

## NP-SC5030HM X-Ray Security Inspection System

NP-SC5030HM X-Ray security inspection system is an advanced security detection system designed for briefcases, postal bags, express mails, hand held parcels, and small packages checking with a world leading x-ray screening and high resolution & multi-energy image processing technology.

With the popular tunnel size of 500mm (W) x 305 (H), compact and portable design, NP-SC5030HM is an high level security inspection solution for hotels, government agencies, transportation hubs, logistics industry, courts, prosecutors, prisons, embassies, factories, schools, hospitals, stadiums, exhibition halls, entertainment venues, etc.



### Key Features

- High performance with HD image, strong penetration, precise recognition
- Adopts windows operating system
- Energy saving and environment protection with low power consumption
- Supports real-time monitoring
- Supports multiple image processing mode
- Supports POST (power on self-test)
- 64X zoom in
- One-touch power off
- Energy-saving working mode for conveyor available
- Shock-proof design
- User friendly interface for easy operation

### System Functions

X-ray Image processing functions:

Color/Black & White, local enhancement, high penetration, low penetration, super enhancement, organic stripping, inorganic stripping, inverse color, light increase, light reduce, grey scale scan, image zoom in, Pseudo Color, organic enhancement, suspicious threat mark alarm, edge enhancement.

System functions:

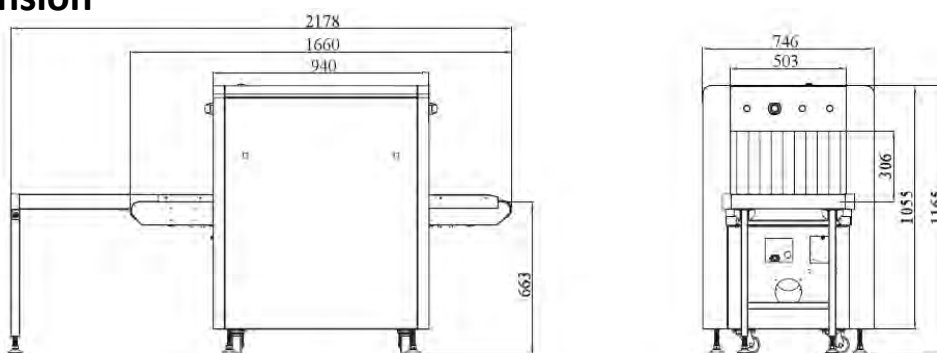
Power on self-diagnosis, multi levels user management, image management, TIP management, curve diagnosis, key board diagnosis, equipment information query, Multi-format image export, OSD operation function, image mirroring, 1-64 times stepless zoom in, magnifying glass, operator training, precise positioning of baggage images, clear channel reminder, one-key shutdown



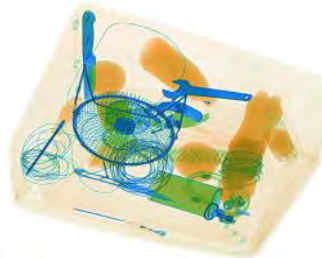
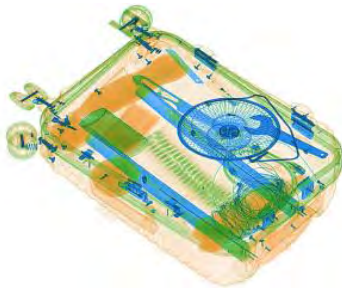
## Specifications

Model	NP-SC5030HM
Tunnel size	503 mm Wx306 mm H
Conveyor speed	0.22 m/s
Conveyor Height	663mm
Max. load	100 kg (220.46 lb)
Penetration (steel)	34mm standard(140KV generator), 38 mm optional(160KV generator), 40+mm by customize
Wire resolution	40AWG
Spatial resolution	Vertical: 1.0 mm Horizontal: 1.0 mm
X-ray dose per inspection	< 4.5 $\mu$ Sv
X-ray leakage	< 1 $\mu$ Sv/h
X-ray generator	Anode Voltage: 140KV standard, 160 KV optional, 100% Oil Cooling, Single generator, vertical beam direction.
Images colors	B/W, Colors
Images storage	10000 images
Film safety	ISO1600
Working temperature	5 °C to 40 ° C (41 °F to 104 °F)
Working humidity	0% to 90%
Power supply	220 VAC (+ 10% to 15%), 50 Hz ( $\pm$ 3 Hz)
Power consumption	0.5 kw
Dimension (L x W x H) without table	1660 mm x 746 mm x 1165 mm (65.35" x 29.37" x 45.87")
Weight	300 kg (661.39 lb)
Extended table	518mm
Accessories	
Extended table	518mm x1 in exit (Included)
LCD monitor	17" LCD Color Monitor x1 included
Dedicated Key board & mouse	Standard included

## Dimension



## Scanned Images



## Available Model

NP-SC5030HM

Distributed by



# HIKVISION®

### Headquarters

No.555 Qianmo Road, Binjiang District,  
Hangzhou 310051, China  
T +86-571-8807-5998  
overseasbusiness@hikvision.com

**Hikvision USA**  
T +1-909-895-0400  
sales.usa@hikvision.com

**Hikvision Australia**  
T +61-2-8599-4233  
salesau@hikvision.com

**Hikvision India**  
T +91-22-28469900  
sales@pramahikvision.com

**Hikvision Canada**  
T +1-866-200-6690  
sales.canada@hikvision.com

**Hikvision Thailand**  
T +662-275-9949  
sales.thailand@hikvision.com

**Hikvision Europe**  
T +31-23-5542770  
sales.eu@hikvision.com

**Hikvision Italy**  
T +39-0438-6902  
info.it@hikvision.com

**Hikvision Brazil**  
T +55 11 3318-0050  
Latam.support@hikvision.com

**Hikvision Turkey**  
T +90 [216]521 7070- 7074  
sales.tr@hikvision.com

**Hikvision Malaysia**  
T +601-7652-2413  
sales.my@hikvision.com

**Hikvision UK & Ireland**  
T +01628-902140  
sales.uk@hikvision.com

**Hikvision South Africa**  
Tel: +27 (10) 0351172  
sale.africa@hikvision.com

**Hikvision France**  
T +33(0)1-85-330-450  
info.fr@hikvision.com

**Hikvision Kazakhstan**  
T +7-727-9730667  
nikia.panfilov@hikvision.ru

**Hikvision Vietnam**  
T +84-974270888  
sales.vt@hikvision.com

**Hikvision UAE**  
T +971-4-4432090  
salesme@hikvision.com

**Hikvision Singapore**  
T +65-6684-4718  
sg@hikvision.com

**Hikvision Spain**  
T +34-91-737-16-55  
info.es@hikvision.com

**Hikvision Tashkent**  
T +99-87-1238-9438  
uzb@hikvision.ru

**Hikvision Hong Kong**  
T +852-2151-1761  
Info.hk@hikvision.com

**Hikvision Russia**  
T +7-495-669-67-99  
saleru@hikvision.com

**Hikvision Korea**  
T +82-(0)31-731-8817  
sales.korea@hikvision.com

**Hikvision Poland**  
T +48-22-460-01-50  
info.pl@hikvision.com

**Hikvision Indonesia**  
T +62-21-2933759  
Sales.Indonesia@hikvision.com

**Hikvision Colombia**  
sales.colombia@hikvision.com