

## DS-2CE16D8T-(A)IT3ZF 2 MP Ultra-Low Light Bullet Camera



### Key Features

- 2 MP high performance CMOS
- Ultra-low light
- 1920 × 1080 resolution
- 2.7 mm to 13.5 mm varifocal lens, auto focus
- 130 dB true WDR, 3D DNR
- Smart IR, up to 80 m IR distance
- 4 in 1 video output (switchable TVI/AHD/CVI/CVBS)
- IP67
- Up the coax (HIKVISION-C)



## Specification

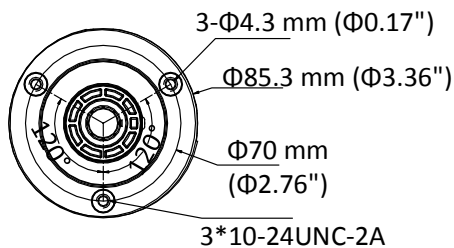
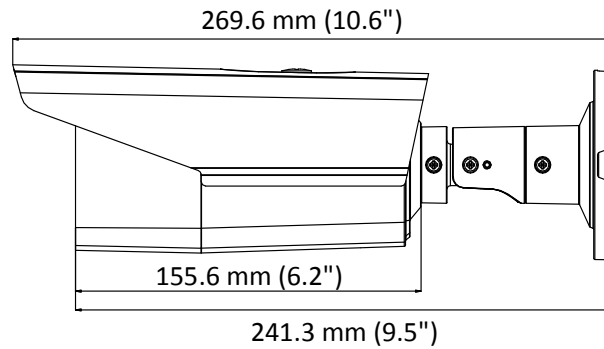
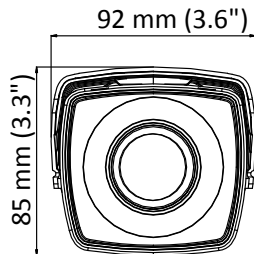
| <b>Camera</b>            |  |
|--------------------------|--|
| Image Sensor             | 2 MP CMOS  |
| Signal System            | PAL/NTSC   |
| Resolution               | 1920 (H) × 1080 (V)  |
| Frame Rate               | PAL: 1080p@25fps<br>NTSC: 1080p@30fps  |
| Min. Illumination        | Color: 0.003 Lux @ (F1.2, AGC ON), 0 Lux with IR   |
| Shutter Time             | PAL: 1/25 s to 1/50, 000 s<br>NTSC: 1/30 s to 1/50, 000 s  |
| Slow Shutter             | MAX. 16 times  |
| Lens                     | 2.7 mm to 13.5 mm motorized, auto focus  |
| Horizontal Field of View | 103° to 32.1°  |
| Lens Mount               | Φ14  |
| Day & Night              | ICR  |
| WDR (Wide Dynamic Range) | ≥ 130 dB   |
| Angle Adjustment         | Pan: 0° to 360°, Tilt: 0° to 90°, Rotate: 0° to 360°   |
| <b>Menu</b>              |  |
| Image Mode               | STD/HIGH-SAT   |
| AGC                      | Yes  |
| Day/Night Mode           | Auto/Color/BW (Black and White)  |
| White Balance            | Auto/Manual  |
| AE (Auto Exposure) Mode  | WDR/BLC/HLC/Global   |
| Privacy Mask             | 4 programmable privacy masks   |
| Motion Detection         | 4 programmable motion areas  |
| NR (Noise Reduction)     | 3D DNR/2D DNR  |
| Language                 | English  |
| Functions                | Brightness, Sharpness, Mirror, Smart IR  |
| <b>Interface</b>         |  |
| Video Output             | Switchable TVI/AHD/CVI/CVBS  |
| <b>General</b>           |  |
| Operating Conditions     | -40 °C to 60 °C (-40 °F to 140 °F), humidity: 90% or less (non-condensing)   |
| Power Supply             | 12 VDC ±25%, 24 VAC ±25%<br><i>*You are recommended to use one power adapter to supply the power for one camera.</i> |
| Power Consumption        | Max. 7.5W,<br>-A: Max. 9W  |
| Ingress Protection       | IP67   |
| Material                 | Metal  |
| IR Range                 | Up to 80 m   |
| Communication            | HIKVISION-C  |
| Dimensions               | 85 mm × 92 mm × 269.6 mm (3.3" × 3.6" × 10.6")   |
| Weight                   | Approx. 910 g (2.01 lb.),<br>-A: Approx. 940 g (2.07 lb.)  |

## Order Models

DS-2CE16D8T-AIT3ZF

DS-2CE16D8T-IT3ZF

## Dimension



Distributed by



### Headquarters

No.555 Qianmo Road, Binjiang District,  
Hangzhou 310051, China  
T +86-571-8807-5998  
overseasbusiness@hikvision.com

**Hikvision USA**  
T +1-909-895-0400  
sales.usa@hikvision.com

**Hikvision Italy**  
T +39-0438-6902  
info.it@hikvision.com

**Hikvision Singapore**  
T +65-6684-4718  
sg@hikvision.com

**Hikvision Africa**  
T +27 (10) 0351172  
sale.africa@hikvision.com

**Hikvision Europe**  
T +31-23-55-42-770  
info.eu@hikvision.com

**Hikvision France**  
T +33(0)1-85-330-450  
info.fr@hikvision.com

**Hikvision Oceania**  
T +61-2-8599-4233  
salesau@hikvision.com

**Hikvision Hong Kong**  
T +852-2151-1761

**Hikvision Middle East**  
T +971-4-8816086  
salesme@hikvision.com

**Hikvision Spain**  
T +34-91-737-16-55  
info.es@hikvision.com

**Hikvision Canada**  
T +1-909-895-0400  
sales.usa@hikvision.com

**Hikvision Russia**  
T +7-495-669-67-99  
saleru@hikvision.com

**Hikvision Poland**  
T +48-22-460-01-50  
poland@hikvision.com

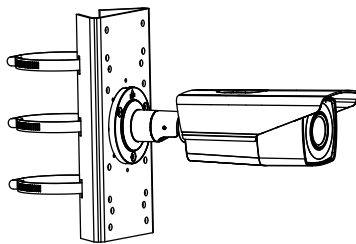
**Hikvision Korea**  
T +82-31-731-8841  
sales.korea@hikvision.com

**Hikvision India**  
T +91-22-28469900  
sales@pramahikvision.com

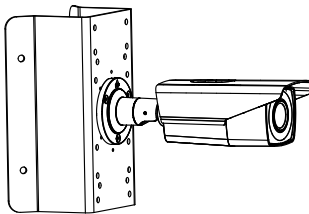
**Hikvision UK**  
T +01628-902140  
support.uk@hikvision.com

**Hikvision Brazil**  
T +55 11 3318-0050  
Latam.support@hikvision.com

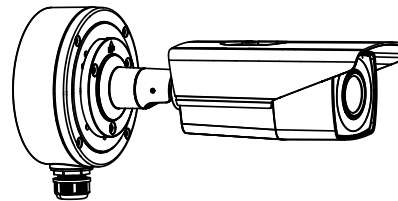
**Accessory**



DS-1275ZJ-SUS  
Vertical pole mount



DS-1276ZJ-SUS  
Corner mount



DS-1280ZJ-S  
Junction box

Distributed by



**HIKVISION**

**Headquarters**

No.555 Qianmo Road, Binjiang District,  
Hangzhou 310051, China  
T +86-571-8807-5998  
overseasbusiness@hikvision.com

**Hikvision USA**  
T +1-909-895-0400  
sales.usa@hikvision.com

**Hikvision Italy**  
T +39-0438-6902  
info.it@hikvision.com

**Hikvision Singapore**  
T +65-6684-4718  
sg@hikvision.com

**Hikvision Africa**  
T +27 (10) 0351172  
sale.africa@hikvision.com

**Hikvision Europe**  
T +31-23-55-42-770  
info.eu@hikvision.com

**Hikvision France**  
T +33(0)1-85-330-450  
info.fr@hikvision.com

**Hikvision Oceania**  
T +61-2-8599-4233  
salesau@hikvision.com

**Hikvision Hong Kong**  
T +852-2151-1761

**Hikvision Middle East**  
T +971-4-8816086  
salesme@hikvision.com

**Hikvision Spain**  
T +34-91-737-16-55  
info.es@hikvision.com

**Hikvision Canada**  
T +1-909-895-0400  
sales.usa@hikvision.com

**Hikvision Russia**  
T +7-495-669-67-99  
saleru@hikvision.com

**Hikvision Poland**  
T +48-22-460-01-50  
poland@hikvision.com

**Hikvision Korea**  
T +82-31-731-8841  
sales.korea@hikvision.com

**Hikvision India**  
T +91-22-28469900  
sales@pramahikvision.com

**Hikvision UK**  
T +01628-902140  
support.uk@hikvision.com

**Hikvision Brazil**  
T +55 11 3318-0050  
Latam.support@hikvision.com