

DS-2TD1217B-3/PA Temperature Screening Thermographic Turret Camera

DeepinView^{series}



Hikvision DS-2TD1217B Temperature Screening Thermographic Turret camera is designed to detect elevated skin-surface temperature with high accuracy in real time. It can be used for preliminary temperature screening in office buildings, factories, stations, airports and other public places.

Key Feature

- 160 × 120 resolution in thermal channel, high sensitivity sensor.
- Temperature range: 30°C to 45°C; temperature accuracy: ±0.5 °C
- Reliable temperature exception alarm function
- 3D DNR, image detail enhancement
- Audio alarm



Specification

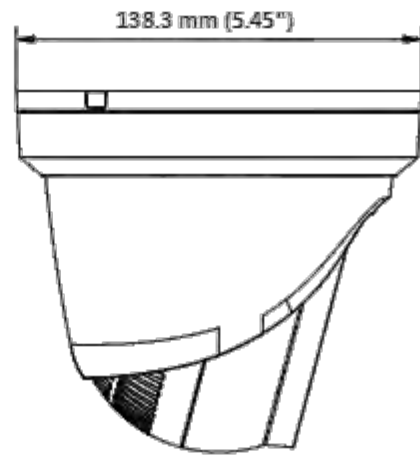
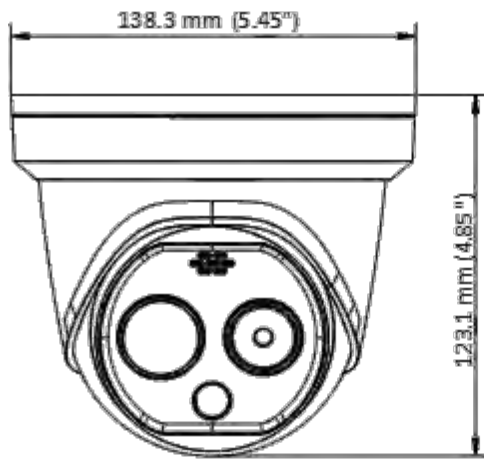
Thermal Module	
Image Sensor	Vanadium Oxide Uncooled Focal Plane Arrays
Max. Resolution	160 × 120 (the resolution of output image is 320 × 240)
Pixel Interval	17 μm
Response Waveband	8 μm to 14 μm
NETD	Less than 40 mK (25°C), F# = 1.1
Lens (Focal Length)	3.1 mm
IFOV	5.48 mrad
Field of View	50° × 37.2° (H × V)
Min. Focusing Distance	0.2 m
Aperture	F1.1
Optical Module	
Max. Image Resolution	2688 × 1520
Image Sensor	1/2.7" Progressive Scan CMOS
Min. Illumination	Color: 0.0089 Lux @ (F1.6, AGC ON), B/W: 0.0018 Lux @ (F1.6, AGC ON)
Shutter Speed	1s to 1/100,000s
Lens (Focal Length)	4 mm
Field of View	84° × 44.8°(H × V)
WDR	120 dB
Day & Night	IR cut filter with auto switch
Image Function	
Bi-spectrum Image Fusion	Fusion view of thermal view and overlaid details of the optical channel
Picture in Picture	Combines details of thermal and optical image PIP, overlay thermal image on optical image
Smart Function	
Temperature Measurement	3 temperature measurement rule types, 21 rules (10 points, 10 areas, and 1 line).
Temperature Range	30 °C to +45 °C
Temperature Accuracy	± 0.5 °C
Infrared	
IR Distance	Up to 15 m
IR Intensity and Angle	Automatically adjusted
Network	
Main Stream	Visible Light: 50Hz: 25fps (2688 × 1520), 25fps (1920 × 1080), 25fps (1280 × 720) Visible Light: 60Hz: 30fps (2688 × 1520), 30fps (1920 × 1080), 30fps (1280 × 720) Thermal: 1280 × 720, 704 × 576, 640 × 480, 352 × 288, 320 × 240
Sub-Stream	Visible Light: 50Hz: 25fps (704 × 576), 25fps (352 × 288), 25fps (176 × 144) Visible Light: 60Hz: 30fps (704 × 480), 30fps (352 × 240), 30fps (176 × 120) Thermal: 704 × 576, 352 × 288, 320 × 240
Video Compression	H.265/H.264/MJPEG

Audio Compression	G.711u/G.711a/G.722.1/MP2L2/G.726/PCM
Protocols	TCP/IP, ICMP, HTTP, HTTPS, FTP, DHCP, DNS, DDNS, RTP, RTSP, RTCP, PPPoE, NTP, UPnP, SMTP, SNMP, IGMP, 802.1X, QoS, IPv6, UDP, Bonjour
Simultaneous Live View	Up to 20
User/Host Level	Up to 32 users, 3 levels: Administrator, Operator, User
Security Measures	User authentication (ID and PW), MAC address binding, HTTPS encryption, IEEE 802.1x access control, IP address filtering
Integration	
Alarm Input	1-ch inputs (0-5 VDC)
Alarm Output	1-ch relay outputs, alarm response actions configurable
Alarm Action	SD recording/relay output/smart capture/FTP upload/email linkage/audio alarm/white light alarm
Audio Input	1, 3.5 mm Mic in/Line in interface. Line input: 2 - 2.4 V [p-p], output impedance: 1 kΩ ± 10%
Audio Output	Linear level; impedance: 600 Ω
Reset	1 Reset Button
Communication Interface	1, RJ45 10M/100M Self-adaptive Ethernet interface. 1, RS-485 interface
SD Memory Card	Built-in MicroSD card slot, supporting MicroSD/SDHC/SDXC card (up to 256 G), supports manual/alarm recording
Application Programming	Open-ended API, supporting ISAPI, HIKVISION SDK, and third-party management platform
Client	iVMS-4200, Hik-Connect
Web Browser	IE9+, chrome31-44, Firefox 30-51, Safari 5.02+ (mac)
General	
Menu Language	32 languages English, Russian, Estonian, Bulgarian, Hungarian, Greek, German, Italian, Czech, Slovak, French, Polish, Dutch, Portuguese, Spanish, Romanian, Danish, Swedish, Norwegian, Finnish, Croatian, Slovenian, Serbian, Turkish, Korean, Traditional Chinese, Thai, Vietnamese, Japanese, Latvian, Lithuanian, Portuguese (Brazil)
Power	12 VDC ± 20%, two-core terminal block PoE (802.3af, class 3)
Power Consumption	12 VDC ± 20%: 0.5 A, max. 6 W PoE (802.3af, class 3): 42.5 V to 57 V, 0.14 A to 0.22 A, max. 6.5 W
Working Temperature/Humidity	10 °C to 35 °C (Indoor and windless environment use only) 95% or less
Protection Level	IP66 Standard, TVS 6000V Lightning protection, surge protection, voltage transient protection
Dimension	138.3 mm × 138.3 mm × 123.1 mm (5.45" × 5.45" × 4.85")
Weight	940 g (2.07 lb)

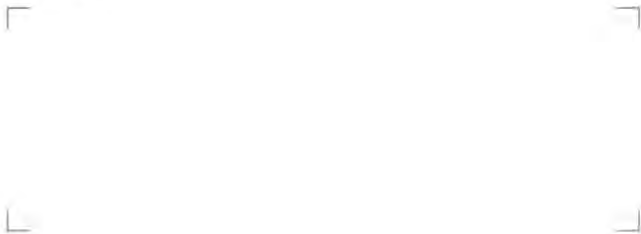
Available Model

DS-2TD1217B-3/PA

Dimension



Distributed by

**HIKVISION®****Headquarters**

No.555 Qianmo Road, Binjiang District,
Hangzhou 310051, China
T +86-571-8807-5998
overseasbusiness@hikvision.com

Hikvision USA
T +1-909-895-0400
sales.usa@hikvision.com

Hikvision Australia
T +61-2-8599-4233
salesau@hikvision.com

Hikvision India
T +91-22-28469900
sales@pramahikvision.com

Hikvision Canada
T +1-866-200-6690
sales.canada@hikvision.com

Hikvision Thailand
T +662-275-9949
sales.thailand@hikvision.com

Hikvision Europe
T +31-23-5542770
sales.eu@hikvision.com

Hikvision Italy
T +39-0438-6902
info.it@hikvision.com

Hikvision Brazil
T +55 11 3318-0050
Latam.support@hikvision.com

Hikvision Turkey
T +90 (216)521 7070- 7074
sales.tr@hikvision.com

Hikvision Malaysia
T +601-7652-2413
sales.my@hikvision.com

Hikvision UK & Ireland
T +01628-902140
sales.uk@hikvision.com

Hikvision South Africa
Tel: +27 (10) 0351172
sale.africa@hikvision.com

Hikvision France
T +33(0)1-85-330-450
info.fr@hikvision.com

Hikvision Kazakhstan
T +7-727-9730667
nikia.panfilov@hikvision.ru

Hikvision Vietnam
T +84-974270888
sales.vt@hikvision.com

Hikvision UAE
T +971-4-4432090
salesme@hikvision.com

Hikvision Singapore
T +65-6684-4718
sg@hikvision.com

Hikvision Spain
T +34-91-737-16-55
info.es@hikvision.com

Hikvision Tashkent
T +99-87-1238-9438
uzb@hikvision.ru

Hikvision Hong Kong
T +852-2151-1761
info.hk@hikvision.com

Hikvision Russia
T +7-495-669-67-99
saleru@hikvision.com

Hikvision Korea
T +82-(0)31-731-8817
sales.korea@hikvision.com

Hikvision Poland
T +48-22-460-01-50
info.pl@hikvision.com

Hikvision Indonesia
T +62-21-2933759
Sales.Indonesia@hikvision.com

Hikvision Colombia
sales.colombia@hikvision.com