

70 SERIES HC70WZ5I30



5 MP Network TDN WDR In-Ceiling Speed Dome Camera



| OPERATIONAL | |
|----------------------------------|---|
| Video Standard | NTSC/PAL |
| Scanning System | Progressive |
| Image Sensor | IMX335, 1/2.8 in CMOS |
| Sensor Size (H x V) | 5,18 mm x 3,89 mm |
| Number of Pixels (H x V) | 4:3 5 MP (2592 x 1944) 16:9 4 MP (2560 x 1440) |
| Minimum Illumination (Color/BW) | Color: 0.005 Lux @ F1.4; B/W: 0 Lux @ F1.4 (IR on) |
| S/N Ratio | >50 dB |
| Electronic Shutter Speed | 1/1 ~ 1/32000 |
| Day/Night | Auto (ICR)/Color/BW |
| Backlight Compensation | WDR, BLC, HLC |
| White Balance | Auto/Fixed Current/Manual |
| Wide Dynamic Range | 130 dB |
| Noise Reduction | 3D DNR |
| Lens | 30x Optical Zoom, Auto Focus, 5,2 mm ~ 148,4 mm, DC-IRIS, F1.3 ~ F4.8 |
| Angle Of View (H x V x D) | H: 55° ~ 2.64° V: 42° ~ 1.98° |
| Privacy Masking | Off/On (24 areas) |
| Defog | Support |
| Encryption Chipset | Built-in FIPS 140-2 certified encryption chipset |
| Local Storage | Micro SD/SDHC/SDXC slot, support up to 2 TB |
| Alarm Inputs/Outputs | 2 In/1 Out |
| PTZ | |
| Pan Speed | 0.1° ~ 430°/sec. |
| Pan Range | 360° endless |
| Tilt Speed | 0.1°~200°/sec. (0° to -90° travelling distance) |
| Tilt Range | 0° to -90°, auto flip (bubble design, mechanical interference applied) |
| Preset Locations | 256 presets, 16 tours, 4 patterns |
| Preset Accuracy | 0.1° |
| Auto Pan Scan | Support |
| Auto Tracking | Support |
| Auto Resume After Power Failure | Resume to home position |
| VIDEO | |
| Smart Video Analytics (Built-in) | Intrusion detection, loiter detection, line crossing, face detection, object left unattended, object removed, motion detection, tampering detection |
| Compression | H.265 HEVC/H.264/MJPEG, Smart Codec |
| Resolution | 2592 x 1944 (5M), 2688 x 1520 (4M), 2048 x 1536 (3M), 1920 x 1080 (2M), 1280 x 960, 1280 x 720 (1M), 800 x 600, 640 x 480, 640 x 360, 320 x 240 |
| Number of Video Streams | 3 |
| Frame Rate Main Stream | 30 fps (5 M mode), 60 fps (2 M mode) |
| Frame Rate Second Stream | 30 fps (5 M mode), 60 fps (2 M mode) |
| Frame Rate Third Stream | 30 fps (5 M mode), 60 fps (2 M mode) |
| Bit Rate | 16 K – 80 Mbps |

| AUDIO | |
|-------------------------|--|
| Compression | G.711/G.726 |
| Stream | 2-way, full duplex |
| Interface | Line In/Out |
| NETWORK | |
| Ethernet | 10 Base-T/100 Base-TX Ethernet (RJ-45) |
| Supported Web Browsers | Mozilla Firefox™, Chrome™, Microsoft® Edge™ |
| Supported OS | Microsoft® Windows™ 10 |
| Protocols* | IPv4, IPv6, TCP/IP, HTTP, HTTPS, UPnP, RTSP/RTP/RTCP, IGMP/Multicast, SMTP, DHCP, NTP, DNS, DDNS, CoS, QoS, SNMP, 802.1X, UDP, ICMP, ARP, TLS |
| Interoperability | ONVIF Profile G/S/T |
| Maximum Users Access | 10 Users |
| Security | User account and password protection, HTTPS, IP filter, digest authentication, TLS1.2 only, stream encryption, AES128/256, SSH/Telnet closed, PCIDSS compliance, FIPS 140-2 certified chipset built-in |
| Languages Supported | English, French, German, Italian, Japanese, Portuguese, Russian, Spanish, Traditional Chinese |
| ELECTRICAL | |
| Power Supply | 48 VDC/24 VAC (50/60 Hz), POE+ |
| Power Consumption (Max) | 25 W |
| MECHANICAL | |
| Dimensions (W x H) | Ø222,0 mm x 267,5 mm (Ø8.74 in x 10.53 in) |
| Dome Diameter | Ø151,0 mm (Ø5.94 in) |
| Product Weight | 3,8 kg (8.38 lb) |
| Package Weight | 4,0 kg (8.82 lb) |
| Body Material | Polycarbonate/Metal (die casting aluminum with powder coating) |
| Color | RAL 120-1 (Honeywell white)/Pantone black |
| ENVIRONMENTAL | |
| Operating Temperature | -10°C ~ 50°C (14°F ~ 122°F) |
| Relative Humidity | 10 % ~ 90 % |
| Ingress Protection | IP52 |
| Impact Resistance | IK10 |
| Fan | Yes |
| REGULATORY | |
| Emissions | FCC PART 15, CE (EN 55032), comply with RCM and UKCA |
| Immunity | CE (EN 50130-4), comply with RCM and UKCA |
| Safety | UL LISTED TO UL/CSA 62368-1, CE (EN 62368-1), UL/CSA 60950-22, CE(EN 60950-22), comply with UKCA |
| RoHS | CE (EN 50581), EAC (TR EAEU 037/2016), UAE(Cabinet Decree No.10 of 2017) |
| Country of Origin | Taiwan |

Honeywell

70 Series 5MP Network TDN WDR In-Ceiling Speed Dome Camera Technical Specifications

SYSTEM COMPATIBILITY

| | |
|---------------------|--|
| Pro-Watch NVR | Up to 256 IP channels RAID5/6 Enterprise NVR |
| Maxpro NVR PE | Up to 128 IP channels RAID5/6 Enterprise NVR |
| Maxpro NVR SE | Up to 64 IP channels system NVR |
| Maxpro NVR XE | Up to 16 IP channels system NVR |
| Maxpro NVR Software | Up to 128 IP channels recording software |
| Honeywell DVM | Supported with Honeywell DVM R700.1 SP1 (and later maintenance releases) |

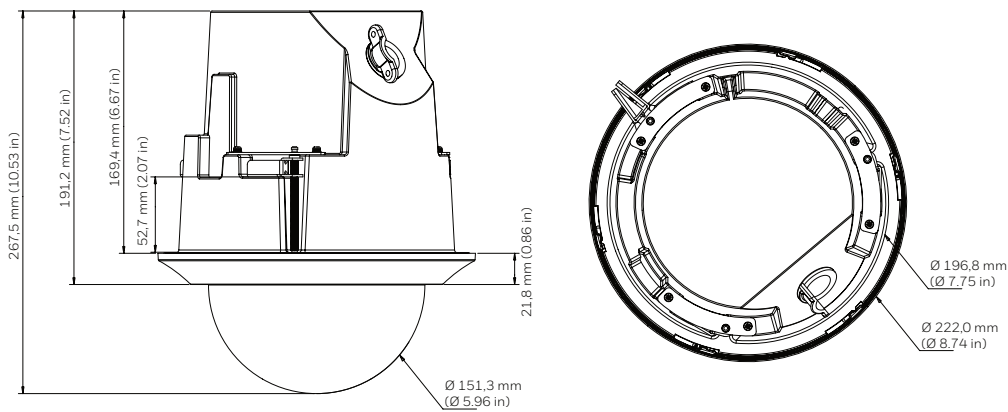
OPTIONAL MOUNTS AND ACCESSORIES

| | |
|---------|---|
| HA70SB5 | 70s In-ceiling PTZ camera smoked bubble |
|---------|---|

ORDERING*

| | |
|------------|--|
| HC70WZ5I30 | Network TDN WDR in-ceiling speed dome camera, 30X optical zoom, 1/2.8 in 5 megapixel progressive scan CMOS PoE+, H.265 |
|------------|--|

DIMENSIONS



For More Information

buildings.honeywell.com/security

Honeywell Commercial Security

715 Peachtree St NE
Atlanta, GA 30308
1.800.323.4576
www.honeywell.com



Microsoft®, Windows™, Edge™ are trademarks or registered trademarks of Microsoft, Inc. in the United States and other countries.

Firefox™ is a trademark of the Mozilla Foundation in the U.S. and other countries.

Google Chrome™ is a trademark of Google LLC in the U.S. and other countries.

ONVIF and the ONVIF logo are trademarks of ONVIF Inc.

HEVC Advance logo is a trademark of HEVC Advance.

Honeywell reserves the right, without notification, to make changes in product design or specifications.

HSV-HC70WZ5I30-02-US(0422)DS-IL
© 2022 Honeywell International Inc.

Honeywell