

**DS-KIS703-P**

**Video Intercom Two-Wire Bundle**

**HIKVISION**



## Key Feature

### Two-Wire Indoor Station

- Easy, Cost-Efficient Installation
- 7 inch Touch-Screen, User Friendly Interface, Plug & Play
- Receives Video Call And Unlocks On Mobile App Anywhere, Anytime

### Villa Door Station

- High quality imaging with 2 MP resolution
- Easy, Cost-Efficient Installation
- User Friendly Design, Name tag, Communication status LED indicator
- IP65 water resistant, preventing water ingress for outdoor use

## Specification

### Two-Wire Villa Door Station

#### System parameters

Operation system	Embedded Linux operation system
Operation method	Single-button
Flash	32 MB
RAM	256 M

#### Video Parameters

Camera	2MP HD camera
Night vision	Low illumination IR supplement mode:3 m
BLC	Support
DNR	Support
WDR	True WDR
Field of view	Horizontal: 144° Vertical: 95°
Video compression standard	H.264
Stream	Main stream: 1080p@30fps, 720p@30fps Sub stream: 4CIF
Resolution	Main stream: 1920 × 1080p, 720p Sub stream: 704 × 576
Motion detection	Support
Anti-flicker frequency	50 Hz, 60 Hz

#### Audio parameters

Audio intercom	Two-way audio communication
Audio input	Built-in omnidirectional microphone
Audio output	Built-in loudspeaker
Audio compression standard	G.711 U, G.711 A
Audio compression Rate	64 Kbps
Audio quality	Noise suppression and echo cancellation

#### Network parameters

Wired network	10/100 Mbps Ethernet
Network protocol	TCP/IP, RSTP

#### Access control parameters

Reading frequency	Not supported
Relay	2

#### Interfaces

Output	12 V/1 A output
Debugging port	1
Alarm input	2
Grounding	1
Two-wire interface	1
TAMPER switch	1

#### General

Protection level	IP65
Indicator	3
Power supply	From indoor station

Power consumption	< 10 W
Heater	Support
Working temperature	-40° C to +60° C(-40° F to 140° F)
Working humidity	10% to 95%
Dimension	169 × 110 × 31 mm (6.54" × 4.33" × 1.22")
Installation	Surface mounting, flush mounting
Weight	476 g

### Indoor Station

#### System parameters

Memory	128 MB
Flash	32 MB
Operation system	Embedded Linux operation system

#### Display parameters

Display screen	7-inch TFT touch screen
Display resolution	1024 × 600
Operation method	Capacitive touch screen
Brightness	Adjustable

#### Audio parameters

Audio input	Built-in microphone
Audio output	Built-in loudspeaker
Volume	Local adjustable
Audio compression standard	G.711 U, G.711 A
Audio quality	Noise suppression and echo cancellation

#### Network parameters

Wired network	10/100 Mbps self-adaptive
Wireless network	Wi-Fi 802.11 b/g/n

#### Interfaces

Two-wire interface	1
Alarm input	8
Debugging port	1 channel reserved
RS485	1

#### General

Power supply	24 VDC
Power consumption	≤ 8 W
Working temperature	-10 °C to 55 °C (14 °F to 131 °F)
Working humidity	10% to 90%
Dimension	200 × 140 × 23.6 mm (7.87" × 5.51" × 0.93")
Weight	334.5 g

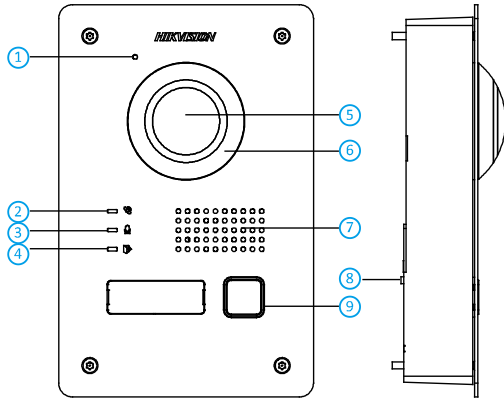
## Available Model

DS-KIS703-P

## Appearance and Interfaces

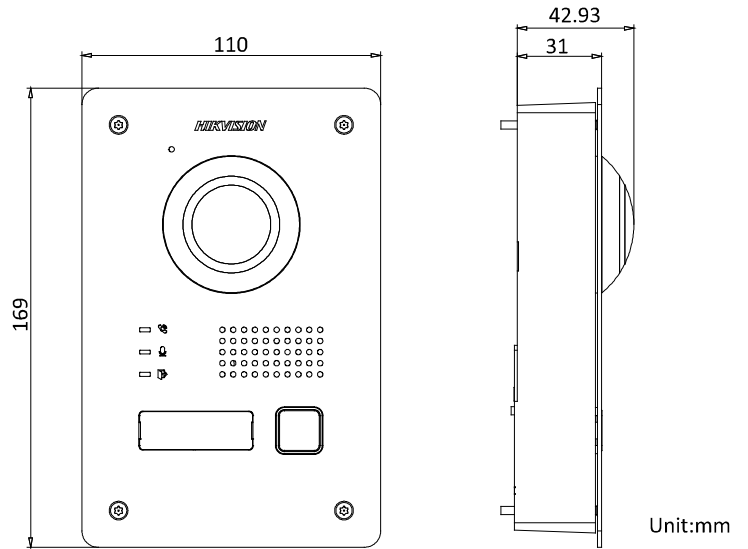
## Dimension

### Two-Wire Villa Door Station



No.	Description	No.	Description
1	Microphone	6	Supplement Light
2	Calling Indicator	7	Loudspeaker
3	Speaking Indicator	8	TAMPER
4	Open Door Indicator	9	Call Button
5	Built-in Camera		

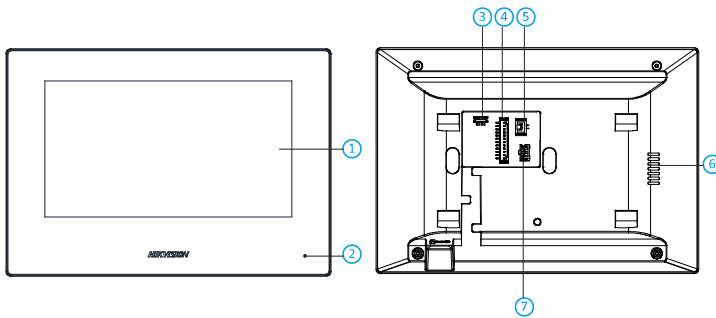
### Two-Wire Villa Door Station



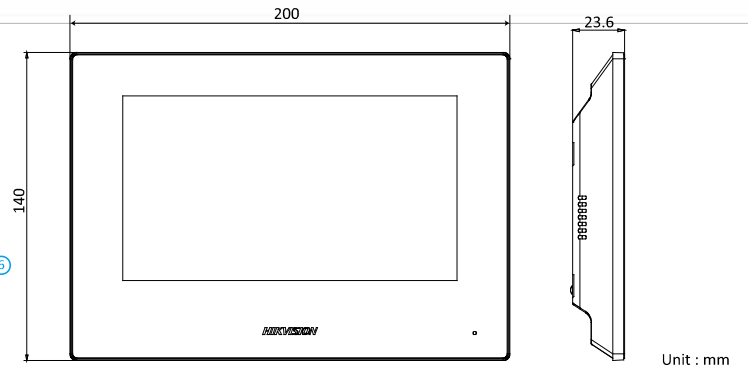
Unit:mm

### Two-Wire Indoor Station

#### Two-Wire Indoor Station



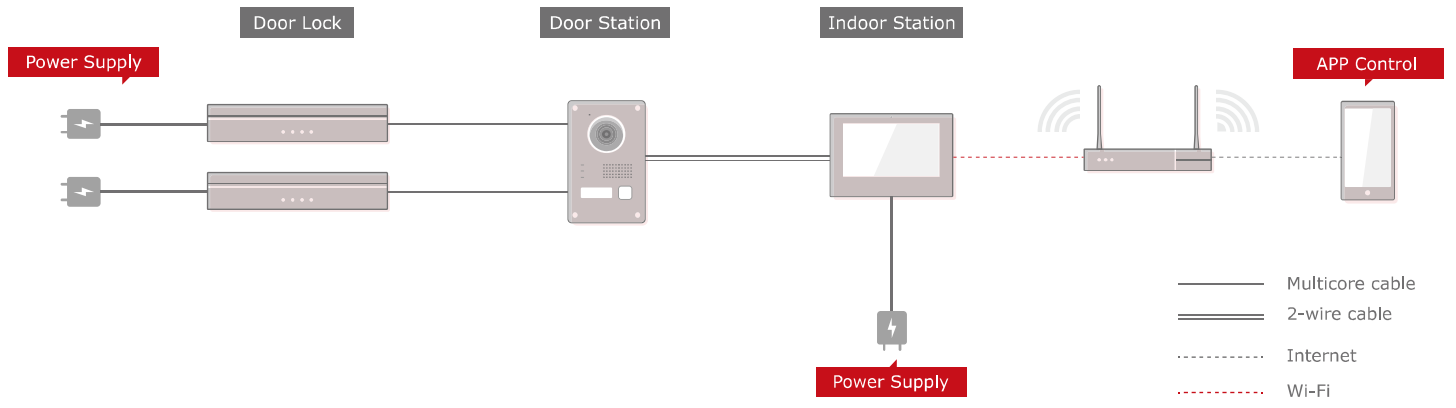
No.	Description	No.	Description
1	Display Screen	5	Two-Wire Interface
2	Microphone	6	Loudspeaker
3	Debugging Port	7	Power Supply Interface
4	Alarm Terminal		



Unit : mm

Note: The debugging port is used for debugging only.

## Typical Application





Distributed by:



## HIKVISION®

### Headquarters

No.555 Qianmo Road, Binjiang District,  
Hangzhou 310051, China  
T +86-571-8807-5998  
overseasbusiness@hikvision.com

**Hikvision USA**  
T +1-909-895-0400  
sales.usa@hikvision.com

**Hikvision Australia**  
T +61-2-8599-4233  
salesau@hikvision.com

**Hikvision India**  
T +91-22-28489900  
sales@premahikvision.com

**Hikvision Canada**  
T +1-866-200-6890  
sales.canada@hikvision.com

**Hikvision Thailand**  
T +662-275-9949  
sales.thailand@hikvision.com

**Hikvision Europe**  
T +31-23-5542770  
sales.eu@hikvision.com

**Hikvision Italy**  
T +39-0438-6902  
info.it@hikvision.com

**Hikvision Brazil**  
T +55 11 3318-0050  
Latam.support@hikvision.com

**Hikvision Turkey**  
T +90 (216)521 7070- 7074  
sales.tr@hikvision.com

**Hikvision Malaysia**  
T +601-7652-2413  
sales.my@hikvision.com

**Hikvision UK & Ireland**  
T +01628-902140  
sales.uk@hikvision.com

**Hikvision South Africa**  
Tel: +27 (10) 0351172  
sale.africa@hikvision.com

**Hikvision France**  
T +33(0)1 85-330-450  
info.fr@hikvision.com

**Hikvision Kazakhstan**  
T +7-727-9730667  
nikia.panfilov@hikvision.ru

**Hikvision Vietnam**  
T +84-974270888  
sales.vt@hikvision.com

**Hikvision UAE**  
T +971-4-4432090  
salesme@hikvision.com

**Hikvision Singapore**  
T +65-6684-4718  
sg@hikvision.com

**Hikvision Spain**  
T +34-91-737-16-55  
info.es@hikvision.com

**Hikvision Tashkent**  
T +99-87-1238-9438  
uzb@hikvision.ru

**Hikvision Hong Kong**  
T +852-2151-1761  
info.hk@hikvision.com

**Hikvision Russia**  
T +7-495-669-67-99  
saleru@hikvision.com

**Hikvision Korea**  
T +82-(0)31-731-8817  
sales.korea@hikvision.com

**Hikvision Poland**  
T +48-22-460-01-50  
info.pl@hikvision.com

**Hikvision Indonesia**  
T +62-21-2933759  
Sales.Indonesia@hikvision.com

**Hikvision Colombia**  
sales.colombia@hikvision.com