

60 SERIES HC60WZ2E30



2MP Network TDN WDR 30X Outdoor Speed Dome Camera



OPERATIONAL

Video Standard	NTSC / PAL
Scanning System	Progressive
Image Sensor (Size : H x V)	1/2.8" CMOS (5.57 x 3.13 mm)
Number Of Pixels (H x V)	2 MP (1920 x 1080)
Min. illumination (Color/B/W)	Color: 0.1 Lux @F1.6, B/W: 0.005Lux @F1.6
S/N Ratio	55 dB
Electronic Shutter Speed	1/10000 ~ 1/1
IR Light Control	External IR trigger by output
Day/Night	Auto / Day / Night / Synchronize with digital input / Schedule
Backlight Compensation	WDR, BLC, HLC
White Balance	Auto / Fixed Current / Manual
Wide Dynamic Range	>120 dB
Noise Reduction	3D DNR
Lens	30x Optical Zoom, Auto Focus, 4.3 mm ~ 129 mm, DC-IRIS, F 1.6 ~ F 4.7
Electronic Image Stabilization	Support
Angle Of View	H: 64° ~ 2°, V: 36° ~ 1°
G-Sensor	Support Camera Direction OSD Display (Default - Off)
Privacy Masking	Off / On (24 Areas)
Defog	Support
Encryption Chipset	Built-in FIPS encryption Chipset
Local Storage	Micro SD / SDHC / SDXC card slot (up to 256 GB), SD Card encryption
Micro USB	Support Wifi Dongle for configuration
Alarm Inputs / Outputs	4 In / 2 Out

PTZ

Pan Speed	0.05° ~ 450° / sec.
Pan Range	360° endless
Tilt Speed	0.05° ~ 450° / sec.
Tilt Range	220° (-110° ~ + 110°)
Preset Locations	256 preset locations, 128 presets per patrol
Preset Accuracy	0.1°
Auto Pan Scan	Support
Auto Tracking	Support
Auto Resume After Power Failure	Resume to home position

VIDEO

Video Compression	H.265 HEVC / H.264 / MJPEG, Smart Codec
Resolution (16/9)	1920 x 1080 / 1280 x 720 / 640 x 360
Number of Video Streams	3
Frame Rate Main Stream	1920 x 1080 / 1280 x 720 / 640 x 360 (1-50 / 60 fps)
Frame Rate Second Stream	1280 x 720 / 640 x 360 (1-50 / 60 fps)
Frame Rate Third Stream	640 x 360 (1-50 / 60 fps)
Bit Rate (Control)	20 K ~ 80 Mbps

AUDIO

Audio Compression	G.711a / G.711 Mu / G.726
Audio Stream	Full duplex
Audio Interface	Line In / Out

NETWORK

Ethernet	10 Base-T / 100 Base-TX Ethernet (RJ-45)
Supported Web Browsers	Chrome 79.0 Internet Explorer 11
Supported OS	Microsoft Windows 10
Protocols*	IPv4, IPv6, TCP / IP, HTTP, HTTPS, UPnP, RTSP / RTP / RTCP, IGMP / Multicast, CIFS / SMB, SMTP, DHCP, NTP, DNS, DDNS, CoS, QoS, SNMP, 802.1X, UDP, ICMP, ARP, TLS
Interoperability	ONVIF Profile G / S
Maximum Users Access	10 Users
Security	User account and password protection, HTTPS, IP Filter, Digest authentication, TLS1.2 only, Stream encryption, AES128 / 256, SSH / Telnet closed, PCIDSS compliance, FIPS Chipset Built-In
Languages Supported	English, French, German, Italian, Japanese, Portuguese, Russian, Spanish, Traditional Chinese

ELECTRICAL

Power Supply	24 VDC / 24 VAC (50 / 60 Hz), 60 W UPOE
Power Consumption	MAX 48 W / 26 W (Heater on / off)

MECHANICAL

Dimensions (Ø x H)	Ø 222.8 mm x 221.3 mm (Ø 8.8" x 8.7")
Dome diameter	162.0mm (6.4")
Product Weight	3.072 kg (6.77 lb)
Package Weight	4.19 kg (9.24 lb)
Material	Metal (die casting aluminum with powder coating)
Construction Color	RAL 120-1 (Lyric White)

ENVIRONMENTAL

Operating Temperature	Starting and Working Temperature: -40°C ~ 60°C (-40°F ~ 140°F)
Relative Humidity	Less than 90 %, non-condensing
Ingress Protection	IP66/IP68/NEMA 4X
Impact Resistance	IK10
Heater	Turn on under -5°C; Turn off over 0°C

REGULATORY

Emissions	FCC PART 15, CE (EN 55032)
Immunity	CE (EN 50130-4)
Safety	UL LISTED TO UL / CSA 62368-1, CE (EN 62368-1), UL / CSA 60950-22, CE (EN 60950-22)
RoHS	CE (EN 50581), EAC (TR EAEU 037 / 2016), UAE (Cabinet Decree No.10 of 2017)
Country of Origin	Taiwan

* Some development may be required in specific user cases to support some of these protocols in the field as they mature over time.

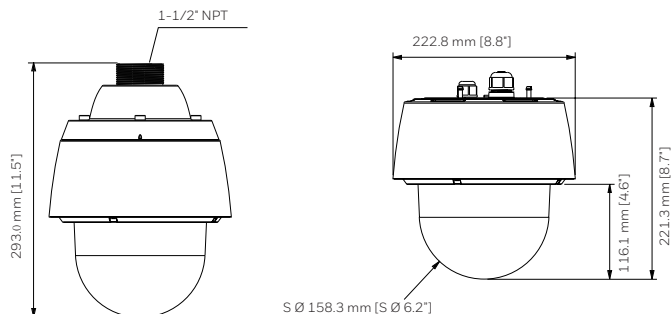
60 SERIES 2MP NETWORK TDN WDR 30X OUTDOOR SPEED DOME CAMERA

SYSTEM COMPATIBILITY		OPTIONAL MOUNTS AND ACCESSORIES	
Pro-Watch NVR	Up to 256 IP channels RAID5 / 6 Enterprise NVR	HA60PCMZ	Pendant Mount Bracket, 1.5 NPT
MAXPRO NVR PE	Up to 128 IP channels RAID5 / 6 Enterprise NVR	HA60PLMZ	PTZ Pole Mount Bracket, white
MAXPRO NVR SE	Up to 64 IP channels System NVR	HA60CNMZ	PTZ Corner Mount Bracket, white
MAXPRO NVR XE	Up to 16 IP channels System NVR	HA60ICMZ	PTZ In ceiling Mount Bracket , white
MAXPRO NVR SOFTWARE	Up to 128 IP channels Recording Software	HA60WLMZ	PTZ Wall Mount Bracket, 1.5 NPT, white
ADPRO NVR FASTTRACE 2E	Up to 32 IP channels with up to 32 VA channels NVRs	HA60WIF	Wifi dongle and USB adapter for camera configuration
ADPRO NVR iFT-E	Up to 32 IP channels with up to 32 VA channels NVRs	HA60POEZ	UPOE Injector
ADPRO NVR iFT	Up to 32 IP channels or 16 IP channels with up to 16 VA channels NVRs	HA60CB6	Replacement Dome, 60 series Speed Dome Bubble (Clear)
ADPRO NVR iFT GATEWAY	4 IP channels + 4 VA channels	HA60SB6	Replacement Dome, 60 series Speed Dome Bubble (Smoke)
HEN*4	8 / 16 / 32 / 64-channel Performance Series NVRs (H.264 and H.265)		
Honeywell DVM	Supported with Honeywell DVM R700 , DVM R620		

ORDERING	
HC60WZ2E30	2 MP Network PTZ Outdoor Dome, WDR>120 dB, 1/2.8" CMOS, 30X Optical Zoom, TDN, H.265 HEVC Smart Codec, UPoE, 24 VAC / DC, IP68 / IK10 / NEMA4X, White

DIMENSIONS

WITH HA60PCMZ PENDANT MOUNT BRACKET



For more information

www.security.honeywell.com/uk
www.security.honeywell.com/me

Honeywell Commercial Security

Emaar Business Park, Sheikh Zayed Road
 Building No. 2, 2nd floor, 201
 Post Office Box 232362
 Dubai, United Arab Emirates
 Tel: +971 4 450 5800



Building 5 Carlton Park
 King Edward Avenue
 Narborough
 Leicester
 LE19 0AL
 Tel: +44 (0)1163 500714
www.honeywell.com

ONVIF and the ONVIF logo are trademarks of ONVIF Inc.
 HEVC Advance logo is a trademark of HEVC Advance
 Honeywell reserves the right, without notification, to
 make changes in product design or specifications.

HSV-HC60WZ2E30-02-UK(0222)DS-Y
 © 2022 Honeywell International Inc.

Honeywell