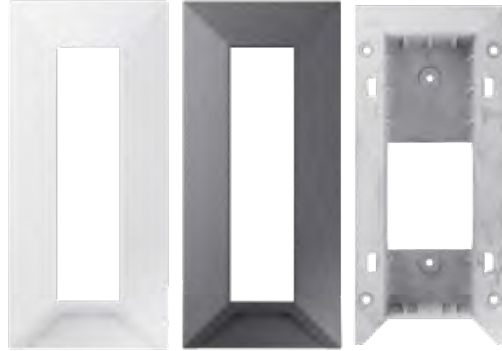


SHS-165F

Flush Mount with Cover



FC |  | CE | ENEC

Key Features

- Material : Poly Carbonate, Aluminium
- Dimensions : 98.2(W)x52.7(D)x214.3(H)mm(3.87x2.07x8.44")
- Weight: 185g(0.41lb)

Environmental

Operating Temperature / Humidity	-30°C~+55°C(-22°F~+131°F) / 0~100% RH
---	---------------------------------------

Storage Temperature / Humidity	-30°C~+55°C(-22°F~+131°F) / 0~100% RH
---------------------------------------	---------------------------------------

Mechanical

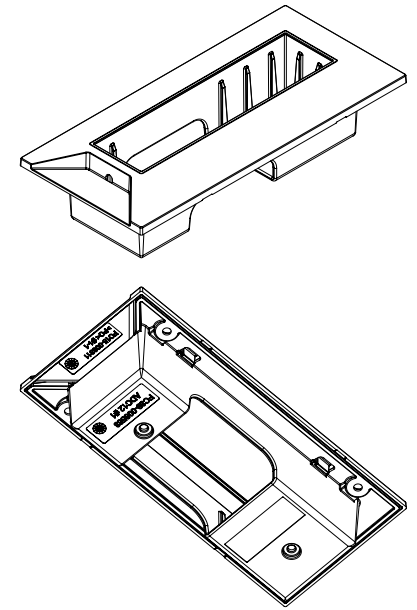
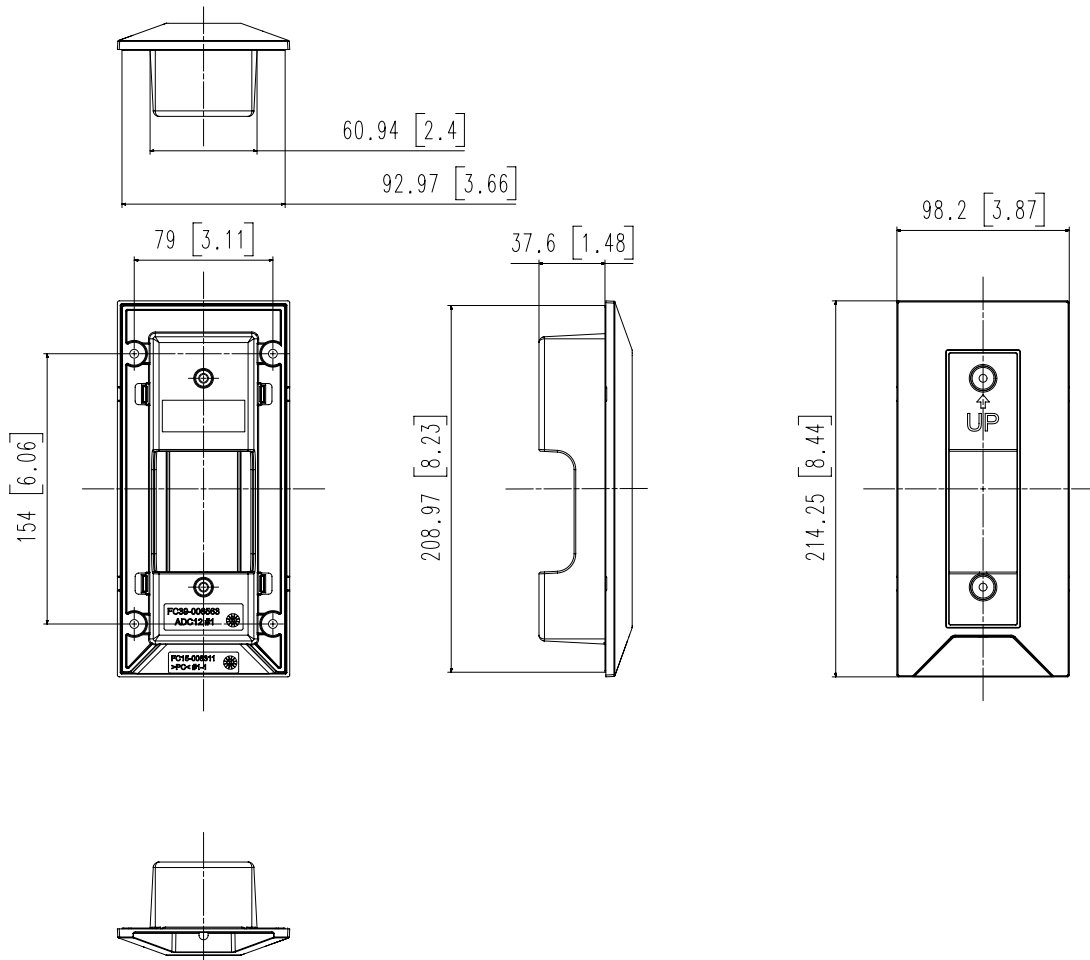
Color	White, Dark gray
--------------	------------------

Material	Poly Carbonate, Aluminium
-----------------	---------------------------

Product dimensions / weight	98.2(W)x52.7(D)x214.3(H)mm(3.87x2.07x8.44"), 185g(0.41lb)
------------------------------------	---

Supported products	TID-600R
---------------------------	----------

- The latest product information / specification can be found at hanwha-security.com
- Design and specifications are subject to change without notice.
- Wisenet is the proprietary brand of Hanwha Techwin, formerly known as Samsung Techwin.



3	파생 MODEL2	
2	파생 MODEL1	
1	SHS-165F	21.08.06
No.	MODEL NAME	DATE
Unit:mm[inch]		SCALE:1/1
Hanwha Techwin		