

## DS-2XE6222F-IS, DS-2XE6222F-IS/316L 2 MP Explosion-Proof Network Bullet Camera



II 2 G D Ex db IIC T6 Gb/Ex tb IIIC T80°C Db IP68  
Ex db IIC T6 Gb/Ex tb IIIC T80°C Db IP68

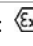
### Key Features

- Up to 2 MP high resolution
- 4 mm/6 mm/8 mm/12 mm lens optional
- 120dB Wide Dynamic Range
- H.265, H.265+, H.264, H.264+
- Three video streams
- 6 behavior analyses, 2 exception detections, 1 recognition
- Support on-board storage, up to 128GB
- Housing material: stainless steel 304 and 316L, optional
- IR range: 30 m
- AC 100V to 240V/PoE
- IK10



## Specifications

| <b>Camera</b>                  |  |
|--------------------------------|--|
| Image Sensor                   | 1/2.7" Progressive Scan CMOS   |
| Min. Illumination              | 0.01Lux @(F1.2,AGC ON) ,0 Lux with IR on   |
| Shutter Speed                  | 1 s to 1/100,000 s, support slow shutter   |
| Lens                           | 4 mm, horizontal field of view: 91°<br>6 mm, horizontal field of view: 60°<br>8 mm, horizontal field of view: 41.5°<br>12 mm, horizontal field of view: 26.6°                                  |
| Lens Mount                     | M12  |
| Day &Night                     | IR cut filter  |
| DNR                            | 3D DNR   |
| Wide Dynamic Range             | 120dB  |
| <b>Compression Standard</b>    |  |
| Video Compression              | Main stream: H.265/H.264<br>Sub stream: H.265/H.264/MJPEG<br>Third stream: H.265/H.264   |
| H.264 Type                     | Baseline profile/main profile/high profile   |
| H.264+                         | Support  |
| H.265 Type                     | Main profile   |
| H.265+                         | Support  |
| Video Bit Rate                 | 32 Kbps to 16 Mbps   |
| <b>Image</b>                   |  |
| Max. Resolution                | 1920 × 1080  |
| Main Stream<br>Max. Frame Rate | 50Hz: 25fps (1920 × 1080, 1280 × 960, 1280 × 720)<br>60Hz: 30fps (1920 × 1080, 1280 × 960, 1280 × 720)   |
| Sub Stream<br>Max. Frame Rate  | 50Hz: 25fps (704 × 576, 640 × 480, 352 × 288, 320 × 240)<br>60Hz: 30fps (704 × 480, 640 × 480, 352 × 240, 320 × 240)   |
| Third Steam<br>Max. Frame Rate | 50Hz: 25fps (1920 × 1080, 1280 × 960, 1280 × 720, 704 × 576, 640 × 480, 352 × 288, 320 × 240)<br>60Hz: 30fps (1920 × 1080, 1280 × 960, 1280 × 720, 704 × 480, 640 × 480, 352 × 240, 320 × 240) |
| Image Enhancement              | BLC/3D DNR   |
| Image Settings                 | Support rotate mode. Saturation, brightness, contrast, etc., adjustable by client software or web browser  |
| Region of Interest             | Support 4 customized region for each stream, and face dynamic tracking   |
| Target Cropping                | Support  |
| Day/Night Switch               | Auto/Schedule/Triggered by Alarm In  |
| Picture Overlay                | LOGO picture can be overlaid on video with 128 × 128 24bit bmp format  |
| <b>Network</b>                 |  |
| Network Storage                | Support microSD/SDHC/SDXC card (up to 128 GB) local storage and NAS (NFS,SMB/CIFS), ANR  |
| Alarm Trigger                  | Motion detection, tampering alarm, HDD full, HDD error, network disconnected, IP address conflicted, illegal login   |
| Protocols                      | TCP/IP, ICMP, HTTP, HTTPS, FTP, DHCP, DNS, DDNS, RTP, RTSP, RTCP   |
| Standard                       | ONVIF (PROFILE S, PROFILE G), ISAPI  |
| General Function               | Mirror, anti-flicker, heartbeat, watermark, password protection, privacy mask  |

| <b>Interface</b>          |   |
|---------------------------|---|
| Communication Interface   | 1 RJ45 10M/100M self-adaptive Ethernet port   |
| Alarm                     | 2 alarm input, 2 alarm output   |
| On-board Storage          | Built-in microSD/SDHC/SDXC slot, up to 128GB<br><i>*You are recommended to purchase memory card together with the product if needed. After ordering, the memory card will be installed to product during manufacturing.</i>   |
| <b>Smart Feature-set</b>  |   |
| Behavior Analysis         | Line crossing detection, intrusion detection, region entrance detection, region exiting detection, unattended baggage detection, object removal detection   |
| Line Crossing Detection   | Cross a pre-defined virtual line  |
| Intrusion Detection       | Enter and loiter in a pre-defined virtual region  |
| Region Entrance Detection | Enter a pre-defined virtual region from the outside place   |
| Region Exiting Detection  | Exit from a pre-defined virtual region  |
| Unattended Baggage        | Objects left over in the pre-defined region such as the baggage, purse, dangerous materials   |
| Object Removal            | Objects removed from the pre-defined region, such as the exhibits on display.   |
| Exception Detections      | Scene change detection, defocus detection   |
| Recognition               | Face detection recognition  |
| <b>General</b>            |   |
| Operating Conditions      | -30°C to +60 °C (-22 °F to +140 °F), Humidity 95% or less (non-condensing)  |
| Power Supply              | AC 100 V to 240 V, 0.1A, terminal block<br>PoE (802.3af, class 3), 0.2A   |
| Power Consumption         | Max. 7W   |
| Ingress Protection        | IK10  |
| IR Range                  | 30 m  |
| Housing Material          | DS-2XE6222-IS: Stainless steel 304<br>DS-2XE6222-IS/316L: Stainless steel 316L  |
| Explosion-Proof           | ATEX:  II 2 G D Ex db IIC T6 Gb/Ex tb IIIC T80°C Db IP68<br>IECEX: Ex db IIC T6 Gb/Ex tb IIIC T80°C Db IP68<br>For explosive gas atmospheres, the maximum surface temperature is 85°C;<br>For flammable dust atmospheres, the maximum surface temperature is 80°C;<br>IIC: for explosive gas atmospheres other than mines susceptible to firedamp;<br>For explosive gas mixture atmospheres: Zone 1, Zone 2, Zone 21, Zone 22. |
| Dimensions                | Camera: 221.3 × 174 × 172 mm (8.71" × 6.85" × 6.77")<br>Package: 435 × 255 × 285 mm (17.1" × 10" × 11.2")   |
| Weight                    | 7.4 kg (3.4 lb.)  |
| <b>Approval</b>           |   |
| EMC                       | FCC: FCC-SDoC(ANSI C63.4,FCC Part15 sub B)<br>CE: CE-EMC(EN 50130-4:2011+A1:2014,EN 55032:2015,EN 61000-3-2:2014,EN 61000-3-3:2013)<br>RCM: AS/NZS 60950.1:2003 + Am1, Am2 and Am3,AS/NZS CISPR 32:2015<br>IC: IC-VoC(ICES-003 Issue 7:2020)<br>KC: KN 301489-1,KN 301489-17,RRA NOTICE 2017-14(2017.12.05),RRA NOTICE 2017-19(2017.12.28)  |
| Safety                    | UL: UL 60950-1:2014,CAN/CSA C22.2 No. 60950-1-07:2014<br>CB: IEC 60950-1  |
| Chemistry                 | CE: CE-RoHS(RoHS Directive 2011/65/EU+2015/863)<br>Reach SVHC: Regulation (EC) No 1907/2006   |

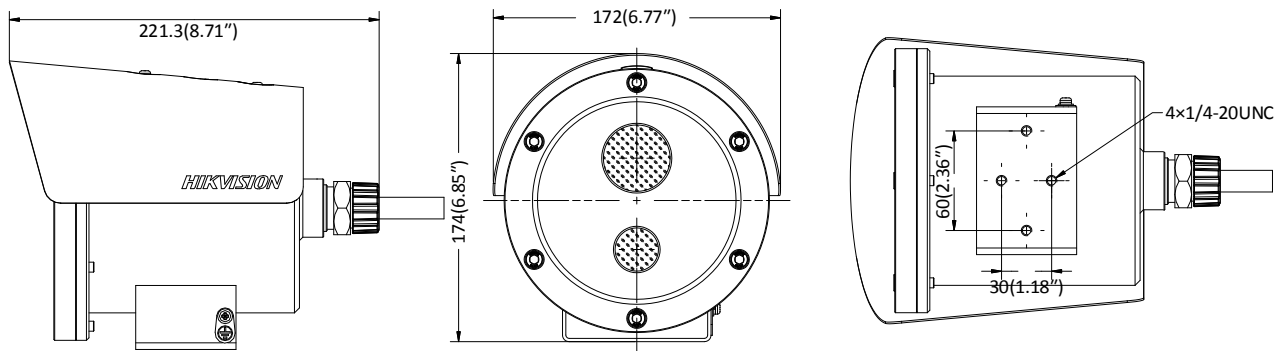
*\*You are recommended to purchase memory card together with the product if needed. After ordering, the memory card will*

be installed to product during manufacturing.

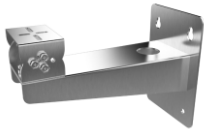
### Available Models

DS-2XE6222F-IS (4/6/8/12mm), DS-2XE6222F-IS/316L (4/6/8/12mm)

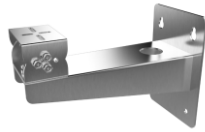
### Dimension



**Accessories**



**DS-1704ZJ-Y**  
Wall mount  
(316L stainless steel)



**DS-1704ZJ**  
Wall mount  
(304 stainless steel)



**DS-1706ZJ**  
PT joint  
(304 stainless steel)



**DS-1712ZJ**  
Pendant mount  
(304 stainless steel)



**DS-1677ZJ-XS-1.0 (D)**  
Flexible conduit



**DS-2780ZJ-X,**  
**DS-2780ZJ-X/316L**  
Explosion-proof terminal box

Distributed by



**HIKVISION**

**Headquarters**

No.555 Qianmo Road, Binjiang District,  
Hangzhou 310051, China  
T +86-571-8807-5998  
overseasbusiness@hikvision.com

**Hikvision USA**  
T +1-909-895-0400  
sales.usa@hikvision.com

**Hikvision Italy**  
T +39-0438-6902  
info.it@hikvision.com

**Hikvision Singapore**  
T +65-6684-4718  
sg@hikvision.com

**Hikvision Africa**  
T +27 (10) 0351172  
sale.africa@hikvision.com

**Hikvision Europe**  
T +31-23-55-42-770  
info.eu@hikvision.com

**Hikvision France**  
T +33(0)1-85-330-450  
info.fr@hikvision.com

**Hikvision Oceania**  
T +61-2-8599-4233  
salesau@hikvision.com

**Hikvision Hong Kong**  
T +852-2151-1761

**Hikvision Middle East**  
T +971-4-8816086  
salesme@hikvision.com

**Hikvision Spain**  
T +34-91-737-16-55  
info.es@hikvision.com

**Hikvision Canada**  
T +1-909-895-0400  
sales.usa@hikvision.com

**Hikvision Russia**  
T +7-495-669-67-99  
saleru@hikvision.com

**Hikvision Poland**  
T +48-22-460-01-50  
poland@hikvision.com

**Hikvision Korea**  
T +82-31-731-8841  
sales.korea@hikvision.com

**Hikvision India**  
T +91-22-28469900  
sales@pramahikvision.com

**Hikvision UK**  
T +01628-902140  
support.uk@hikvision.com

**Hikvision Brazil**  
T +55 11 3318-0050  
Latam.support@hikvision.com