

DS-1681ZJ-2
Installation Adapter



- Aluminum alloy material. Safe and reliable for the installation.
- Connects the camera with different brackets

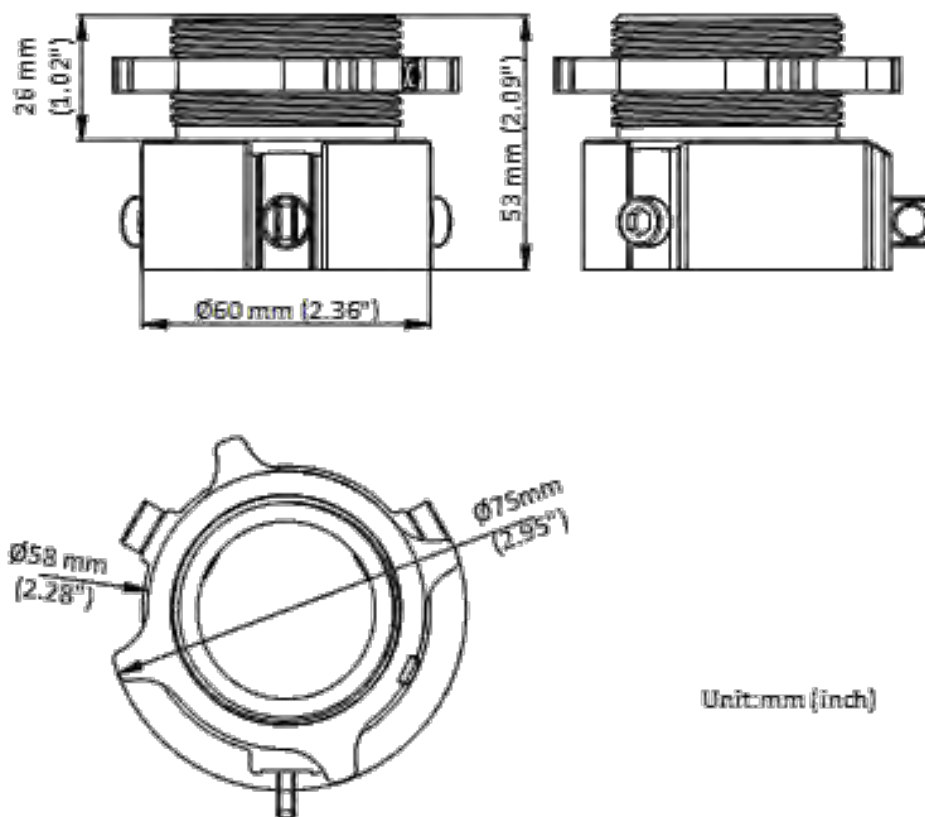
▪ Specification

Parameters	
Weight	Approx. 175 g (0.39 lb.)
Appearance	White
Material	Aluminum Alloy
Dimension	Φ75 mm × 53 mm (2.95" × 2.09")

▪ Available Model

DS-1681ZJ-2,

▪ Dimension



Headquarters

No.555 Qianmo Road, Binjiang District,
Hangzhou 310051, China
T +86-571-8807-5998
www.hikvision.com



Follow us on social media to get the latest product and solution information.

