

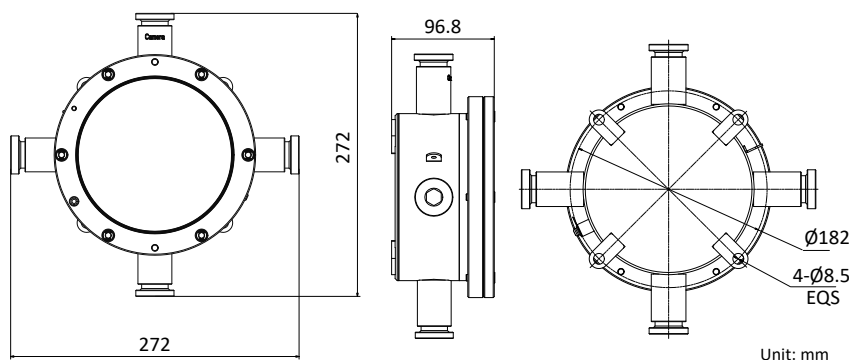
DS-2780ZJ-X(/316L)

Explosion-Proof Terminal Box

Features

- Stainless steel 304 and stainless steel 316L (/316L) optional
- Four cable outlets
- ATEX and IECEx certified explosion-proof performance
- Ingress protection, IP68

Dimension



II 2 G Ex db IIC T6 Gb

II 2 D Ex tb IIIC T80°C Db IP68

Available Model

DS-2780ZJ-X, DS-2780ZJ-X/316L

Parameter

| Model | DS-2780ZJ-X, DS-2780ZJ-X/316L |
|----------------------------|---|
| Parameters | Explosion-Proof Terminal Box |
| Material | DS-2780ZJ-X: stainless steel 304 DS-2780ZJ-X/316L: stainless steel 316L |
| Dimension | 272 mm × 272 mm × 96.8 mm (10.7" × 10.7" × 3.8") |
| Weight | Approx. 6.4 kg (14.1 lb.) |
| Cable Outlet | 4 cable outlets, M25 × 1.5 |
| Operating Conditions | -40°C to +60°C (-40°F to 140°F), 95%RH or less (non-condensing) |
| Hazardous Area | Zone 1, Zone 2, Zone 21, and Zone 22 |
| Ingress protection | IP68 |
| Interface | 110 to 240 VAC/24 VAC/8 to 36 VDC, CVBS, RS-485, 1 audio input, 1 audio output, 2 alarm inputs and 2 alarm outputs, RJ45 Ethernet interface (PoE 802.3 at/af supported) |
| Power Adapter Preinstalled | No |
| Wire Gauge | No. 22 to No. 12 AWG, max. 3.294 mm ² |
| Applicable Device | Device that uses 110 to 240 VAC/24 VAC/8 to 36 VDC/PoE (802.3 at/af) as power supply |

Accessory

Sealing rings (∅12 mm × 2, ∅9 mm × 2, ∅7 mm × 2, ∅5 mm × 2), M25 to G3/4 thread adapter × 4

Note

- Read the installation guide and abide by all mentioned instructions when install the terminal box.
- Make sure that the installation surface is strong enough to withstand eight times the weight of the device.