

## DS-1281ZJ-M(Black)

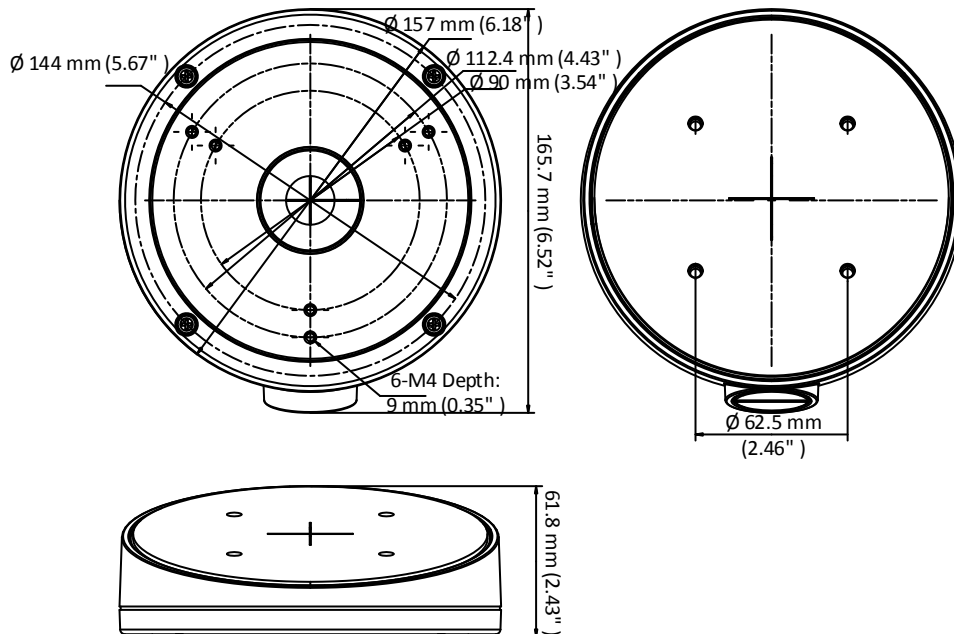
### Inclined Ceiling Mount



#### Features

- Aluminum alloy with surface spray treatment
- Side outlet, and bottom outlet
- Applies to both indoor conditions, and outdoor conditions

#### Dimension



#### Available Model

DS-1281ZJ-M(Black)

#### Parameter

Model	DS-1281ZJ-M(Black)
Parameters	Inclined Ceiling Mount
Appearance	Black
Material	Aluminum Alloy
Dimension	$\varnothing 157\text{ mm} \times 165.7\text{ mm} \times 61.8\text{ mm}$ ( $\varnothing 6.18'' \times 6.52'' \times 2.43''$ )
Weight	586 g (1.29 lb.)

#### Notes

- The mount should be installed on the flat surface.
- Waterproof rubber is necessary for the outdoor application.
- The wall must be capable of supporting at least 3 times as much as the total weight of the camera, and the mount.
- The maximum load capacity of the mount is 4.5 kg (9.9 lb.).