

## DS-2XC6626G0/P-IZH(R)S 2 MP ANPR IR Varifocal Bullet Network Camera



- High quality imaging with 2 MP resolution
- Excellent low-light performance via DarkFighter technology
- Clear imaging against strong back light due to 120 dB WDR technology
- License Plate Recognition
- Efficient H.265+ compression technology to save bandwidth and storage
- 5 streams to meet a wide variety of applications
- Water and dust resistant (IP67)
- 316L stainless steel enclosure, protecting cameras to be used in corrosive environments, providing reliability and longevity compared to standard cameras
- A built-in wiper (-R) removes water and dust on the screen and ensures clear images when the camera is used in dusty or damp environments

## ▪ Specification

| Camera                 |  |
|------------------------|--|
| Image Sensor           | 1/1.8" Progressive Scan CMOS   |
| Max. Resolution        | 1920 × 1080  |
| Min. Illumination      | Color: 0.0005 Lux @ (F1.2, AGC ON), B/W: 0.0001 Lux @ (F1.2, AGC ON), 0 Lux with IR  |
| Shutter Time           | 1 s to 1/100,000 s   |
| Day & Night            | IR cut filter<br>Blue glass module to reduce ghost phenomenon  |
| Lens                   |  |
| Focal Length & FOV     | 2.8 to 12 mm, horizontal FOV 100.8° to 40.2°, vertical FOV 53.3° to 22.5°, diagonal FOV 122.3° to 46.2°<br>8 to 32 mm, horizontal FOV 40.7° to 14.6°, vertical FOV 22.3° to 8.3°, diagonal FOV 47.4° to 16.7°                              |
| Focus                  | Auto, semi-auto, manual  |
| Aperture               | 2.8 to 12 mm: F1.38 to F2.5<br>8 to 32 mm: F1.7  |
| DORI                   |  |
| DORI                   | Wide:<br>2.8 to 12 mm: D: 60 m, O: 23.8 m, R: 12 m, I: 6 m<br>8 to 32 mm: 150.3 m, O: 59.7 m, R: 30.1 m, I: 15 m<br>Tele:<br>2.8 to 12 mm: D: 149 m, O: 59.1 m, R: 29.8 m, I: 14.9 m<br>8 to 32 mm: D: 400 m, O: 158.7 m, R: 80 m, I: 40 m |
| Illuminator            |  |
| Supplement Light Type  | IR   |
| Supplement Light Range | 2.8 to 12 mm: 60 m<br>8 to 32 mm: 100 m  |
| Smart Supplement Light | Yes  |
| IR Wavelength          | 850 nm   |
| Video                  |  |
| Main Stream            | 50 Hz: 25 fps (1920 × 1080, 1280 × 720)<br>60 Hz: 30 fps (1920 × 1080, 1280 × 720)   |
| Sub-Stream             | 50 Hz: 25 fps (704 × 576, 640 × 480)<br>60 Hz: 30 fps (704 × 480, 640 × 480)   |
| Third Stream           | 50 Hz: 25 fps (1920 × 1080, 1280 × 720, 704 × 576, 640 × 480)<br>60 Hz: 30 fps (1920 × 1080, 1280 × 720, 704 × 480, 640 × 480)   |
| Fourth Stream          | 50 Hz: 25 fps (704 × 576, 640 × 480)<br>60 Hz: 30 fps (704 × 480, 640 × 480)   |
| Fifth Stream           | 50 Hz: 25 fps (704 × 576, 640 × 480)<br>60 Hz: 30 fps (704 × 480, 640 × 480)   |
| Video Compression      | Main stream: H.265+/H.265/H.264+/H.264<br>Sub-stream/Fourth stream/Fifth stream: H.265/H.264/MJPEG<br>Third stream: H.265/H.264  |
| Video Bit Rate         | 32 Kbps to 8 Mbps  |
| H.264 Type             | Baseline Profile/Main Profile/High Profile   |
| H.265 Type             | Main Profile   |

|                             |  |
|-----------------------------|--|
| Bit Rate Control            | CBR/VBR  |
| Scalable Video Coding (SVC) | H.265 and H.264 encoding   |
| Region of Interest (ROI)    | 5 fixed regions for each stream  |
| Target Cropping             | Yes  |
| <b>Audio</b>                |  |
| Audio Type                  | Mono sound   |
| Audio Compression           | G.711/G.722.1/G.726/MP2L2/PCM/AAC-LC/MP3   |
| Audio Bit Rate              | 64 Kbps (G.711)/16 Kbps (G.722.1)/16 Kbps (G.726)/32 to 192 Kbps (MP2L2)/16 to 64 Kbps (AAC-LC)/8 to 320 Kbps (MP3)  |
| Audio Sampling Rate         | 8 kHz/16 kHz/32 kHz/44.1 kHz/48 kHz  |
| Environment Noise Filtering | Yes  |
| <b>Network</b>              |  |
| Protocols                   | TCP/IP, ICMP, HTTP, HTTPS, FTP, SFTP, SRTP, DHCP, DNS, DDNS, RTP, RTSP, RTCP, PPPoE, NTP, UPnP, SMTP, SNMP, IGMP, 802.1X, QoS, IPv6, UDP, Bonjour, SSL/TLS, WebSocket, WebSockets  |
| Simultaneous Live View      | Up to 20 channels  |
| API                         | Open Network Video Interface (Profile S, Profile G, Profile T), ISAPI, SDK, ISUP   |
| User/Host                   | Up to 32 users. 3 user levels: administrator, operator and user  |
| Security                    | Password protection, complicated password, HTTPS encryption, 802.1X authentication (EAP-TLS, EAP-LEAP, EAP-MD5), watermark, IP address filter, basic and digest authentication for HTTP/HTTPS, WSSE and digest authentication for Open Network Video Interface, RTP/RTSP OVER HTTPS, Control Timeout Settings, Security Audit Log, TLS 1.2 |
| Network Storage             | NAS (NFS, SMB/CIFS), auto network replenishment (ANR)<br>Together with high-end Hikvision memory card, memory card encryption and health detection are supported.  |
| Client                      | iVMS-4200, Hik-Connect, Hik-Central  |
| Web Browser                 | Plug-in required live view: IE10, IE11<br>Plug-in free live view: Chrome 57.0+, Firefox 52.0+, Safari12+<br>Local service: Chrome 57.0+, Firefox 52.0+   |
| <b>Image</b>                |  |
| Image Parameters Switch     | Yes  |
| Image Settings              | Rotate mode, saturation, brightness, contrast, sharpness, gain, white balance adjustable by client software or web browser   |
| Day/Night Switch            | Day, Night, Auto, Schedule, Alarm Trigger, Video Trigger   |
| Wide Dynamic Range (WDR)    | 120 dB   |
| SNR                         | ≥ 52 dB  |
| Image Enhancement           | BLC, HLC, Defog, 3D DNR  |
| Picture Overlay             | LOGO picture can be overlaid on video with 128 × 128 24bit bmp format  |
| Image Stabilization         | EIS  |
| <b>Interface</b>            |  |
| Ethernet Interface          | 1 RJ45 10 M/100 M/1000 M self-adaptive Ethernet port   |
| On-Board Storage            | Built-in memory card slot, support microSD/microSDHC/microSDXC card, up to 256 GB  |

|                                    |   |
|------------------------------------|---|
| Audio                              | 1 input (line in), two-core terminal block, max. input amplitude: 3.3 Vpp, input impedance: 4.7 K $\Omega$ , interface type: non-equilibrium; 1 output (line out), two-core terminal block, max. output amplitude: 3.3 Vpp, output impedance: 100 $\Omega$ , interface type: non-equilibrium  |
| Alarm                              | 1 input, 1 output (max. 24 VDC, 1 A or max. 110 VAC, 500 mA)  |
| RS-485                             | Without -R: 1 RS-485 (half duplex, HIKVISION, Pelco-P, Pelco-D, self-adaptive)<br>-R: does not support  |
| Reset Key                          | Yes   |
| Wiegand                            | /P: 1 Wiegand (CardID 26bit, SHA-1 26bit, Hik 34bit, NEWG 72bit)  |
| <b>Event</b>                       |   |
| Basic Event                        | Motion detection, video tampering alarm, exception (network disconnected, IP address conflict, illegal login, abnormal reboot, HDD full, HDD error), video quality diagnosis, vibration detection   |
| Smart Event                        | Line crossing detection, intrusion detection, region entrance detection, region exiting detection (support alarm triggered by specified target types (human and vehicle))<br>Scene change detection, audio exception detection, defocus detection   |
| Linkage                            | Upload to FTP/NAS/memory card, notify surveillance center, send email, trigger alarm output, trigger recording, trigger capture, audible warning  |
| <b>Deep Learning Function</b>      |   |
| Road Traffic and Vehicle Detection | Blocklist and allowlist: up to 10,000 records<br>Captures vehicle that has no license plate<br>Support license plate recognition of motorcycles (only in checkpoint scenario)<br>Support vehicle attribute detection, including vehicle type, color, brand, etc. (City Street mode is recommended.)   |
| Metadata                           | Metadata of road traffic is supported.  |
| <b>General</b>                     |   |
| Power                              | 12 VDC $\pm$ 20%, 1.8 A, max. 22 W, three-core terminal block<br>PoE: 802.3at, Type 2, Class 4, 42.5 V to 57 V), 0.5 A to 0.4 A, max. 22 W  |
| Material                           | 316L and anti-corrosion coating   |
| Dimension                          | With -R: 240.8 mm $\times$ 145 mm $\times$ 166.6 mm (9.5" $\times$ 5.7" $\times$ 6.6")<br>Without -R: 224 mm $\times$ 145 mm $\times$ 143.5 mm (8.8" $\times$ 5.7" $\times$ 5.6")   |
| Package Dimension                  | 477 mm $\times$ 235 mm $\times$ 302 mm (18.7" $\times$ 9.3" $\times$ 11.9")   |
| Weight                             | With -R: approx. 4915 g (10.8 lb.)<br>Without -R: approx. 3560 g (7.8 lb.)  |
| With Package Weight                | With -R: approx. 5575 g (12.3 lb.)<br>Without -R: approx. 4560 g (10.1 lb.)   |
| Storage Conditions                 | -40 $^{\circ}$ C to 60 $^{\circ}$ C (-40 $^{\circ}$ F to 140 $^{\circ}$ F). Humidity 95% or less (non-condensing)   |
| Startup and Operating Conditions   | -40 $^{\circ}$ C to 60 $^{\circ}$ C (-40 $^{\circ}$ F to 140 $^{\circ}$ F). Humidity 95% or less (non-condensing)   |
| Language                           | 33 languages: English, Russian, Estonian, Bulgarian, Hungarian, Greek, German, Italian, Czech, Slovak, French, Polish, Dutch, Portuguese, Spanish, Romanian, Danish, Swedish, Norwegian, Finnish, Croatian, Slovenian, Serbian, Turkish, Korean, Traditional Chinese, Thai, Vietnamese, Japanese, Latvian, Lithuanian, Portuguese (Brazil), Ukrainian |
| General Function                   | Anti-banding, 5 streams, heartbeat, mirror, privacy mask, flash log, password reset via email, pixel counter  |
| Heater                             | Yes   |

|                           |  |
|---------------------------|--|
| Wiper                     | -R: Yes  |
| <b>Approval</b>           |  |
| EMC                       | FCC: 47 CFR Part 15, Subpart B<br>CE-EMC: EN 55032: 2015, EN 61000-3-2:2019, EEN 61000-3-3:2013+A1:2019, EN 50130-4: 2011 +A1: 2014<br>RCM: AS/NZS CISPR 32: 2015<br>IC: ICES-003: Issue 7<br>KC: KN 32: 2015, KN 35: 2015   |
| Safety                    | UL: UL 62368-1<br>CB: IEC 62368-1:2014+A11<br>CE-LVD: EN 62368-1:2014/A11:2017<br>BIS: IS 13252(Part 1):2010/ IEC 60950-1 : 2005<br>LOA: IEC/EN 60950-1  |
| Environment               | CE-RoHS: 2011/65/EU<br>WEEE: 2012/19/EU<br>Reach: Regulation (EC) No 1907/2006   |
| Protection                | IP67: IEC 60529-2013<br>IK10: IEC 62262: 2002 (without -R)   |
| Anti-Corrosion Protection | NEMA 4X: NEMA 250-2018<br>C5-M: 720H neutral salt spray, 480H water condensation;<br>Exterior environments: industrial areas with high humidity and aggressive atmosphere and coastal areas with high salinity;<br>Interior environments: buildings or areas with almost permanent condensation and with high pollution. |

## ▪ Function

### Road Traffic and Vehicle Detection

With embedded deep learning based license plate capture and recognition algorithms, the camera alone can achieve plate capture and recognition. The algorithm enjoys the high recognition accuracy of common plates and complex-structured plates, which is a great step forward comparing to traditional algorithms. Blocklist and allowlist are available for plate categorization and separate alarm triggering.

## ▪ Typical Application

Hikvision products are classified into three levels according to their anti-corrosion performance. Refer to the following description to choose for your using environment.

This model has TOP-LEVEL PROTECTION.

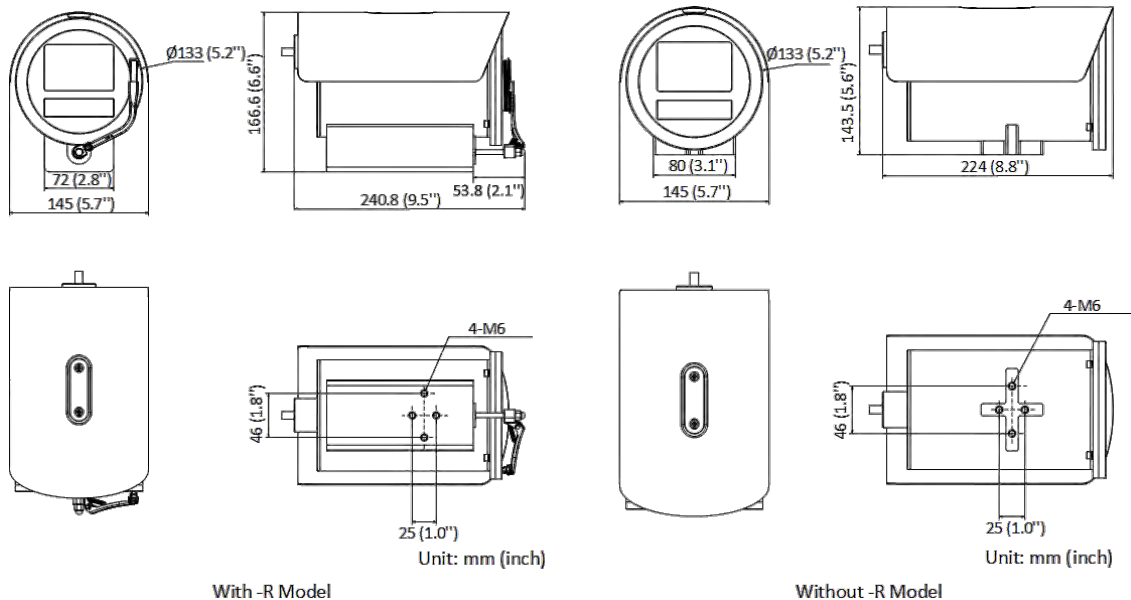
| Level                  | Description  |
|------------------------|--|
| Top-level protection   | Hikvision products at this level are equipped for use in areas where professional anti-corrosion protection is a must. Typical application scenarios include coastlines, docks, chemical plants, and more.   |
| Moderate protection    | Hikvision products at this level are equipped for use in areas with moderate anti-corrosion demands. Typical application scenarios include coastal areas about 2 kilometers (1.24 miles) away from coastlines, as well as areas affected by acid rain. |
| No specific protection | Hikvision products at this level are equipped for use in areas where no specific anti-corrosion protection is needed.  |

▪ **Available Model**

DS-2XC6626G0/P-IZHS (2.8 to 12 mm, 8 to 32 mm)

DS-2XC6626G0/P-IZHRS (2.8 to 12 mm, 8 to 32 mm)

▪ **Dimension**



▪ **Accessory**

▪ **Optional**



**Headquarters**

No.555 Qianmo Road, Binjiang District,  
Hangzhou 310051, China  
T +86-571-8807-5998  
www.hikvision.com



Follow us on social media to get the latest product and solution information.

