

GEKO IRN

LED ILLUMINATOR

MAIN FEATURES

High efficiency heat sink body to ensure maximum LEDs durability
 Strong aluminium structure
 Vandalproof protection (IK10)
 The illuminator is supplied in 24Vac/12-24Vdc or 90-240Vac
 Beam patterns: 10°, 30°, 60°
 Wavelengths: 850nm, 940nm and white light
 Consumption: 30W
 Adjustable light intensity
 Adjustable built-in photocell
 VOLT-free relay input for external activation
 VOLT free relay output for Day/Night camera
 Supplied with a wall-mount bracket
 IP66/IP67

DESCRIPTION

State of the art illuminator, which provides high reliability and excellent image quality. The GEKO lights the entire scene evenly, eliminating hotspots and underexposures, for unbeatable night-time images and secure surveillance of the area. The high efficiency heat sink body ensures maximum LED durability and protection against over-temperatures, whereas the front glass, made of special technopolymer, provides high infrared transmittance. The illuminators are protected against electrostatic discharges.

The illuminator is available in versions 24Vac/12-24Vdc or 100-240Vac with integrated power supply.

GEKO is supplied with a wall-mount bracket that rotates horizontally and vertically.

The GEKO infrared illuminator guarantee is 5 years, while for GEKO with the white light is 2 years.



GEKO IRN 24VAC/12-24VDC WHITE LIGHT



GEKO IRN 24VAC/12-24VDC



GEKO IRN 90-240VAC

GEKO IRN - CONFIGURATION OPTIONS

	Beam patterns	Power supply	Wavelength		Version	
IRN	10 Narrow	A 90-240Vac	8 850nm	A	S Single illuminator	00
	30 Medium	B 12-24Vdc, 24Vac	9 940nm			
	60 Wide		W White light			

TECHNICAL DATA

GENERAL

Supplied complete with support
Adjustable built-in twilight sensor for automatic activation and deactivation
LED SMD

MECHANICAL

Die cast aluminium body
Dimensions: 187x251x242mm (7.4x9.9x9.5in)
Unit weight:
• 1.7kg (3.7lb) (from 12Vdc to 24Vdc, 24Vac)
• 2.2kg (4.8lb) (from 100Vac to 240Vac)

ELECTRICAL

Power supply/Current consumption:
• From 12Vdc to 24Vdc, 2.5A max
• 24Vac, 2.5A max, 50/60Hz
• From 100Vac to 240Vac, 1.5A max, 50/60Hz
Power supply voltages permitted tolerance:
• From 120Vac to 230Vac: ±10%
• 24Vac or 24Vdc: ±10%
• 12Vdc: ±5%
Input for activation by means of external dry contact
Dry contact output (Follow)
Multipolar cable L: 2m (6.56ft)
• Control: 4x0.34mm² (AWG22)
• Power supply from 12Vdc to 24Vdc, 24Vac: 2x0.75mm² (AWG18)
• Power supply from 100Vac to 240Vac: 3x0.75mm² (AWG18)

ENVIRONMENT

Indoor/Outdoor
Operating temperature: From -40°C (-40°F) to +60°C (140°F)

CERTIFICATIONS

Electrical safety: EN60950-1, IEC60950-1
Photobiological safety of lamps and lamp systems: EN62471
Electromagnetic compatibility: IEC CISPR22 (Class A), EN55022 (Class A), FCC Part 15 (Class A)
Immunity: EN50130-4
Outdoor installation: EN60950-22, IEC 60950-2
UL certification: cULus Listed (TYPE 4X) (version with a white light LED illuminator excluded)
Impact resistance: EN62262 (IK10)
IP protection degree: EN60529 (IP66/IP67)

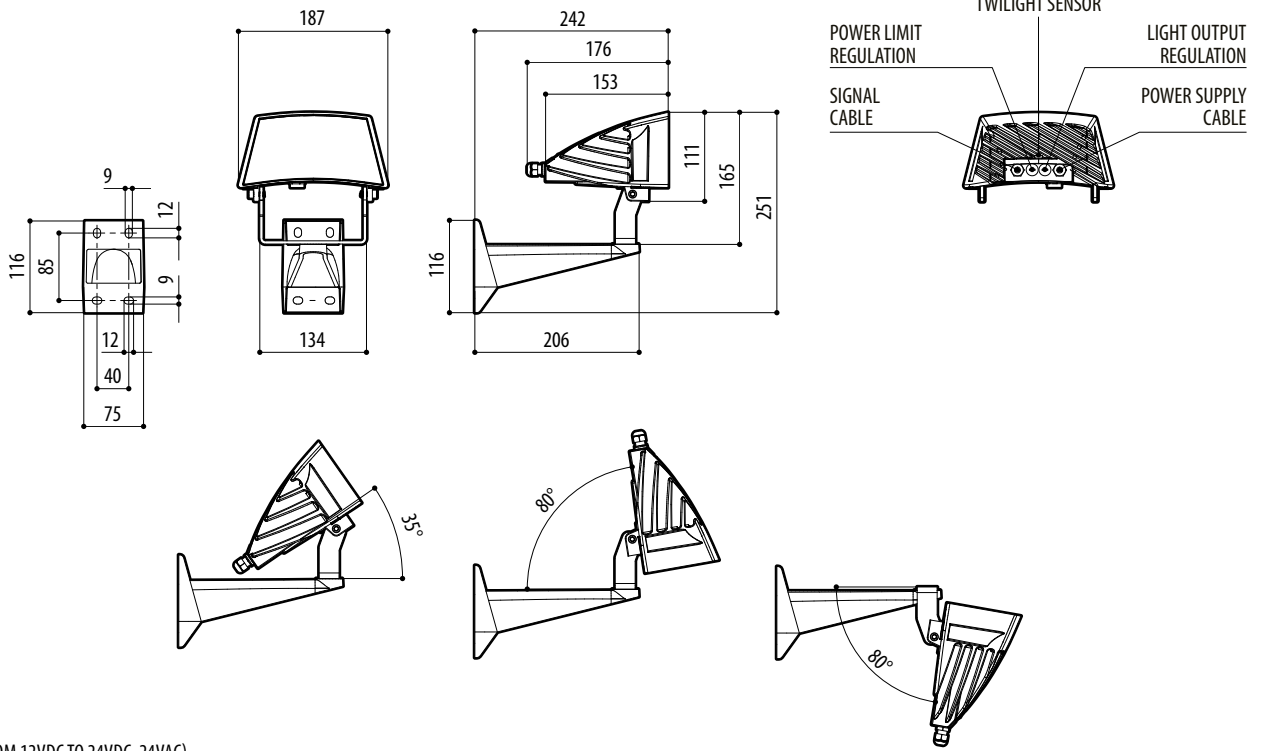
PACKAGE

Model Number	Weight	Dimensions (WxHxL)	Master carton
IRN10B8AS00	3Kg (6.6lb)	30x24x16cm (12x9.5x6.3in)	-
IRN10A8AS00	3.5Kg (7.7lb)	30x24x16cm (12x9.5x6.3in)	-

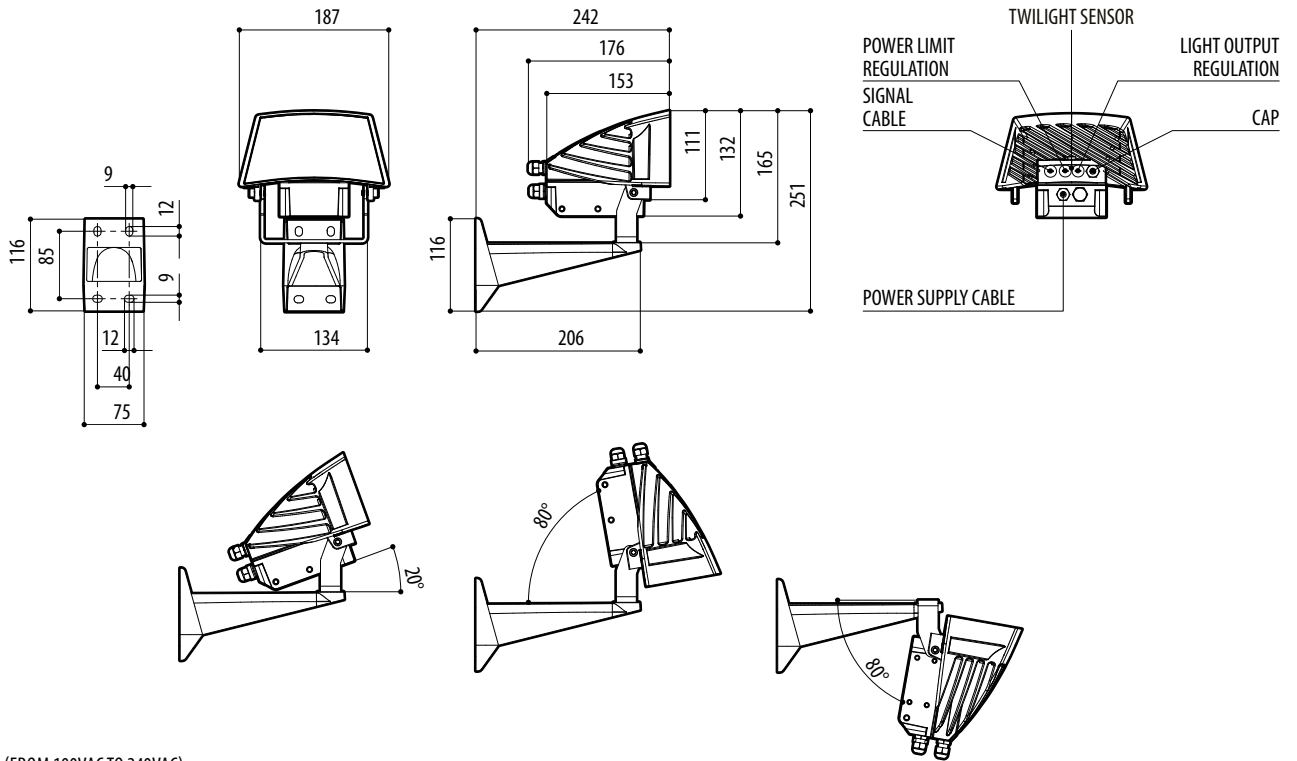
GEKO IRN - BEAM PATTERN AND ACHIEVABLE DISTANCES FOR ONE ILLUMINATOR

Horizontal and vertical beam patterns	Maximum distance		
	850nm	940nm	White light
10°	240m (787ft)	140m (460ft)	-
30°	130m (427ft)	80m (262ft)	120m (393ft) ¹
60°	80m (262ft)	60m (197ft)	90m (295ft) ¹

¹ Achievable distances with camera in Day mode (colour image)
The distances and the performance depend on the camera/lens used and on the environmental conditions.



GEKO IRN (FROM 12VDC TO 24VDC, 24VAC).



GEKO IRN (FROM 100VAC TO 240VAC).

