

DS-2XE6146F-HS 4 MP Explosion-Proof Network Dome Camera



II 2 G D Ex db IIC T6 Gb/Ex tb IIIC T80°C Db IP68
Ex db IIC T6 Gb/Ex tb IIIC T80°C Db IP68

Key Features

- 1/2.7" Progressive Scan CMOS
- 2.0 mm, 2.8 mm, 4 mm, 6 mm, optional
- 2560 × 1440 resolution
- Digital WDR
- Stainless steel 316L
- IP68
- H.265, H.265+, H.264+, H.264
- Image enhancement: BLC, 3D DNR, HLC, defog, EIS
- behavior analyses, exception detections and face detection



Specifications

Camera	
Image Sensor	1/2.7" Progressive Scan CMOS
Min. Illumination	Color 0.01lux @(F1.2,AGC ON),0.028Lux @ (F2.0, AGC ON) B/W 0.0036lux @(F1.2,AGC ON); 0.01Lux @ (F2.0, AGC ON)
Shutter Speed	1 s to 1/100,000 s
Slow Shutter	Support
Digital Noise Reduction	3D DNR
Day & Night	Electronic
WDR	Digital WDR
2-Axis Adjustment	2mm: pan: 0° to 340°, tilt: 0° to 60° 2.8 mm, 4 mm, 6 mm: 0° to 340°, tilt: 0° to 75°
Lens	
Focal length	2.0 mm, 2.8 mm, 4 mm, 6 mm, optional
Aperture	2.0 mm@F2.2, 2.8 mm@F2.0, 4 mm@F2.0, 6 mm@F2.0
FOV	2 mm: horizontal FOV 122°, vertical FOV 71°, diagonal FOV 140° 2.8 mm: horizontal FOV 100.8°, vertical FOV 55°, diagonal FOV 117.3° 4 mm: horizontal FOV 77°, vertical FOV 42.5°, diagonal FOV 89.3° 6 mm: horizontal FOV 48.6°, vertical FOV 27.5°, diagonal FOV 55.5°
Lens Mount	M12
Compression Standard	
Video Compression	Main stream: H.265/H.264 Sub stream: H.265/H.264/MJPEG Third stream: H.265/H.264
H.264 Type	Baseline Profile/Main Profile/High Profile
H.264+	Main stream support
H.265 Type	Main Profile
H.265+	Main stream support
Video Bit Rate	32 Kbps to 16 Mbps
Audio Compression	G.711/G.722.1/G.726/MP2L2/PCM
Audio Bit Rate	64Kbps(G.711) / 16Kbps(G.722.1) / 16Kbps(G.726) / 32-192Kbps(MP2L2)
Smart Feature-set	
Behavior Analysis	Line crossing detection, intrusion detection, region entrance detection, region exit detection, unattended baggage detection, object removal detection
Exception	Audio exception detection
Face Detection	Support
Region of Interest	Support 4 fixed regions for each stream, and dynamic face tracking
Image	
Max. Resolution	2560 × 1440
Main Stream	50Hz: 25fps (2560 × 1440, 1920 × 1080, 1280 × 960, 1280 × 720) 60Hz: 24fps (2560 × 1440, 1920 × 1080, 1280 × 960, 1280 × 720)
Sub Stream	50Hz: 25fps (704 × 576, 640 × 480, 352 × 288, 320 × 240) 60Hz: 24fps (704 × 480, 640 × 480, 352 × 240, 320 × 240)
Third Stream	50Hz: 25fps (1920 × 1080, 1280 × 960, 1280 × 720, 704 × 576, 640 × 480, 352 × 288, 320 × 240) 60Hz: 24fps (1920 × 1080, 1280 × 960, 1280 × 720, 704 × 480, 640 × 480, 352 × 240, 320 × 240)
Image Enhancement	BLC, 3D DNR, HLC, defog, EIS

Image Setting	Rotate mode, saturation, brightness, contrast, sharpness, AGC, and white balance are adjustable by client software or web browser
Day/Night Switch	Day/Night/Auto/Schedule/Triggered by Alarm In
Target Cropping	Yes
SVC	H.264 and H.265 support
Picture Overlay	Logo picture can be overlaid on video with 128 × 128 24bit bmp format
Network	
Network Storage	Support microSD/SDHC/SDXC card (128 GB) local storage and NAS (NFS,SMB/CIFS), ANR
Alarm Trigger	Motion detection, video tampering, network disconnected, IP address conflict, illegal login, HDD full, HDD error
Protocols	TCP/IP, ICMP, HTTP, HTTPS, FTP, DHCP, DNS, DDNS, RTP, RTSP, RTCP, PPPoE, NTP, UPnP, SMTP, SNMP, IGMP, 802.1X, QoS, IPv6, UDP, Bonjour
General Function	One-key reset, anti-flicker, three streams, heartbeat, mirror, password protection, privacy mask, watermark, IP address filter
API	ONVIF (PROFILE S, PROFILE G), ISAPI
Simultaneous Live View	Up to 20 channels
User/Host	Up to 32 users 3 levels: Administrator, Operator and User
Client	iVMS-4200, iVMS-4500, iVMS-5200, Hik-Connect
Web Browser	IE8+, Chrome41.0-44, Firefox30.0-51, Safari8.0+
Interface	
Audio	1 audio input (line in), 1 audio output (line out), mono soundtrack
Communication Interface	1 RJ45 10M/100M/1000M self-adaptive Ethernet port, 1 RS-485 interface
Alarm	1 alarm input, 1 alarm output (supports max. 24 VDC, 1 A or 110 VAC, 500mA)
On-board storage	Built-in microSD/SDHC/SDXC slot, up to 128 GB <i>*You are recommended to purchase memory card together with the product if needed. After ordering, the memory card will be installed to product during manufacturing.</i>
Video Output	1Vp-p composite output (75 Ω/BNC)
BNC	CVBS analog output (4CIF resolution)
Reset Button	Support
Audio	
Environment Noise Filtering	Yes
Audio Sampling Rate	8 kHz/16 kHz/32 kHz/44.1 kHz/48 kHz
General	
Operating Conditions	-40 °C to +60 °C (-40 °F to +140 °F), humidity 95% or less (non-condensing)
Power Supply	12 VDC ±20%, PoE (802.3af, class 3) Terminal block for DC input
Power Consumption and Current	12 VDC, 0.8 A, max. 10 W PoE (802.3af, 36V to 57V), 0.3 A to 0.2 A, max. 12.5 W
Explosion-Proof	ATEX: II 2 G D Ex db IIC T6 Gb/Ex tb IIIC T80°C Db IP68 IECEX: Ex db IIC T6 Gb/Ex tb IIIC T80°C Db IP68 For explosive gas atmospheres, the maximum surface temperature is 85°C; For flammable dust atmospheres, the maximum surface temperature is 80°C; IIC: for explosive gas atmospheres other than mines susceptible to firedamp; For explosive gas mixture atmospheres: Zone 1, Zone 2, Zone 21, Zone 22.
Heater	-H: yes
Material	Stainless steel 316L
Dimensions	Camera: Ø138 × 123.4 mm (Ø5.43" × 4.86") Package: 251 × 215 × 189 mm (9.88" × 8.46" × 7.44")

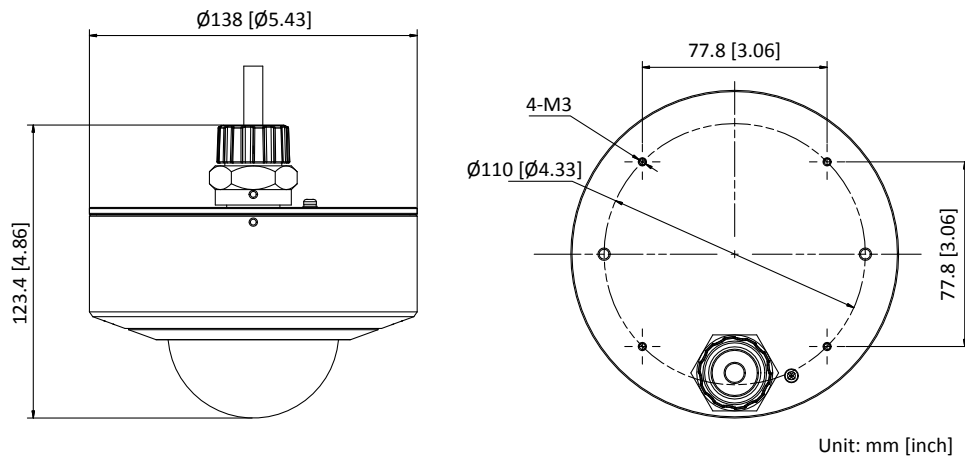
Weight	Camera: Approx. 2.5 kg (5.51 lb.) With package: approx. 3.46 kg (7.63 lb.)
Approval	
EMC	FCC: FCC-SDoC(ANSI C63.4,FCC Part15 sub B) CE: CE-EMC(EN 50130-4:2011+A1:2014,EN 55032:2015,EN 61000-3-2:2014,EN 61000-3-3:2013) RCM: AS/NZS 60950.1:2003 + Am1, Am2 and Am3,AS/NZS CISPR 32:2015 IC: IC-VoC(ICES-003 Issue 7:2020) KC: KN 301489-1,KN 301489-17,RRA NOTICE 2017-14(2017.12.05),RRA NOTICE 2017-19(2017.12.28)
Safety	UL: UL 60950-1:2014,CAN/CSA C22.2 No. 60950-1-07:2014 CB: IEC 60950-1 BIS: IS 13252(Part 1)2010+A1:2013+A2:2015 LOA: SANS IEC60950-1
Chemistry	CE: CE-RoHS(RoHS Directive 2011/65/EU+2015/863)
Protection	IP68 (IEC 60529-2013)

**You are recommended to purchase memory card together with the product if needed. After ordering, the memory card will be installed to product during manufacturing.*

Available Model:

DS-2XE6146F-HS

Dimensions



Accessory



DS-1696ZJ-X
Pendant mount-316L



DS-1697ZJ-X
Wall mount-316L



DS-2781ZJ-X/316L
Explosion-proof terminal box
(with power adapter)



DS-2780ZJ-X/316L
Explosion-proof terminal box
(no power adapter)



DS-1677ZJ-XS-1.0 (D)
Flexible conduit

Distributed by



HIKVISION

Headquarters

No.555 Qianmo Road, Binjiang District,
Hangzhou 310051, China
T +86-571-8807-5998
overseasbusiness@hikvision.com

Hikvision USA
T +1-909-895-0400
sales.usa@hikvision.com

Hikvision Italy
T +39-0438-6902
info.it@hikvision.com

Hikvision Singapore
T +65-8684-4718
sg@hikvision.com

Hikvision Africa
T +27 (0) 351172
sale.africa@hikvision.com

Hikvision Europe
T +31-23-55-42-770
info.eu@hikvision.com

Hikvision France
T +33(0)1-85-330-450
info.fr@hikvision.com

Hikvision Oceania
T +61-2-8599-4233
salesau@hikvision.com

Hikvision Hong Kong
T +852-2151-1761

Hikvision Middle East
T +971-4-8816086
salesme@hikvision.com

Hikvision Spain
T +34-91-737-16-55
info.es@hikvision.com

Hikvision Canada
T +1-909-895-0400
sales.usa@hikvision.com

Hikvision Russia
T +7-495-669-67-99
saleru@hikvision.com

Hikvision Poland
T +48-22-460-01-50
poland@hikvision.com

Hikvision Korea
T +82-31-731-8841
sales.korea@hikvision.com

Hikvision India
T +91-22-28469900
sales@pramahikvision.com

Hikvision UK
T +01628-902140
support.uk@hikvision.com

Hikvision Brazil
T +55 11 3318-0050
Latam.support@hikvision.com