

# ALTA H6SL CAMERA LINE

2 MP

3 MP

5 MP

5-YEAR WARRANTY

Proactively boost safety and security with the analytics-enabled Avigilon H6SL camera line for Alta Aware. Available in a dome or bullet form factor, the cloud-native Alta H6SL line combines versatility and high performance for indoor and outdoor use. With high dynamic range, IR options and up to 5 MP resolution, you get crisp, clear images in even the most challenging lighting conditions. Intelligent analytics with real-time alerts help you react and respond faster to critical events and the cloud-native Alta Aware provides access to video at any time and from any location.



## FEATURES

### REACT AND RESPOND FASTER WITH AI



Gain security preparedness and act quicker with intelligent analytics that alert you in real-time of critical events. The Alta H6SL notifies you of people, vehicles or anomalies to help you identify potential threats.

### SEE CLEARLY IN ALL LIGHT CONDITIONS



With High Dynamic Range, the Alta H6SL Dome can easily handle high-contrast scenes, and IR illumination captures details in low-light conditions so you can see clearly in all environments.

### TRUSTED AND SECURE



With North American Avigilon manufacturing you can trust and security in the camera and the cloud, rest assured that your security system is protected.

### OPTIONS FOR EVERY DEPLOYMENT



With a variety of storage and resolution configurations and wide and telephoto lens options on the H6SL Bullet, there's a cloud-native Alta H6SL to meet all your deployment needs.

### SUITABLE FOR TOUGH ENVIRONMENTS



All H6SL cameras are IK10-rated for impact resistance. All outdoor models are IP66/IP67 and NEMA Type 4X rated for water, windblown dust and a degree of corrosion.

### 24/7 AWARENESS FROM ANYWHERE



Securely access video anywhere with a cloud-native platform that offers easy-to-use viewing and management via a browser or on-the-go visibility from a powerful mobile app.

# SPECIFICATIONS

IMAGE PERFORMANCE		2.0 MP	3.0 MP	5.0 MP
Image Sensor		1/2.8" progressive scan CMOS		
Imaging Area (H × V)		5.57 mm × 3.13 mm 0.219" × 0.123"	5.18 mm × 3.89 mm 0.204" × 0.153"	
Aspect Ratio		16:9	4:3	
Dynamic Range	HDR Off	83 dB		
	HDR On	126 dB	130 dB	
3D Noise Reduction Filter		Supported		
Max Frame Rate		30 fps		
Streaming Resolutions		1920x1080, 1280x720, 640x360	2048x1536, 1280x960, 640x480	2592x1944, 1920x1440, 1280x960, 640x480

LENS AND IR ILLUMINATION		3.4-10.5 MM (DOME/BULLET)	10.9-29 MM (BULLET ONLY)
IR Illumination Max Distance (high power 850 nm LEDs)	Dome	30 m (100 ft), full tele 20 m (65 ft), full wide	N/A
	Bullet 2.0 MP	50 m (164 ft), full tele 30 m (100 ft), full wide	N/A
	Bullet 3.0 MP / 5.0 MP	40 m (131 ft), full tele 20 m (65 ft), full wide	70 m (230 ft), full tele 30 m (100 ft), full wide
Minimum Illumination (at 33 ms shutter speed)	2.0 MP	With IR: 0 lux in monochrome mode Without IR: 0.01 lux in color mode; 0.005 lux in monochrome mode	N/A
	3.0 MP / 5.0 MP	With IR: 0 lux in monochrome mode Without IR: 0.04 lux in color mode; 0.02 lux in monochrome mode	
Horizontal Angle of View	2.0 MP	101° - 31°	N/A
	3.0 MP / 5.0 MP	95° - 28°	28° - 10°
Vertical Angle of View	2.0 MP	53° - 17°	N/A
	3.0 MP / 5.0 MP	69° - 21°	21° - 7°
Max Aperture		F1.6	F1.7
Lens Control		Remote Zoom and Focus, Autofocus, IR Cut Filter	

IMAGE CONTROL	
Image Compression Method	H.265, H.264, Motion JPEG
Electronic Shutter Control	Automatic
Day/Night Control	Automatic
Flicker Control	50 Hz, 60 Hz
Iris Control	P-Iris
White Balance	Automatic
Image Rotation	0°, 90°, 180°, 270° including Corridor Mode
Privacy Zones	Up to 64 zones

NETWORK	
Network	100BASE-TX
Cabling Type	CAT5
Network	RJ45 Connector
ONVIF <sup>1</sup>	ONVIF® compliance Profile S, Profile T, Profile G, and Profile M ( <a href="http://www.onvif.org">www.onvif.org</a> )
Security	Password protection, HTTPS encryption
Protocols	IPv6, IPv4, HTTP, HTTPS, SOAP, DNS, NTP, RTSP, RTCP, RTP, TCP, UDP, IGMP, ICMP, DHCP, ARP, HSTS
Streaming Protocols	WebRTC, RTP/RTSP/UDP, RTP/RTSP/TCP, RTP/RTSP/HTTP/TCP, RTP/RTSP/HTTPS/TCP
Platform Compatibility	Avigilon Alta Aware, Avigilon Unity ACC <sup>1</sup> , 3rd party VMS <sup>1</sup>

<sup>1</sup> Requires the camera to be running Avigilon Unity firmware.

AUXILIARY I/O	
Audio Compression Method	G.711 PCM 8 kHz, Opus
Audio Input/Output <sup>1</sup>	Line level I/O
External I/O Terminals <sup>1</sup>	Alarm In, Alarm Out
Microphone (Indoor Dome)	Optional Microphone accessory sold separately for Indoor Dome Camera only <sup>2</sup>

<sup>1</sup> Not currently supported.

<sup>2</sup> Available soon.

MECHANICAL (DOME)	SURFACE MOUNT	IN-CEILING MOUNT	PENDANT MOUNT
Dimensions	D 156 mm × H 116 mm; D 6.1" × H 4.6"	D 174 mm × H 165 mm; D 6.9" × H 6.5"	D 156 mm × H 161 mm; D 6.2" × H 6.3"
Weight	0.81 kg	0.80 kg	1.07 kg
Max. Ceiling Thickness	N/A	25 mm (1.0")	N/A
Dome Bubble	Polycarbonate		
Body	Polycarbonate		
Housing	Polycarbonate		
Finish	Plastic, injection molded, Pantone 427C		
Adjustment Range	360° pan, 30°–95° tilt (recommended), 8°–95° tilt (maximum), ±180° azimuth		

MECHANICAL (BULLET)		3.4-10.5 MM AND 10.9-29 MM
Dimensions (L x W x H)	Camera with junction box	296 mm × 126 mm × 106 mm; 11.7" × 5.0" × 4.2"
Weight		1.31 kg (1.78 kg with junction box)
Body		Aluminum
Housing		Aluminum
Finish		Powder coat, close to Pantone 427C
Adjustment Range		±175° pan, ±90° tilt, ±175° azimuth

**ELECTRICAL**

Power Source	PoE: IEEE 802.3af Class 3 compliant, 12VDC Aux (Available on Bullet only)	
IR Illuminator Behaviour	Dome	IR illuminator will turn off if the temperature is 60°C (140°F) or higher. The illuminator will operate at 50% power if the temperature is between 40°C (104°F) and 52 °C (117°F). Hysteresis: 2°C (3.6°F).
	Bullet	IR illuminator will turn off if the temperature is 60°C (140°F) or higher.
RTC Battery Backup	3V manganese lithium	
PoE	Dome	10 W max (8 W with no IR or IR disabled)
	Bullet	13 W max
Memory	1GB RAM, 512MB Flash	

**ENVIRONMENTAL****INDOOR DOME****OUTDOOR DOME****BULLET**

Operating Temperature	-10°C to +60°C (14°F to 140°F)	-40°C to +60°C (-40°F to 140°F)	-40°C to +60°C (-40°F to 140°F)
Storage Temperature	-10°C to +70°C (14°F to 158°F)		
Absolute Maximum Temperature	74°C (165°F) per NEMA TS2 (Temp.) para 2.2.7.2 - 2.2.7.7		
Humidity	0 - 95% non-condensing		

**CERTIFICATIONS****INDOOR DOME****OUTDOOR DOME****BULLET**

Certifications/Approvals	UL, cUL, CE, UKCA, ROHS, RCM, NOM, KC, BIS		
Safety	UL/CSA/EN/IEC 62368-1, IEC 62471		
Environmental	IEC/EN 62262 Impact (IK 10), IEC 60529 IP52 rating	IEC/EN 62262 (IK 10), IEC 60529 IP66, IP67 rating, Type 4X, IEC 60068-2-1, IEC 60068-2-2, IEC 60068-2-6, IEC 60068-2-14, IEC 60068-2-27	IEC/EN 62262 (IK 10), IEC 60529 IP66, IP67 rating, Type 4X, IEC 60068-2-1, IEC 60068-2-2, IEC 60068-2-6, IEC 60068-2-14, IEC 60068-2-27
Electromagnetic Emissions	FCC Part 15 Subpart B (Class B), IC ICES-003 (Class B), EN 55032 (Class B), EN 61000-6-3, EN 61000-3-2, EN 61000-3-3		
Electromagnetic Immunity	EN 55035, EN 61000-6-1, EN 50130-4, EN 50121-4		
Warranty	5-year warranty		

# ANALYTICS SPECIFICATIONS

ANALYTIC RULES SUPPORTED	
Object in Area	Rule triggered when an object of the selected type and attributes is detected in the region of interest.
Object Loitering	Rule triggered when an object of the selected type and attributes loiters in the selected area for the selected period of time.
Objects Crossing Line	Rule triggered when an object of the selected type and attributes crosses the line. The line can be unidirectional or bidirectional.
Object Counting	Rule triggered when the count of objects of the selected type either exceeds or is less than the selected threshold.
Object Line Crossing Counting	Rule triggered when the specific number of objects of the selected type either cross a line to enter or leave an area.
License Plate Detection	Requires additional license.
Audio <sup>1</sup>	Rule triggered when audio of one of the specified types is detected.

<sup>1</sup> Audio Analytics will be available soon. Requires Avigilon microphone accessory (for indoor domes only).

DETECTED ATTRIBUTES	
Object Attributes	Vehicle, sub-types: Small/Medium Vehicles (sedan, SUV, pickup truck, etc.), Large Vehicles (bus, truck), Two-wheeled Vehicles (bicycle, motorcycle), Unclassified Vehicles Person Color (people's clothing, top and bottom, and vehicles)

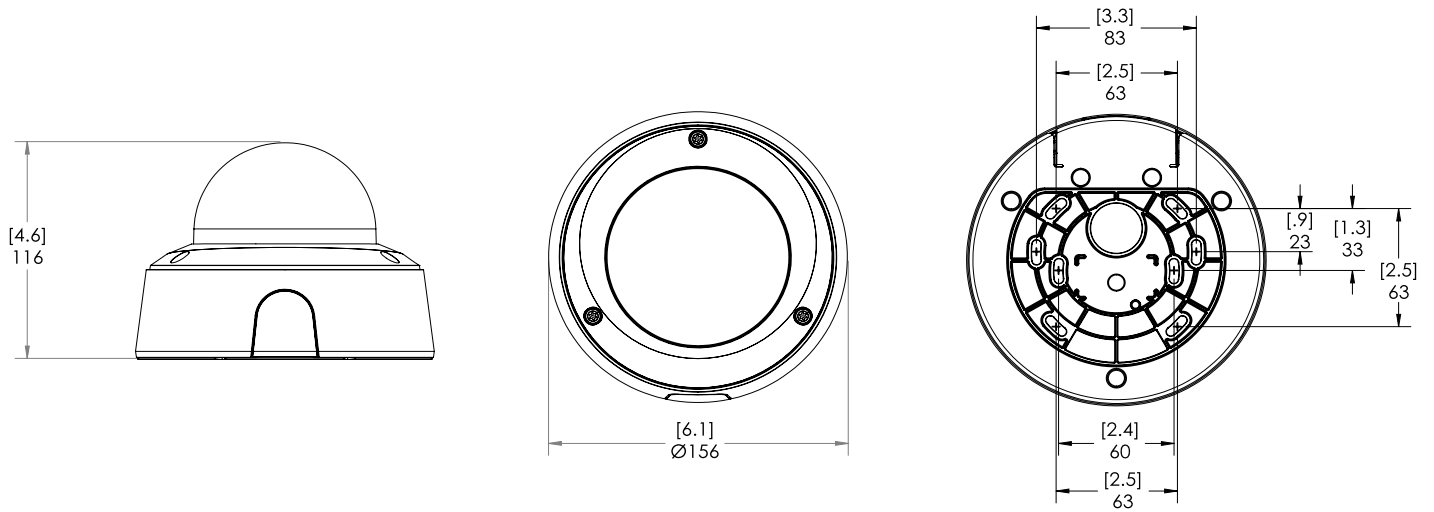
SUPPORTED AUDIO EVENTS <sup>1</sup>	
Audio Events	Glass breaking, Loud Noise, Gun Shot, Screaming, Smoke Alarm, Car Alarm, Ultrasound Panic Alarm, Dog Barking

<sup>1</sup> Audio Analytics will be available soon. Requires Avigilon microphone accessory (for indoor domes only).

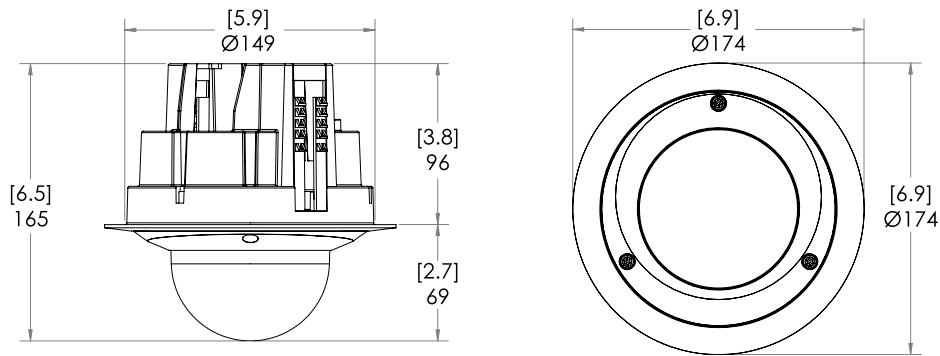
# OUTLINE DIMENSIONS

[X.X]	INCHES
X	MM

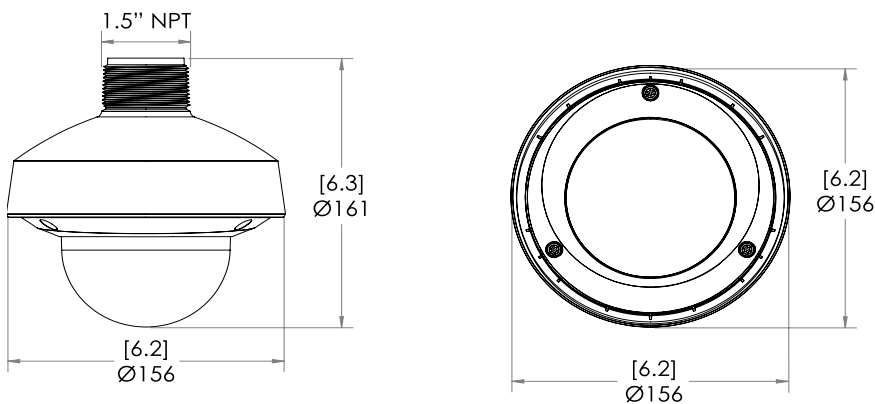
## DOME CAMERA WITH SURFACE MOUNT (H6SL DOME CAMERA + PROVIDED SURFACE MOUNT)



## DOME CAMERA WITH IN-CEILING MOUNT (H6SL DOME CAMERA + SLSPCIL-1001)

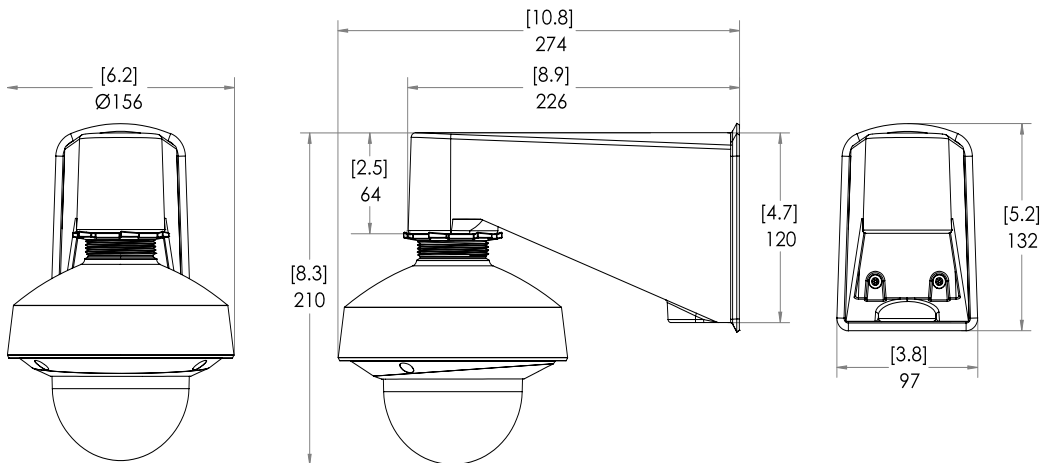


## DOME CAMERA WITH NPT ADAPTER (H6SL DOME CAMERA + H6SL-MT-NPTA1)

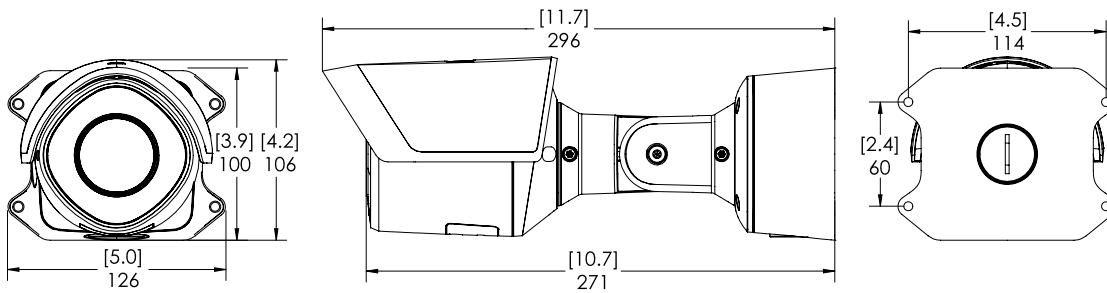


## DOME CAMERA WITH NPT ADAPTER AND PENDANT WALL MOUNT

(H6SL DOME CAMERA + H6SL-MT-NPTA1 + CM-MT-WALL1)

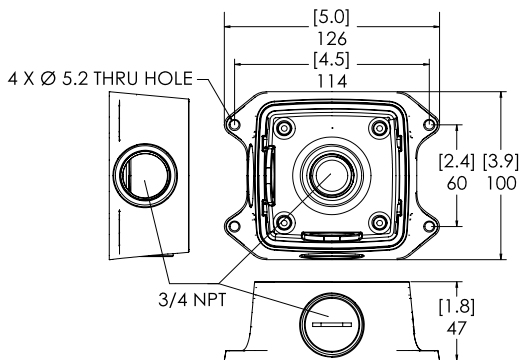


## BULLET CAMERA



## BULLET JUNCTION BOX

(PROVIDED WITH CAMERA)



# ORDERING INFORMATION

## DOME CAMERA

MODEL NUMBER	MP	LENS	IR	IP66/IP67, TYPE4X	DAYS OF STORAGE
2.0C-H6SL-D1-30	2.0	3.4-10.5 mm			30 Days
2.0C-H6SL-D1-60	2.0	3.4-10.5 mm			60 Days
2.0C-H6SL-D1-120	2.0	3.4-10.5 mm			120 Days
2.0C-H6SL-D1-IR-30	2.0	3.4-10.5 mm	✓		30 Days
2.0C-H6SL-D1-IR-60	2.0	3.4-10.5 mm	✓		60 Days
2.0C-H6SL-D1-IR-120	2.0	3.4-10.5 mm	✓		120 Days
2.0C-H6SL-DO1-IR-30	2.0	3.4-10.5 mm	✓	✓	30 Days
2.0C-H6SL-DO1-IR-60	2.0	3.4-10.5 mm	✓	✓	60 Days
2.0C-H6SL-DO1-IR-120	2.0	3.4-10.5 mm	✓	✓	120 Days
3.0C-H6SL-D1-30	3.0	3.4-10.5 mm			30 Days
3.0C-H6SL-D1-60	3.0	3.4-10.5 mm			60 Days
3.0C-H6SL-D1-120	3.0	3.4-10.5 mm			120 Days
3.0C-H6SL-D1-IR-30	3.0	3.4-10.5 mm	✓		30 Days
3.0C-H6SL-D1-IR-60	3.0	3.4-10.5 mm	✓		60 Days
3.0C-H6SL-D1-IR-120	3.0	3.4-10.5 mm	✓		120 Days
3.0C-H6SL-DO1-IR-30	3.0	3.4-10.5 mm	✓	✓	30 Days
3.0C-H6SL-DO1-IR-60	3.0	3.4-10.5 mm	✓	✓	60 Days
3.0C-H6SL-DO1-IR-120	3.0	3.4-10.5 mm	✓	✓	120 Days
5.0C-H6SL-D1-30	5.0	3.4-10.5 mm			30 Days
5.0C-H6SL-D1-60	5.0	3.4-10.5 mm			60 Days
5.0C-H6SL-D1-120	5.0	3.4-10.5 mm			120 Days
5.0C-H6SL-D1-IR-30	5.0	3.4-10.5 mm	✓		30 Days
5.0C-H6SL-D1-IR-60	5.0	3.4-10.5 mm	✓		60 Days
5.0C-H6SL-D1-IR-120	5.0	3.4-10.5 mm	✓		120 Days
5.0C-H6SL-DO1-IR-30	5.0	3.4-10.5 mm	✓	✓	30 Days
5.0C-H6SL-DO1-IR-60	5.0	3.4-10.5 mm	✓	✓	60 Days
5.0C-H6SL-DO1-IR-120	5.0	3.4-10.5 mm	✓	✓	120 Days



## BULLET CAMERA

MODEL NUMBER	MP	LENS	IR	IP66/IP67, TYPE4X	DAYS OF STORAGE
2.0C-H6SL-B01-IR-30	2.0	3.4-10.5 mm	✓	✓	30 Days
2.0C-H6SL-B01-IR-60	2.0	3.4-10.5 mm	✓	✓	60 Days
2.0C-H6SL-B01-IR-120	2.0	3.4-10.5 mm	✓	✓	120 Days
3.0C-H6SL-B01-IR-30	3.0	3.4-10.5 mm	✓	✓	30 Days
3.0C-H6SL-B01-IR-60	3.0	3.4-10.5 mm	✓	✓	60 Days
3.0C-H6SL-B01-IR-120	3.0	3.4-10.5 mm	✓	✓	120 Days
3.0C-H6SL-B02-IR-30	3.0	10.9-29 mm	✓	✓	30 Days
3.0C-H6SL-B02-IR-60	3.0	10.9-29 mm	✓	✓	60 Days
3.0C-H6SL-B02-IR-120	3.0	10.9-29 mm	✓	✓	120 Days
5.0C-H6SL-B01-IR-30	5.0	3.4-10.5 mm	✓	✓	30 Days
5.0C-H6SL-B01-IR-60	5.0	3.4-10.5 mm	✓	✓	60 Days
5.0C-H6SL-B01-IR-120	5.0	3.4-10.5 mm	✓	✓	120 Days
5.0C-H6SL-B02-IR-30	5.0	10.9-29 mm	✓	✓	30 Days
5.0C-H6SL-B02-IR-60	5.0	10.9-29 mm	✓	✓	60 Days
5.0C-H6SL-B02-IR-120	5.0	10.9-29 mm	✓	✓	120 Days

## ACCESSORIES

PART NUMBER	DESCRIPTION
CM-MT-WALL1	Wall Mount Arm for 1.5" NPT Pendant
PLMT-1001	Pole Mount Adapter for CM-MT-WALL1
CRNMT-1001	Corner Mount for CM-MT-WALL1
SLSPCIL-1001	In-ceiling mounting adapter for H6SL Dome Camera
H6SL-MT-NPTA1	Pendant NPT adapter for H6SL Dome Camera
DCLPNL-1001	Metal ceiling panel for suspended ceiling installations
H6SL-DO-SHLD1	Weathershield for H6SL Dome Camera
ACMICR-1001 <sup>1</sup>	Microphone accessory for Indoor H6SL Dome Camera
H6SL-DD-CLER1	Clear lower dome for H6SL Outdoor Dome Camera
H6SL-DD-SMOK1	Smoked lower dome for H6SL Outdoor Dome Camera
H6SL-DI-CLER1	Clear lower dome for H6SL Indoor Dome Camera
H6SL-DI-SMOK1	Smoked lower dome for H6SL Indoor Dome Camera
CNCVR-1001	Adapter 3/4 inch conduit for H6SL Dome Camera, 5-pack

<sup>1</sup> Will be supported soon.



Sep 2023 | Rev 1

© 2023, Motorola Solutions, Inc. All rights reserved. MOTOROLA, MOTO, MOTOROLA SOLUTIONS, and the Stylized M Logo are trademarks or registered trademarks of Motorola Trademark Holdings, LLC and are used under license.

sales@avigilon.com | [avigilon.com](http://avigilon.com)