

DS-2CD2563G2-I(S) 6 MP AcuSense Fixed mini Dome Network Camera

AcuSense



Empowered by deep learning algorithms, Hikvision AcuSense technology brings human and vehicle targets classification alarms to front- and back-end devices. The system focuses on human and vehicle targets, vastly improving alarm efficiency and effectiveness.

- High quality imaging with 6 MP resolution
- Clear imaging against strong backlight due to 120 dB WDR technology
- Efficient H.265+ compression technology
- Focus on human and vehicle targets classification based on deep learning
- -S: audio and alarm interface available
- Water and dust resistant (IP67) and vandal resistant (IK08)



▪ Specification

| Camera | |
|------------------------|--|
| Image Sensor | 1/2.8" Progressive Scan CMOS |
| Max. Resolution | 3200 × 1800 |
| Shutter Speed | 1/3 s to 1/100,000 s |
| Min. Illumination | Color: 0.005 Lux @ (F1.6, AGC ON), B/W: 0 Lux with IR |
| Day & Night | IR cut filter |
| Angle Adjustment | Pan: -30° to 30°, tilt: 0° to 75°, rotate: 0° to 360° |
| Lens | |
| Lens Type | Fixed focal lens, 2.8 and 4 mm optional |
| Focal Length & FOV | 2.8 mm, horizontal FOV 108.8°, vertical FOV 57.7°, diagonal FOV 129.4° 4 mm, horizontal FOV 87.6°, vertical FOV 44.4°, diagonal FOV 104.9° |
| Lens Mount | M12 |
| Iris Type | Fixed |
| Aperture | F1.6 |
| Depth of Field | 2.8 mm: 1.5 m to ∞ 4 mm: 1.9 m to ∞ |
| DORI | |
| DORI | 2.8 mm: D: 88 m O: 35 m R: 18 m I: 9 m 4 mm: D: 118 m O: 47 m R: 24 m I: 12 m |
| Illuminator | |
| Supplement Light Type | IR |
| Supplement Light Range | Up to 30 m |
| Smart Supplement Light | Yes |
| IR Wavelength | 850 nm |
| Video | |
| Main Stream | 50 Hz: 20 fps (3200 × 1800) 25 fps (2688 × 1520, 1920 × 1080, 1280 × 720) 60 Hz: 20 fps (3200 × 1800) 30 fps (2688 × 1520, 1920 × 1080, 1280 × 720) |
| Sub-Stream | 50 Hz: 25 fps (640 × 480, 640 × 360) 60 Hz: 30 fps (640 × 480, 640 × 360) |
| Third Stream | 50 Hz: 10 fps (1920 × 1080, 1280 × 720, 640 × 480, 640 × 360) 60 Hz: 10 fps (1920 × 1080, 1280 × 720, 640 × 480, 640 × 360) *Third stream is supported under certain settings. |

| | |
|-----------------------------|--|
| Video Compression | Main stream: H.265/H.264/H.265+/H.264+ Sub-stream: H.265/H.264/MJPEG Third stream: H.265/H.264 *Third stream is supported under certain settings. |
| Video Bit Rate | 32 Kbps to 16 Mbps |
| H.264 Type | Baseline Profile/Main Profile/High Profile |
| H.265 Type | Main Profile |
| Bit Rate Control | CBR/VBR |
| Scalable Video Coding (SVC) | H.264 and H.265 encoding |
| Region of Interest (ROI) | 1 fixed region for main stream and sub-stream |
| Audio | |
| Environment Noise Filtering | Yes |
| Audio Sampling Rate | 8 kHz/16 kHz/32 kHz/44.1 kHz/48 kHz |
| Audio Compression | G.711ulaw/G.711alaw/G.722.1/G.726/MP2L2/PCM/MP3/AAC |
| Audio Bit Rate | 64 Kbps (G.711ulaw/G.711alaw)/16 Kbps (G.722.1)/16 Kbps (G.726)/32 to 192 Kbps (MP2L2)/8 to 320 Kbps (MP3)/16 to 64 Kbps (AAC) |
| Network | |
| Simultaneous Live View | Up to 6 channels |
| API | Open Network Video Interface (Profile S, Profile G), ISAPI, SDK |
| Protocols | TCP/IP, ICMP, HTTP, HTTPS, FTP, DHCP, DNS, DDNS, RTP, RTSP, NTP, UPnP, SMTP, IGMP, 802.1X, QoS, IPv6, UDP, Bonjour, SSL/TLS, PPPoE |
| User/Host | Up to 32 users. 3 user levels: administrator, operator and user |
| Security | Password protection, complicated password, HTTPS encryption, IP address filter, Security Audit Log, basic and digest authentication for HTTP/HTTPS, TLS 1.1/1.2, WSSE and digest authentication for Open Network Video Interface |
| Network Storage | NAS (NFS, SMB/CIFS), auto network replenishment (ANR) |
| Client | iVMS-4200, Hik-Connect, Hik-Central |
| Web Browser | Plug-in required live view: IE 10, IE 11 Plug-in free live view : Chrome 57.0+, Firefox 52.0+ Local service: Chrome 57.0+, Firefox 52.0+ |
| Image | |
| Wide Dynamic Range (WDR) | 120 dB |
| SNR | ≥ 52 dB |
| Day/Night Switch | Day, Night, Auto, Schedule |
| Image Enhancement | BLC, HLC, 3D DNR |
| Image Parameters Switch | Yes |
| Image Settings | Rotate, mirror, privacy mask, saturation, brightness, contrast, sharpness, gain, white balance adjustable by client software or web browser |
| Interface | |
| Ethernet Interface | 1 RJ45 10 M/100 M self-adaptive Ethernet port |
| On-Board Storage | Built-in memory card slot, support microSD card, up to 256 GB |
| Built-in Microphone | Yes |

| | |
|----------------------------------|---|
| Audio | 1 input (line in), two-core terminal block, max. input amplitude: 3.3 Vpp, input impedance: 4.7 K Ω , interface type: non-equilibrium 1 output (line out), two-core terminal block, max. output amplitude: 3.3 Vpp, output impedance: 100 Ω , interface type: non-equilibrium |
| Alarm | -IS: 1 input, 1 output (max. 12 VDC, 20 mA) |
| Reset Key | Yes |
| Event | |
| Basic Event | Motion detection (human and vehicle targets classification), video tampering alarm, exception |
| Smart Event | Line crossing detection, intrusion detection Face detection |
| Linkage | Upload to FTP/NAS/memory card, notify surveillance center, trigger recording, trigger capture, send email |
| Deep Learning Function | |
| Perimeter Protection | Line crossing, intrusion Support alarm triggering by specified target types (human and vehicle) |
| General | |
| Power | 12 VDC \pm 25%, 0.5 A, max. 6 W, \varnothing 5.5 mm coaxial power plug, reverse polarity protection PoE: 802.3af, Class 3, 36 V to 57 V, 0.19 A to 0.12 A, max. 7 W |
| Material | Base: aluminum, cover: plastic |
| Dimension | \varnothing 110 mm \times 57.4 mm (\varnothing 4.3" \times 2.3") |
| Package Dimension | 134 mm \times 134 mm \times 108 mm (5.3" \times 5.3" \times 4.3") |
| Weight | Approx. 375 g (0.8 lb.) |
| With Package Weight | Approx. 610 g (1.3 lb.) |
| Storage Conditions | -30 $^{\circ}$ C to 60 $^{\circ}$ C (-22 $^{\circ}$ F to 140 $^{\circ}$ F). Humidity 95% or less (non-condensing) |
| Startup and Operating Conditions | -30 $^{\circ}$ C to 60 $^{\circ}$ C (-22 $^{\circ}$ F to 140 $^{\circ}$ F). Humidity 95% or less (non-condensing) |
| Language | 33 languages: English, Russian, Estonian, Bulgarian, Hungarian, Greek, German, Italian, Czech, Slovak, French, Polish, Dutch, Portuguese, Spanish, Romanian, Danish, Swedish, Norwegian, Finnish, Croatian, Slovenian, Serbian, Turkish, Korean, Traditional Chinese, Thai, Vietnamese, Japanese, Latvian, Lithuanian, Portuguese (Brazil), Ukrainian |
| General Function | Anti-flicker, heartbeat, password reset via email, pixel counter |
| Approval | |
| EMC | FCC (47 CFR Part 15, Subpart B) CE-EMC (EN 55032: 2015, EN 61000-3-2: 2019, EN 61000-3-3: 2013+A1: 2019, EN 50130-4: 2011+A1: 2014) RCM (AS/NZS CISPR 32: 2015) IC (ICES-003: Issue 7) KC (KN32: 2015, KN35: 2015) |
| Safety | UL (UL 62368-1) CB (IEC 62368-1: 2014+A11) CE-LVD (EN 62368-1: 2014/A11: 2017) |

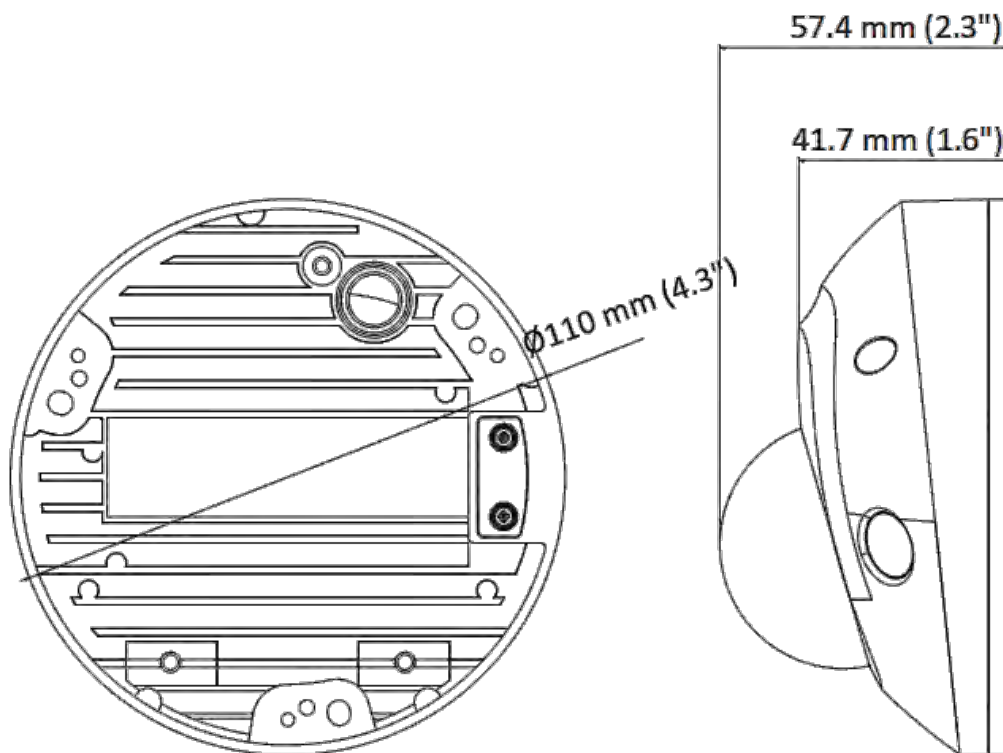
| | |
|-------------|---|
| Environment | CE-RoHS (2011/65/EU) WEEE (2012/19/EU) Reach (Regulation (EC) No 1907/2006) |
| Protection | IP67 (IEC 60529-2013) IK8 (IEC 62262:2002) |

▪ Available Model

DS-2CD2563G2-IS (2.8/4 mm)

DS-2CD2563G2-I (2.8/4 mm)

DS-2CD2563G2-IS (2.8 mm)

▪ Dimension

Unit: mm (inch)

▪ Accessory

▪ Optional

| | | | | |
|--|--|--|--|--|
| DS-1276ZJ-SUS (Black) Corner Mount | DS-1280ZJ-DM46 (Black) Junction Box | DS-1272ZJ-120 Wall Mount | DS-1280ZJ-DM46 Junction Box | DS-1275ZJ-SUS Vertical Pole Mount |
|  |  |  |  |  |
| DS-1272ZJ-120B Wall mount | DS-1275ZJ-SUS (Black) Vertical Pole Mount | DS-1271ZJ-120 (Black) Pendant Mount | DS-1276ZJ-SUS Corner Mount | DS-1271ZJ-120 Pendant Mount |
|  |  |  |  |  |

Distributed by

HIKVISION

Headquarters

No.555 Qianmo Road, Binjiang District,
 Hangzhou 310051, China
 T +86-571-8807-5998
 overseasbusiness@hikvision.com

Hikvision USA
 T +1-909-895-0400
 sales.usa@hikvision.com

Hikvision Australia
 T +61-2-8599-4233
 salesau@hikvision.com

Hikvision India
 T +91-22-28469900
 sales@pramahikvision.com

Hikvision Canada
 T +1-866-200-6690
 sales.canada@hikvision.com

Hikvision Thailand
 T +662-275-9949
 sales.thailand@hikvision.com

Hikvision Europe
 T +31-23-5542770
 sales.eu@hikvision.com

Hikvision Italy
 T +39-0438-6902
 info.it@hikvision.com

Hikvision Brazil
 T +55 11 3318-0050
 Latam.support@hikvision.com

Hikvision Turkey
 T +90 [216]521 7070- 7074
 sales.tr@hikvision.com

Hikvision Malaysia
 T +601-7652-2413
 sales.my@hikvision.com

Hikvision UK & Ireland
 T +01628-902140
 sales.uk@hikvision.com

Hikvision South Africa
 Tel: +27 (10) 0351172
 sale.africa@hikvision.com

Hikvision France
 T +33(0)1-85-330-450
 info.fr@hikvision.com

Hikvision Kazakhstan
 T +7-727-9730667
 nikia.panfilov@hikvision.ru

Hikvision Vietnam
 T +84-974270888
 sales.vt@hikvision.com

Hikvision UAE
 T +971-4-4432090
 salesme@hikvision.com

Hikvision Singapore
 T +65-6684-4718
 sg@hikvision.com

Hikvision Spain
 T +34-91-737-16-55
 info.es@hikvision.com

Hikvision Tashkent
 T +99-87-1238-9438
 uzb@hikvision.ru

Hikvision Hong Kong
 T +852-2151-1761
 info.hk@hikvision.com

Hikvision Russia
 T +7-495-669-67-99
 saleru@hikvision.com

Hikvision Korea
 T +82-031-731-8817
 sales.korea@hikvision.com

Hikvision Poland
 T +48-22-460-01-50
 info.pl@hikvision.com

Hikvision Indonesia
 T +62-21-2933759
 Sales.Indonesia@hikvision.com

Hikvision Colombia
 sales.colombia@hikvision.com