

## DS-K1102A Card Reader



- Built-in audible beeper
- RS-485 and Wiegand (W26 / W34) protocol
- Tamper-proof alarm
- Supports reading EM card (Frequency: 125 KHz) (DS-K1102AE/DS-K1102AEK/DS-1102AEM)
- Supports reading M1 card (Frequency: 13.56 MHz) (DS-K1102AM/DS-K1102AMK/DS-K1102AEMK)

## ▪ Specification

Authentication	
Card reading frequency	DS-K1102AE/DS-K1102AEK/DS-K1102AEM/DS-K1102AEMK: 125 KHz DS-K1102AM/DS-K1102AMK/DS-K1102AEM/DS-K1102AEMK: 13.56 MHz
General	
Power supply	12 VDC, 500 mA
Power consumption	≤ 2 W
Working temperature	-20 °C to 65 °C (-4 °F to 149 °F)
Working humidity	10% to 90% (no condensing)
Dimensions	121 mm × 86.5 mm × 14 mm (4.76" × 3.41" × 0.55")
Installation	Applied for 86 & 120 gang box
Weight	≤ 0.14 kg (0.3 lb)
Keypad	DS-K1102AE/DS-K1102AM/DS-K1102AEM: No Keypad DS-K1102AEK/DS-K1102AMK/DS-K1102AEMK: Keypad with 12 keys (0 to 9, *, #)
Buzzer	Beeper
Function	
ID settings	via DIP switch

## ▪ Available Model

DS-K1102AE

DS-K1102AEK

DS-K1102AEM





DS-K1102AEMK

DS-K1102AM

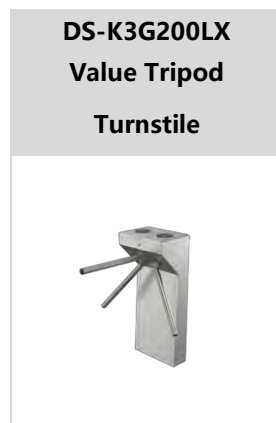
DS-K1102AMKZ

▪ **Accessory**

▪ **Included**

<b>DS-K3B411SX</b> Value Swing Barriers	<b>DS-K3B411BX</b> Value Swing Barriers	<b>DS-K3G200X</b> Value Tripod Turnstile	<b>DS-K3B411BLX</b> Value Swing Barriers
			

▪ **Optional**



**Headquarters**

No.555 Qianmo Road, Binjiang District,  
Hangzhou 310051, China  
T +86-571-8807-5998  
www.hikvision.com



Follow us on social media to get the latest product and solution information.

