

## DS-2CD2T47G2H-LI

### 4 MP Smart Hybrid Light with ColorVu Fixed Bullet Network Camera

ColorVu



- High quality imaging with 4 MP resolution
- Smart Hybrid Light: advanced technology with long range
- Clear imaging against strong back light due to 130 dB WDR technology
- Efficient H.265+ compression technology
- Focus on human and vehicle classification based on deep learning
- Water and dust resistant (IP67)

## ▪ Specification

| Camera                      |                                                                                                                                                                                          |
|-----------------------------|------------------------------------------------------------------------------------------------------------------------------------------------------------------------------------------|
| Image Sensor                | 1/1.8" Progressive Scan CMOS                                                                                                                                                             |
| Max. Resolution             | 2688 × 1520                                                                                                                                                                              |
| Min. Illumination           | Color: 0.0005 Lux @ (F1.0, AGC ON), 0 Lux with light                                                                                                                                     |
| Shutter Time                | 1/3 s to 1/100,000 s                                                                                                                                                                     |
| Day & Night                 | IR cut filter                                                                                                                                                                            |
| Angle Adjustment            | Pan: 0° to 360°, tilt: 0° to 90°, rotate: 0° to 360°                                                                                                                                     |
| Lens                        |                                                                                                                                                                                          |
| Lens Type                   | Fixed focal lens, 2.8 and 4 mm optional                                                                                                                                                  |
| Focal Length & FOV          | 2.8 mm, horizontal FOV 104.0°, vertical FOV 54.4°, diagonal FOV 126.7°<br>4 mm, horizontal FOV 89.2°, vertical FOV 45.5°, diagonal FOV 108.2°                                            |
| Lens Mount                  | M16                                                                                                                                                                                      |
| Iris Type                   | Fixed                                                                                                                                                                                    |
| Aperture                    | F1.0                                                                                                                                                                                     |
| Depth of Field              | 2.8 mm: 2.5 m to ∞<br>4 mm: 3.1 m to ∞                                                                                                                                                   |
| DORI                        |                                                                                                                                                                                          |
| DORI                        | 2.8 mm: D: 61 m, O: 24 m, R: 12 m, I: 6 m<br>4 mm: D: 75 m, O: 30 m, R: 15 m, I: 7 m                                                                                                     |
| Illuminator                 |                                                                                                                                                                                          |
| Supplement Light Type       | IR, White Light                                                                                                                                                                          |
| Supplement Light Range      | Up to 60 m                                                                                                                                                                               |
| Smart Supplement Light      | Yes                                                                                                                                                                                      |
| IR Wavelength               | 850 nm                                                                                                                                                                                   |
| Video                       |                                                                                                                                                                                          |
| Main Stream                 | 50 Hz: 25 fps (2688 × 1520, 1920 × 1080, 1280 × 720)<br>60 Hz: 30 fps (2688 × 1520, 1920 × 1080, 1280 × 720)                                                                             |
| Sub-Stream                  | 50 Hz: 25 fps (1280 × 720, 640 × 480, 640 × 360)<br>60 Hz: 30 fps (1280 × 720, 640 × 480, 640 × 360)                                                                                     |
| Third Stream                | 50 Hz: 10 fps (1920 × 1080, 1280 × 720, 640 × 480, 640 × 360)<br>60 Hz: 10 fps (1920 × 1080, 1280 × 720, 640 × 480, 640 × 360)<br>*The third stream is supported under certain settings. |
| Video Compression           | Main stream: H.265/H.264/H.264+/H.265+,<br>Sub-stream: H.265/H.264/MJPEG,<br>Third stream: H.265/H.264,<br>*Third stream is supported under certain settings.                            |
| Video Bit Rate              | 32 Kbps to 8 Mbps                                                                                                                                                                        |
| H.264 Type                  | Baseline Profile, Main Profile, High Profile                                                                                                                                             |
| H.265 Type                  | Main Profile                                                                                                                                                                             |
| Bit Rate Control            | CBR, VBR                                                                                                                                                                                 |
| Scalable Video Coding (SVC) | H.264 and H.265 encoding                                                                                                                                                                 |
| Region of Interest (ROI)    | 1 fixed region for main stream and sub-stream                                                                                                                                            |

| <b>Network</b>                |                                                                                                                                                                                                                                                                                                                                                                                       |
|-------------------------------|---------------------------------------------------------------------------------------------------------------------------------------------------------------------------------------------------------------------------------------------------------------------------------------------------------------------------------------------------------------------------------------|
| Protocols                     | TCP/IP, ICMP, HTTP, HTTPS, FTP, DHCP, DNS, DDNS, RTP, RTSP, RTCP, NTP, UPnP, SMTP, IGMP, 802.1X, QoS, IPv4, IPv6, UDP, Bonjour, SSL/TLS, PPPoE, SNMP, WebSocket, WebSockets, SRTP, SFTP                                                                                                                                                                                               |
| Simultaneous Live View        | Up to 6 channels                                                                                                                                                                                                                                                                                                                                                                      |
| API                           | Open Network Video Interface (Profile S, Profile G, Profile T), ISAPI, SDK, ISUP                                                                                                                                                                                                                                                                                                      |
| User/Host                     | Up to 32 users<br>3 user levels: administrator, operator, and user                                                                                                                                                                                                                                                                                                                    |
| Security                      | Password protection, complicated password, HTTPS encryption, 802.1X authentication (EAP-TLS, EAP-LEAP, EAP-MD5), watermark, IP address filter, basic and digest authentication for HTTP/HTTPS, WSSE and digest authentication for Open Network Video Interface, RTP/RTSP over HTTPS, control timeout settings, security audit log, TLS 1.1/1.2/1.3, host authentication (MAC address) |
| Network Storage               | NAS (NFS, SMB/CIFS), Auto Network Replenishment (ANR)                                                                                                                                                                                                                                                                                                                                 |
| Client                        | iVMS-4200, Hik-Connect, Hik-Central                                                                                                                                                                                                                                                                                                                                                   |
| Web Browser                   | Plug-in required live view: IE 10, IE 11,<br>Plug-in free live view: Chrome 57.0+, Firefox 52.0+, Edge 89+,<br>Local service: Chrome 57.0+, Firefox 52.0+, Edge 89+                                                                                                                                                                                                                   |
| <b>Image</b>                  |                                                                                                                                                                                                                                                                                                                                                                                       |
| Image Parameters Switch       | Yes                                                                                                                                                                                                                                                                                                                                                                                   |
| Image Settings                | Rotate mode, saturation, brightness, contrast, sharpness, gain, white balance, adjustable by client software or web browser                                                                                                                                                                                                                                                           |
| Day/Night Switch              | Day, Night, Auto, Schedule                                                                                                                                                                                                                                                                                                                                                            |
| Image Enhancement             | BLC, HLC, 3D DNR                                                                                                                                                                                                                                                                                                                                                                      |
| SNR                           | ≥ 52 dB                                                                                                                                                                                                                                                                                                                                                                               |
| Wide Dynamic Range (WDR)      | 130 dB                                                                                                                                                                                                                                                                                                                                                                                |
| Privacy Mask                  | 4 programmable polygon privacy masks                                                                                                                                                                                                                                                                                                                                                  |
| <b>Interface</b>              |                                                                                                                                                                                                                                                                                                                                                                                       |
| Ethernet Interface            | 1 RJ45 10 M/100 M self-adaptive Ethernet port                                                                                                                                                                                                                                                                                                                                         |
| On-Board Storage              | Built-in memory card slot, support microSD/microSDHC/microSDXC card, up to 512 GB                                                                                                                                                                                                                                                                                                     |
| Reset Key                     | Yes                                                                                                                                                                                                                                                                                                                                                                                   |
| <b>Event</b>                  |                                                                                                                                                                                                                                                                                                                                                                                       |
| Basic Event                   | Motion detection (support alarm triggering by specified target types (human and vehicle)), video tampering alarm, exception                                                                                                                                                                                                                                                           |
| Linkage                       | Upload to FTP/NAS/memory card, notify surveillance center, trigger recording, trigger capture, send email                                                                                                                                                                                                                                                                             |
| Smart Event                   | Scene change detection                                                                                                                                                                                                                                                                                                                                                                |
| <b>Deep Learning Function</b> |                                                                                                                                                                                                                                                                                                                                                                                       |
| Face Capture                  | Yes                                                                                                                                                                                                                                                                                                                                                                                   |
| Perimeter Protection          | Line crossing, intrusion, region entrance, region exiting<br>Support alarm triggering by specified target types (human and vehicle)                                                                                                                                                                                                                                                   |
| <b>General</b>                |                                                                                                                                                                                                                                                                                                                                                                                       |
| Power                         | 12 VDC ± 25%, 0.66 A, max. 8 W, Ø5.5 mm coaxial power plug, reverse polarity protection,<br>PoE: IEEE 802.3af, Class 3, max. 9 W                                                                                                                                                                                                                                                      |
| Material                      | Front cover: Metal, body: Metal, bracket: Metal                                                                                                                                                                                                                                                                                                                                       |

|                                  |                                                                                                                                                                                                                                                                                                                                                       |
|----------------------------------|-------------------------------------------------------------------------------------------------------------------------------------------------------------------------------------------------------------------------------------------------------------------------------------------------------------------------------------------------------|
| Dimension                        | 286.7 mm × 93.3 mm × 91.2 mm (11.3" × 3.7" × 3.6")                                                                                                                                                                                                                                                                                                    |
| Package Dimension                | 386 mm × 156 mm × 155 mm (15.2" × 6.1" × 6.1")                                                                                                                                                                                                                                                                                                        |
| Weight                           | Approx. 1085 g (2.4 lb.)                                                                                                                                                                                                                                                                                                                              |
| With Package Weight              | Approx. 1639 g (3.6 lb.)                                                                                                                                                                                                                                                                                                                              |
| Storage Conditions               | -30 °C to 60 °C (-22 °F to 140 °F). Humidity 95% or less (non-condensing)                                                                                                                                                                                                                                                                             |
| Startup and Operating Conditions | -30 °C to 60 °C (-22 °F to 140 °F). Humidity 95% or less (non-condensing)                                                                                                                                                                                                                                                                             |
| General Function                 | Heartbeat, mirror, password reset via email, pixel counter, anti-banding                                                                                                                                                                                                                                                                              |
| Language                         | 33 languages: English, Russian, Estonian, Bulgarian, Hungarian, Greek, German, Italian, Czech, Slovak, French, Polish, Dutch, Portuguese, Spanish, Romanian, Danish, Swedish, Norwegian, Finnish, Croatian, Slovenian, Serbian, Turkish, Korean, Traditional Chinese, Thai, Vietnamese, Japanese, Latvian, Lithuanian, Portuguese (Brazil), Ukrainian |
| <b>Approval</b>                  |                                                                                                                                                                                                                                                                                                                                                       |
| EMC                              | CE-EMC: EN 55032: 2015, EN 61000-3-2:2019, EN 61000-3-3: 2013+A1:2019, EN 50130-4: 2011 +A1: 2014,<br>RCM: AS/NZS CISPR 32: 2015,<br>IC: ICES-003: Issue 7,<br>KC: KN32: 2015, KN35: 2015                                                                                                                                                             |
| Safety                           | UL: UL 62368-1,<br>CB: IEC 62368-1: 2014+A11,<br>CE-LVD: EN 62368-1: 2014/A11: 2017,<br>BIS: IS 13252 (Part 1): 2010/IEC 60950-1: 2005                                                                                                                                                                                                                |
| Environment                      | CE-RoHS: 2011/65/EU                                                                                                                                                                                                                                                                                                                                   |
| Protection                       | IP67: IEC 60529-2013                                                                                                                                                                                                                                                                                                                                  |

## ▪ Typical Application

Hikvision products are classified into three levels according to their anti-corrosion performance. Refer to the following description to choose for your using environment.

This model has NO SPECIFIC PROTECTION.

| Level                  | Description                                                                                                                                                                                                                                            |
|------------------------|--------------------------------------------------------------------------------------------------------------------------------------------------------------------------------------------------------------------------------------------------------|
| Top-level protection   | Hikvision products at this level are equipped for use in areas where professional anti-corrosion protection is a must. Typical application scenarios include coastlines, docks, chemical plants, and more.                                             |
| Moderate protection    | Hikvision products at this level are equipped for use in areas with moderate anti-corrosion demands. Typical application scenarios include coastal areas about 2 kilometers (1.24 miles) away from coastlines, as well as areas affected by acid rain. |
| No specific protection | Hikvision products at this level are equipped for use in areas where no specific anti-corrosion protection is needed.                                                                                                                                  |

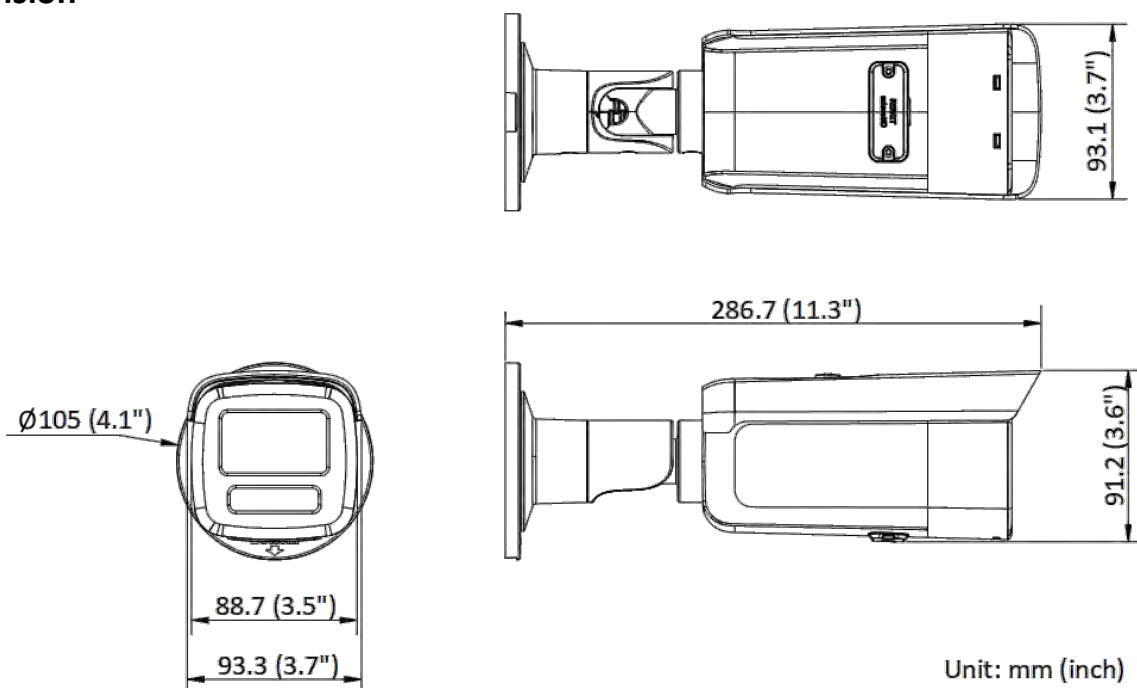
## ▪ Available Model

DS-2CD2T47G2H-LI(2.8mm)/Black

DS-2CD2T47G2H-LI(2.8mm)

DS-2CD2T47G2H-LI(4mm)

▪ Dimension



▪ Accessory

▪ Optional

| DS-1275ZJ-SUS<br>Vertical Pole Mount        | DS-1276ZJ-SUS<br>Corner Mount        | DS-1260ZJ<br>Junction Box        | DS-1280ZJ-S<br>Junction Box        | DS-1275ZJ-S-SUS<br>Vertical Pole Mount |
|---------------------------------------------|--------------------------------------|----------------------------------|------------------------------------|----------------------------------------|
|                                             |                                      |                                  |                                    |                                        |
| DS-1275ZJ-SUS(Black)<br>Vertical Pole Mount | DS-1276ZJ-SUS(Black)<br>Corner Mount | DS-1260ZJ(Black)<br>Junction Box | DS-1280ZJ-S(Black)<br>Junction Box |                                        |
|                                             |                                      |                                  |                                    |                                        |

**Headquarters**

No.555 Qianmo Road, Binjiang District,  
Hangzhou 310051, China  
T +86-571-8807-5998  
www.hikvision.com



Follow us on social media to get the latest product and solution information.

