

# 35 SERIES

## HC35W43R3

## HC35W45R3

## HC35W48R3



3MP/5MP/8MP IP WDR IR Rugged Mini Dome Camera



| OPERATIONAL                     |  |
|---------------------------------|--|
| Video Standard                  | NTSC / PAL   |
| Scanning System                 | Progressive  |
| Image Sensor                    | HC35W43R3: 1/2.7" CMOS<br>HC35W45R3/HC35W48R3: 1/2.8" CMOS   |
| Sensor Size (H x V)             | HC35W43R3: 4.608 mm x 2.592 mm<br>HC35W45R3: 5.184 mm x 3.888 mm<br>HC35W48R3: 5.568 mm x 3.132 mm   |
| Number Of Pixels(H x V)         | HC35W43R3: 2304 x 1296<br>HC35W45R3: 2592 x 1944<br>HC35W48R3: 3840 x 2160   |
| Minimum Illumination (Color/BW) | HC35W43R3: 0.005 Lux / F1.6 (Color,30 IRE), 0 Lux / F1.6 (IR ON)<br>HC35W45R3: 0.007 Lux / F2.0 (Color,30 IRE), 0 Lux / F2.0 (IR ON)<br>HC35W48R3: 0.009 Lux / F2.0 (Color,30 IRE), 0 Lux / F2.0 (IR ON) |
| S/N Ratio                       | 50 dB  |
| Electronic Shutter Speed        | 1/8 ~ 1/32,000   |
| IR Distance                     | up to 40 M   |
| IR Light Control                | Smart IR (Auto/Manual)/OFF   |
| IR Light Number                 | 2  |
| Day/Night                       | Auto (ICR) / Color / BW  |
| Backlight Compensation          | WDR, BLC, HLC  |
| White Balance                   | Auto / Tungsten / Fluorescent / Daylight / Shadow / Manual   |
| Gain Control                    | 0-100%   |
| Wide Dynamic Range              | 120 dB   |
| Noise Reduction                 | 2D / 3D DNR  |
| Lens                            | HC35W43R3: 2.8 mm Fixed Iris, F1.6<br>HC35W45R3/HC35W48R3: 2.8 mm, Fixed Iris, F2.0  |
| Angle Of View                   | HC35W43R3: H:88°, V:47°<br>HC35W45R3: H:93°, V:68°<br>HC35W48R3: H:100°, V:54°   |
| Privacy Masking                 | Off / On (4 Areas)   |
| Defog                           | HC35W43R3: Not supported<br>HC35W45R3/HC35W48R3: Supported   |
| Local Storage                   | Micro SD (up to 256 GB)  |
| Alarm Inputs/Outputs            | HC35W43R3: Not supported<br>HC35W45R3/HC35W48R3: 1 In / 1 Out  |
| Pan Range                       | 0°-330°  |
| Tilt Range                      | 0°-75°   |
| Rotation Range                  | 0°-337°  |

\*For detailed information about frame rate and bit rate, please refer to the User Guide.

\*\*Some development may be required in specific user cases to support some of these protocols in the field as they mature over time.

| VIDEO                   |  |  |
|-------------------------|--|--|
| Video Compression       | H.265 HEVC/H.264/MJPEG, Smart Codec  |  |
| Resolution              | HC35W43R3  | 1st: 2304 x 1296 / 1920 x 1080 / 1280 x 720<br>2nd: 704 x 576 (PAL) / 704 x 480 (NTSC) / 640 x 480 / 352 x 288 (PAL) / 352 x 240 (NTSC)<br>3rd: 640 x 480 / 352 x 288 (PAL) / 352 x 240 (NTSC) / 320 x 240   |
|                         | HC35W45R3  | 1st: 2592 x 1944 / 2592 x 1520 / 1920 x 1080 / 1280 x 720<br>2nd: 704 x 576 (PAL) / 704 x 480 (NTSC) / 640 x 480 / 352 x 288 (PAL) / 352 x 240 (NTSC)<br>3rd: 1920 x 1080 (MAX 12fps) / 640 x 480 / 352 x 288 (PAL) / 352 x 240 (NTSC) / 320 x 240     |
|                         | HC35W48R3  | 1st: 3840 x 2160 / 2592 x 1944 / 2592 x 1520 / 2560 x 1440 / 2304 x 1296 / 1920 x 1080 / 1280 x 720<br>2nd: 704 x 576 (PAL) / 704 x 480 (NTSC) / 640 x 480 / 352 x 288 (PAL) / 352 x 240 (NTSC)<br>3rd: 640 x 480 / 352 x 288 (PAL) / 352 x 240 (NTSC) |
| Number of Video Streams | 3 (2 for encryption)   |  |
| Frame Rate*             | MAX 30 fps   |  |
| Bit Rate*               | HC35W43R3: 100K~6 Mbps<br>HC35W45R3: 100K~12 Mbps<br>HC35W48R3: 100K~16 Mbps   |  |
| AUDIO                   |  |  |
| Audio Compression       | HC35W43R3: Not supported<br>HC35W45R3/HC35W48R3: G.711A/G.711U   |  |
| Audio Stream            | HC35W43R3: Not supported<br>HC35W45R3/HC35W48R3: 2-Way, Full duplex  |  |
| Audio Interface         | HC35W43R3: Not supported<br>HC35W45R3/HC35W48R3: Line In/Out   |  |
| NETWORK                 |  |  |
| Ethernet                | 10 Base-T/100 Base-TX Ethernet (RJ-45)   |  |
| Supported Web Browsers  | Chrome/Edge  |  |
| Supported OS            | Microsoft Windows 10   |  |
| Protocols**             | IPv4, IPv6, TCP / IP, HTTP, HTTPS, RTSP / RTP / RTCP, IGMP / Multicast, SMTP, DHCP, NTP, DNS, QoS, SNMP, 802.1X, UDP, ICMP, ARP, TLS                                 |  |
| Interoperability        | ONVIF Profile G/S/T  |  |
| Maximum Users Access    | 10 Users   |  |
| Security                | User account and password protection, HTTPS, IP Filter, Digest authentication, TLS1.2 only, Stream encryption, AES128 / 256, SSH / Telnet closed, PCI-DSS compliance |  |
| Languages Supported     | Arabic, Czech, Dutch, English, French, German, Italian, Japanese, Korean, Polish, Portuguese (Brazil), Russian, Spanish, Turkish                                     |  |

**Honeywell**

# 35 SERIES 3MP/5MP/8MP IP WDR IR RUGGED MINI DOME CAMERA

## EVENTS / ANALYTICS

|                                 |  |
|---------------------------------|--|
| <b>Built-in Video Analytics</b> | HC35W43R3: Motion Detection, Tampering<br>HC35W45R3/HC35W48R3: People Counter, Multi Loitering, Intrusion, Tampering, Smart Motion Detection (SMD), Motion Detection |
| <b>Event Type</b>               | HC35W43R3: Video motion detection, Recording notification<br>HC35W45R3/HC35W48R3: Video motion detection, Alarm input, Recording notification, Tampering             |
| <b>Event Linkage</b>            | HC35W43R3: Event notification using Email and MicroSD card<br>HC35W45R3/HC35W48R3: Event notification using digital output, Email and MicroSD card                   |
| <b>Region Of Interest</b>       | 8  |

## ELECTRICAL

|                                |   |
|--------------------------------|---|
| <b>Power Supply</b>            | DC12V, PoE (IEEE 802.3af) (Class 0)                                   |
| <b>Power Consumption (Max)</b> | HC35W43R3: MAX 3.6 W<br>HC35W45R3: MAX 4.08 W<br>HC35W48R3: MAX 5.5 W |

## MECHANICAL

|                       |   |
|-----------------------|---|
| <b>Dimensions</b>     | Ø110.0 mm × 85.6 mm (Ø4.33" × 3.37")                                      |
| <b>Dome Diameter</b>  | Ø78.2 mm (3.08")  |
| <b>Product Weight</b> | 0.56 kg (1.23 lb)   |
| <b>Package Weight</b> | 0.65 kg (1.43 lb)   |
| <b>Body Material</b>  | Die-cast aluminium housing  |
| <b>Color</b>          | Camera Body: RAL 9003 (Signal White)<br>Front/Lens Facings: Pantone Black |

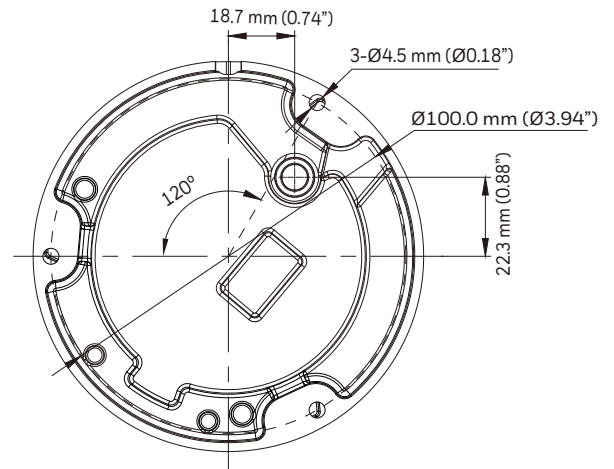
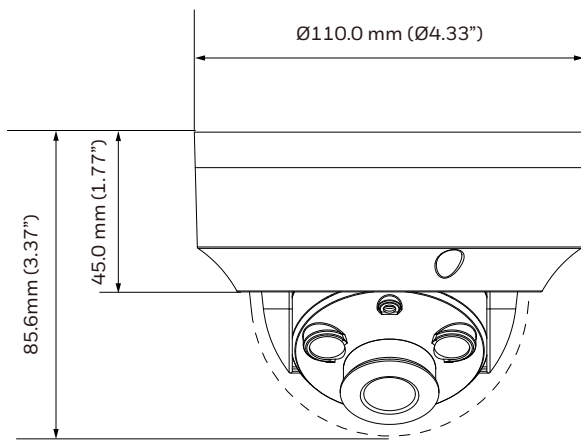
## ENVIRONMENTAL

|                              |   |
|------------------------------|---|
| <b>Operating Temperature</b> | Starting Temperature:<br>-40°C ~ 60°C (-40°F ~ 140°F)<br>Working Temperature:<br>-40°C ~ 60°C (-40°F ~ 140°F) |
| <b>Relative Humidity</b>     | Less than 90 %, non-condensing  |
| <b>Ingress Protection</b>    | IP66/IP67   |
| <b>Impact Resistance</b>     | IK10  |

## REGULATORY

|                          |   |
|--------------------------|---|
| <b>Emissions</b>         | FCC PART 15, CE (EN 55032), Complies with RCM and UKCA                  |
| <b>Immunity</b>          | CE(EN 50130-4), Complies with RCM and UKCA                              |
| <b>Safety</b>            | UL LISTED TO UL/CSA 62368-1, CE(EN 62368-1), Complies with RCM and UKCA |
| <b>RoHS</b>              | CE (EN 63000), UAE(Cabinet Decree No.10 of 2017)                        |
| <b>Country of Origin</b> | Vietnam   |

## DIMENSIONS



# 35 SERIES 3MP/5MP/8MP IP WDR IR RUGGED MINI DOME CAMERA

## RECOMMENDED ACCESSORIES AND ORDERING

| SYSTEM INTEGRATION*    |   |
|------------------------|---|
| Pro-Watch NVR          | Up to 256 IP channels RAID5 / 6 Enterprise NVR                        |
| MAXPRO NVR PE          | Up to 128 IP channels RAID5 / 6 Enterprise NVR                        |
| MAXPRO NVR SE          | Up to 64 IP channels System NVR                                       |
| MAXPRO NVR XE          | Up to 16 IP channels System NVR                                       |
| MAXPRO NVR SOFTWARE    | Up to 128 IP channels Recording Software                              |
| ADPRO NVR FASTTRACE 2E | Up to 32 IP channels with up to 32 VA channels NVRs                   |
| ADPRO NVR iFT-E        | Up to 32 IP channels with up to 32 VA channels NVRs                   |
| ADPRO NVR iFT          | Up to 32 IP channels or 16 IP channels with up to 16 VA channels NVRs |
| ADPRO NVR iFT GATEWAY  | 4 IP channels + 4 VA channels   |
| Honeywell DVM          | Support with Honeywell DVM R7.10.1 (and later maintenance releases)   |
| 30 Series NVR          | Integration with 30 Series NVR  |
| 35 Series NVR**        | Integration with 35 Series NVR  |

\*Refer to the NVR integration matrix for more information.

\*\*35 Series NVR will be released in June 2022.

| OPTIONAL MOUNTS AND ACCESSORIES |                                       |
|---------------------------------|---------------------------------------|
| HA35PMC03                       | 35S fixed camera cap, 1.5NPT male     |
| HA60JCBH1                       | 60S junction box                      |
| HA35CLM01                       | 35S Ceiling mount base with adapter   |
| HA35CLM02                       | 35S ceiling mount extension ,252mm    |
| HA60WLMB1                       | 60S wall mount bracket, 1.5NPT female |
| HA60PLMZ                        | 60S pole mount adapter                |
| HA60CNMZ                        | 60S corner mount adapter              |

### ORDERING

|           |   |
|-----------|---|
| HC35W43R3 | 3 MP IR Rugged Mini Dome Camera, WDR 120dB, 2.8mm, POE, DC12V, IK10                       |
| HC35W45R3 | 5 MP IR Rugged Mini Dome Camera, WDR 120dB, 2.8mm, POE, DC12V, Audio & Alarm In/Out, IK10 |
| HC35W48R3 | 8 MP IR Rugged Mini Dome Camera, WDR 120dB, 2.8mm, POE, DC12V, Audio & Alarm In/Out, IK10 |

#### For More Information

[www.security.honeywell.com/uk](http://www.security.honeywell.com/uk)  
[buildings.honeywell.com/security](http://buildings.honeywell.com/security)

#### Honeywell Commercial Security

Building 5 Carlton Park  
King Edward Avenue  
Narborough, Leicester  
LE19 0AL

Tel: +44 (0)1163 500714

[www.honeywell.com](http://www.honeywell.com)



ONVIF and the ONVIF logo are trademarks of ONVIF Inc.  
HEVC Advance logo is a trademark of HEVC Advance  
Honeywell reserves the right, without notification, to  
make changes in product design or specifications.

HSV-HC35W4xR3-01-UK(0622)DS-Y  
© 2022 Honeywell International Inc.

**Honeywell**