

SBV-138TMW

Tilt Mount

FC |  | CE | ENEC

Key Features

- Material: Aluminum
- Dimensions: $\varnothing 137.9 \times 56.8 \text{mm}$ ($\varnothing 5.43 \times 2.24''$)
- Weight: 220g
- Color: White
- Supported products: QNV-6072R/6082R, QNV-7082R, QNV-8080R, LNV-6072R

SBV-138TMW

Tilt Mount



Specifications

Mechanical

Color	White
Material	Aluminum
RAL code	RAL9003
Product dimensions / weight	Ø137.9x56.8mm(Ø5.43x2.24"), 220g
Mount Screw size	TR20
Supported products	QNV-6072R/6082R, QNV-7082R, QNV-8080R LNV-6072R

SBV-138TMW

Tilt Mount

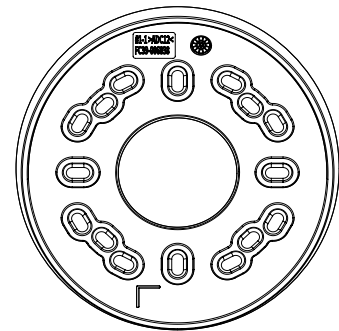
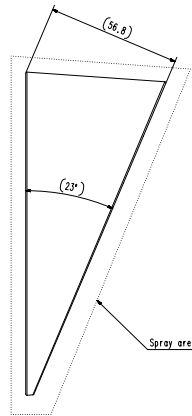
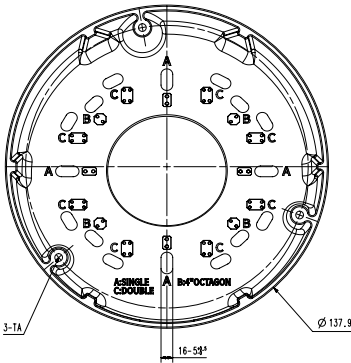
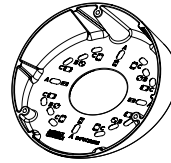
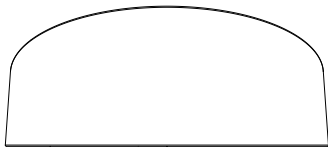


CAD

Unit: mm [inch]

This parts should not contain any substances which are specified in JMS-005K

NO	PART NAME	CODE NO.	MATERIAL	Q'TY	REMARK
1	MOUNT-TILT-SBV-138TMW	FC39-006839A	Check note	1	-



* Unspecified threads must be non sprayed

NOTE: Die-Casting

1. Material and Basic gull thickness : ADC12, 12.5
2. After die casting the location must be finished with HTB designer.
3. Factor die flash must be less than 0.3 mmh (0.1 inch), no flash is allowed.
4. Unspecified edge roundness must be less than R0.2. Unspecified corners must be less than R0.3.
5. No deformation, no bubble, shrinkage, etc allowed.
6. Level of top surface must be less than 0.05.
7. Unspecified draft angle must be 1:10.
8. A marks (key dimension) must be correctly handled.
9. Surface cutting level of top and level must be consistent with other surface cutting level.
10. Part Name, Code Number, Model Name, Material, Note Name must be carved on the inner side of the part.
11. Surface and corner must be handled with HTB designer.
12. Handling surface cutting, automatic sanding, spray, etc must follow Design Specification note.
13. Part name must not be all upside.
14. All other packing specifications must be discussed separately.
15. All other issues must be handled in HTB designer.

Coating Specification

CODE NO.	STANDARD	DESIGNATION
Color	Code	HTB-SP-3
Priming	Color	Metal Primer White
Process	Coating	Coating-Spinner-Sanding-Machining/Tapping-Depress

Symbol	No.	Spec	Depth	Remark
TA	3ea	M4 x 0.7	10mm	

STANDARD TOLERANCE

DIV	mm	mm	mm	mm	mm
1-3	±0.1	±0.1	±0.1	±0.1	±0.1
4-6	±0.05	±0.1	±0.1	±0.1	±0.1
7-10	±0.05	±0.1	±0.1	±0.1	±0.1
11-15	±0.05	±0.1	±0.1	±0.1	±0.1

A2 CHANGE (Rev. 01/2014)

UNIT	DESIGN	CHECK	APPROVAL	PART NAME
MM	JM Jin	YS Choi	JY Kim	MOUNT-TILT
SCALE	21.12.14 21.12.14 21.12.14			MODEL NAME
1/1				SBV-138TMW
Hanwha Techwin				CODE NO. FC39-006839A