

## DS-2TD2628-10/QA/GLT 4G Network Thermal Camera



Hikvision 4G Network Thermal Camera series features high accurate VCA and temperature exception alarm for fire prevention. Supporting multiple standards including GSM, WCDMA and 4G LTE, the camera setups connect easily and wirelessly to the internet over mobile networks. The camera series is embedded with audible alert and strobe light. It can be used in construction sites, farms, mobile tower, etc.

### Key Feature

- 256 × 192 resolution, 12 μm, VOx UFPA, NETD < 40 mK (25°C, F1.0)
- Video content analysis: vehicle/human classification
- Temperature exception alarm for fire prevention, -20°C to 150°C (-4°F to 302°F), ± 8°C (± 14.4°F)
- LTE-TDD/LTE-FDD/WCDMA 4G wireless network transmission, support Micro SIM card
- Water and dust resistant (IP67)
- Embedded audible alert and strobe light
- High quality detector with 10 years guarantee

## ▪ Specification

| Thermal Module           |   |
|--------------------------|---|
| Image Sensor             | Vanadium Oxide Uncooled Focal Plane Arrays  |
| Resolution               | 256 × 192   |
| Pixel Pitch              | 12 μm   |
| Spectral Range           | 8 μm to 14 μm   |
| NETD                     | ≤ 40 mK (@25°C, F# = 1.0)   |
| Focal Length             | 9.7 mm  |
| Focus Mode               | Athermalized  |
| IFOV                     | 1.24 mrad   |
| Aperture                 | F1.0  |
| Field of View            | 18.0° × 13.5° (H × V)   |
| Min. Focusing Distance   | 1.5 m   |
| Digital Zoom             | × 2, × 4  |
| Optical Module           |   |
| Image Sensor             | 1/2.7" Progressive Scan CMOS  |
| Resolution               | 2688 × 1520   |
| Min. Illumination        | 0.0089Lux @(F1.6, AGC ON), 0 Lux with IR  |
| Field of View            | 39.4°(H) × 22.1°(V)   |
| Focal Length             | 8 mm  |
| Aperture                 | F1.6  |
| Shutter Speed            | 1 s to 1/100,000 s  |
| White Balance            | MWB/AWB1/Locked WB/Fluorescent Lamp/Incandescent Lamp/Warm Light Lamp/Natural Light   |
| Day & Night Mode         | IR Cut Filter with Auto Switch  |
| WDR                      | 120 dB  |
| Image Effect             |   |
| Bi-spectrum Image Fusion | Display the details of optical channel on thermal channel   |
| Target Coloration        | Yes. Supported in white hot and black hot mode  |
| Illuminator              |   |
| IR Distance              | Up to 30 m  |
| IR Intensity and Angle   | Automatically adjusted  |
| Audible and Visual Alarm |   |
| White Light Range        | Up to 30 m  |
| Visual Alarm             | Yes. White light alarm with adjustable flashing frequencies   |
| Audio alarm              | Yes, for three types of audible alarm (VCA and Temperature Exception)<br>3 preset voice alerts (one for each)<br>6 importable user-defined voice alerts (6 options shared in the two types) |
| Smart Function           |   |
| VCA                      | 4 VCA rule types (line crossing, intrusion, region entrance, and region exiting), up to 8 VCA rules in total.   |
| Temperature Measurement  | 3 temperature measurement rule types, 21 rules in total (10 points, 10 areas, and 1 line)   |
| Temperature Range        | -20°C to 150°C (-4°F to 302°F)  |
| Temperature Accuracy     | ± 8°C (± 14.4°F)  |

| Video and Audio         |  |
|-------------------------|--|
| Main Stream             | Thermal:<br>25 fps (1280 × 720, 704 × 576, 640 × 512, 320 × 240)<br>Optical:<br>50 Hz: 25 fps (2688 × 1520, 1920 × 1080, 1280 × 720)<br>60Hz: 30 fps (2688 × 1520, 1920 × 1080, 1280 × 720)                        |
| Sub-stream              | Thermal:<br>25 fps (704 × 576, 640 × 512, 320 × 240)<br>Optical:<br>50 Hz: 25 fps (704 × 576, 352 × 288)<br>60 Hz: 30 fps (704 × 480, 352 × 240)   |
| Video Compression       | Main Stream: H.265/H.264<br>Sub-Stream: H.265/H.264/MJPEG  |
| Audio Compression       | G.722.1/G.711ulaw/G.711alaw/MP2L2/G.726/PCM  |
| Network                 |  |
| Protocols               | IPv4/IPv6,HTTP,HTTPS,802.1x,Qos,FTP,SMTP,UPnP,SNMP,DNS,DDNS,NTP,RTSP,RTCP, RTP,TCP,UDP,IGMP,ICMP,DHCP,PPPoE,Bonjour,SFTP,SRTSP   |
| Network Storage         | MicroSD/SDHC/SDXC card (up to 256 GB) local storage, NAS (NFS, SMB/CIFS), Auto Network Replenishment (ANR)   |
| API                     | ISAPI, HIKVISION SDK, and third-party management platform, Open Network Video Interface (Profile S, Profile G)   |
| Simultaneous Live View  | Up to 20 channels  |
| User/Host level         | Up to 32 users, 3 levels: Administrator, Operator, User  |
| Security                | User authentication (ID and Password), MAC address binding, HTTPS encryption, IEEE 802.1x(EAP-MD5, EAP-TLS), access control, IP address filtering  |
| Client                  | iVMS-4200, Hik-Connect   |
| Interface               |  |
| Alarm Input             | 2, alarm input (0 to 5 VDC)  |
| Alarm Output            | 2, alarm output (alarm response actions configurable)  |
| Alarm Action            | Linkage Method Trigger recording: memory card, network storage, pre-record and post-record Trigger captured pictures uploading: FTP, SFTP, HTTP, NAS, Email Trigger notification: HTTP, ISAPI, alarm output, Email |
| Audio Input             | 1, 3.5 mm Mic in/Line in interface<br>Line input: 2 to 2.4 V [p-p], output impedance: 1 KΩ ± 10%   |
| Audio Output            | Linear level, impedance: 600 Ω   |
| Communication Interface | 1, RJ45 10 M/100 M Self-adaptive Ethernet interface.<br>1, RS-485 interface (half duplex)  |
| Mobile Communication    |  |
| SIM Card Type           | Micro SIM  |
| Frequency               | LTE FDD: B 1/3/5/7/8/20/28<br>LTE TDD: B 38/40/41<br>WCDMA: B 1/5/8  |
| Standard                | LTE FDD/LTE TDD/WCDMA  |

| General                      |   |
|------------------------------|---|
| Menu Language                | 32 languages English, Russian, Estonian, Bulgarian, Hungarian, Greek, German, Italian, Czech, Slovak, French, Polish, Dutch, Portuguese, Spanish, Romanian, Danish, Swedish, Norwegian, Finnish, Croatian, Slovenian, Serbian, Turkish, Korean, Traditional Chinese, Thai, Vietnamese, Japanese, Latvian, Lithuanian, Portuguese (Brazil) |
| Power Supply                 | 12 VDC $\pm$ 25%, $\phi$ 5.5 mm coaxial power plug<br>PoE (802.3af, class 3)  |
| Power Consumption            | 12 VDC $\pm$ 25%: 0.83 A, Max. 10 W<br>PoE (802.3af, class 3): 36 V to 57 V, 0.28 A to 0.18 A, Max. 10 W  |
| Working Temperature/Humidity | Temperature: -40°C to 65°C (-40°F to 149°F)<br>Humidity: 95% or less  |
| Protection Level             | IP67 Standard, IK10-rated housing<br>TVS 4000 V lightning protection, surge protection, voltage transient protection  |
| Dimensions                   | 208.9 mm $\times$ 106 mm $\times$ 105.2 mm (8.22" $\times$ 4.17" $\times$ 4.14")  |
| Weight                       | 1332 g (2.94 lb)  |

## DRI Range Table

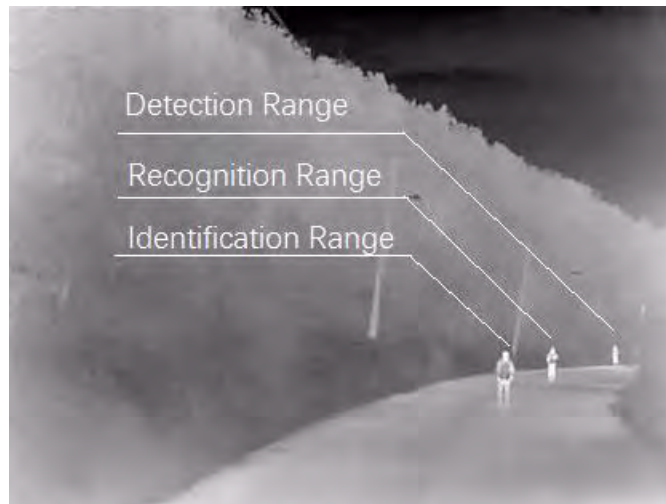
\* The table is only for reference and the performance may vary according to different environment.

\* The optimal detection, recognition, and identification distances are calculated according to Johnson's Criteria.

Detection Range: In order to distinguish an object from the background, the object must be covered by 1.5 or more pixels.

Recognition Range: In order to classify the object (animal, human, vehicle, etc.), the object must be covered by 6 or more pixels.

Identification Range: In order to identify the object and describe it in details, the object must be covered by 12 or more pixels.



| Detection Range<br>(Humans: 1.8 ×<br>0.5 m) | Detection Range<br>(Vehicles: 1.4 ×<br>4.0 m) | Recognition<br>Range (Humans:<br>1.8 × 0.5 m) | Recognition<br>Range (Vehicles:<br>1.4 × 4.0 m) | Identification<br>Range (Humans:<br>1.8 × 0.5 m) | Identification<br>Range (Vehicles:<br>1.4 × 4.0 m) |
|---|---|---|---|--|--|
| 404 m                                       | 1239 m  | 101 m   | 310 m   | 50 m   | 155 m  |

## ▪ Smart Function Table

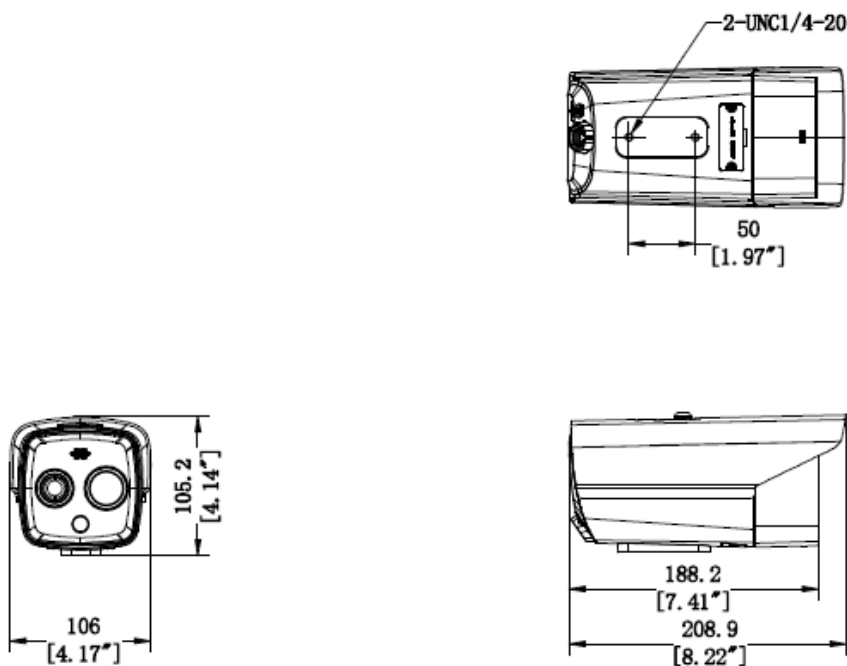
▪ \* The table is only for reference and the performance may vary according to different environment.

| VCA Range (Humans: 1.8 ×<br>0.5 m) | VCA Range (Vehicles: 1.4 ×<br>4.0 m) | Temperature Measurement<br>(Object: 1 × 1 m) | Temperature Measurement<br>(Object: 0.2 × 0.2 m) |
|------------------------------------|--------------------------------------|--|--|
| 77.6 m                             | 203.7 m                              | 161.7 m                                      | 32.3 m   |

## ▪ Available Model

DS-2TD2628-10/QA/GLT

▪ **Dimension**



Unit:mm[Inch]

▪ **Accessory**

▪ **Optional**



DS-1293ZJ-T

COMPLIANCE NOTICE: The thermal series products might be subject to export controls in various countries or regions, including without limitation, the United States, European Union, United Kingdom and/or other member countries of the Wassenaar Arrangement. Please consult your professional legal or compliance expert or local government authorities for any necessary export license requirements if you intend to transfer, export, re-export the thermal series products between different countries.

**Headquarters**

No.555 Qianmo Road, Binjiang District,  
Hangzhou 310051, China  
T +86-571-8807-5998  
www.hikvision.com



Follow us on social media to get the latest product and solution information.

