

# KSC-3000U Controller

## FIXED/VARIABLE SPEED, PTZ CONTROL, DIRECT MODE ONLY

### Product Features

- All-In-One mouse, keyboard, joystick
- Two RS-485 ports
- Shortcut keys
- Provides a variety of add-ons
- More than 16 built-in protocols
- Built-in Jog shuttle, joystick for user convenience



The **KSC-3000U Series** is a USB keyboard controller for use with Pelco's analog cameras (Pelco D and P Protocol) including the Spectra Mini (SD5 Series), Spectra IV, and Esprit SE.

The **KSC-3000U Series** is capable of half and full duplex mode with two RS-485 ports.

The **KSC-3000U Series** can be used as a mouse, keyboard, or joystick for a PC or network video recorder without external driver installation. Alphanumeric characters' input is supported through the numeric keypad in Keyboard Mode. Mouse scroll and sensitivity setting is supported in Mouse Mode.

All hotkeys for the PC applications can be supported with the controller's shortcut keys in Hotkey Mode. Create and modify shortcut keys using the system controller.

All buttons on the **KSC-3000U Series** can be used as the joystick buttons and are programmable except for ESC (when exiting from HID mode) and USB HID (when changing from three different HID modes).

The **KSC-3000U Series** features a built-in 3-Axis proportional joystick, LCD, rubber buttons, and Jog Shuttle for ease of operation.



# TECHNICAL SPECIFICATIONS

## MODEL

KSC-3000U Fixed/variable speed, PTZ control, Direct Mode only

## MECHANICAL

Communication Port Port 1, Terminal Block, Half Duplex/Full Duplex  
Port 2, Terminal Block, Half Duplex/Full Duplex

USB Port B Type Support, USB 1.1 ~ USB 3.0

USB Device HID Mouse / HID Keyboard / HID Joystick / Support Hot - Key

LCD View 2 x 16 Character Yellow Backlight LCD

LED Indicator Power / TX /RX

Numeric Key 0 ~ 9 / Clear / Enter

Keyboard Address 0 ~ 9 (Standalone, Master, Sub)

PTZ Number 0 ~ 255

## OPERATION

Protocol Pelco D, Pelco P, Samsung 5, Samsung T, Vicon, Panasonic, Bosch, GE, Honeywell, Elmo, AD, ERNA, VCL TP, Youjin, W-DRX, Sungjin

Function Key ESC, Set, PTZ, Cam, Preset, Scan, Pattern, Tour, Auto, HID, Aux On, Aux Off

Joystick Up, Down, Left, Right, Tele, Wide

## ELECTRICAL

Power DC 12 V  $\pm$ 10% (200mA) /DC Jack/USB 5V (500mA)

Power Consumption < 3 W

## GENERAL

Finish Black

I/O Connector Terminal block 8P / Firmware Upgrade Connector

Operating Temperature 0°C ~ 40°C

Operating Humidity 0 ~ 90%

Dimensions 31.84 (W) x 18.33 (H) x 9.35 (D) cm

Baud Rate 2400, 4800, 9600, 19200, 38400, 57600 BPS


## ACCESSORIES

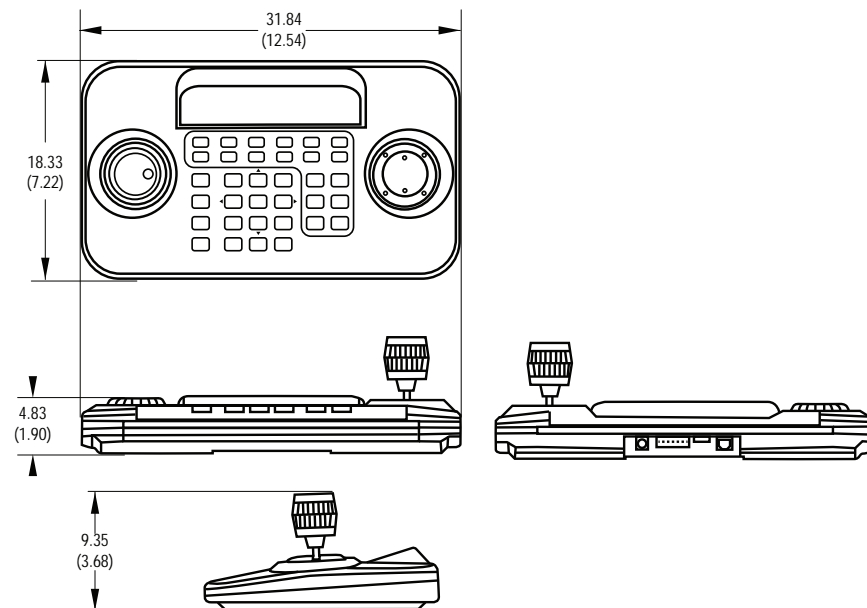
Optional 12 VDC Power adapter: KSC-PSKIT (sold separately)

**NOTE:** KSC-3000U is not intended for use with any Analog Matrix System.

## CERTIFICATIONS

CE, Class A  
FCC, Class A

 **NOTE: VALUES IN PARENTHESES ARE INCHES; ALL OTHERS ARE CENTIMETERS. DRAWINGS AND DIMENSIONS NOT TO SCALE.**



**⚠ WARNING:** Cancer and Reproductive Harm - [www.P65Warnings.ca.gov](http://www.P65Warnings.ca.gov)  
**⚠ ADVERTENCIA:** Cáncer y Daño Reproductivo - [www.P65Warnings.ca.gov](http://www.P65Warnings.ca.gov)  
**⚠ AVERTISSEMENT:** Cancer et Troubles de l'appareil reproducteur - [www.P65Warnings.ca.gov](http://www.P65Warnings.ca.gov)

## Pelco

625 W. Alluvial, Fresno, California 93711 United States  
**USA & Canada** Tel (800) 289-9100 Fax (800) 289-9150  
**International** Tel +1 (559) 292-1981 Fax +1 (559) 348-1120  
[www.pelco.com](http://www.pelco.com) [www.pelco.com/community](http://www.pelco.com/community)

Pelco, the Pelco logo, and other trademarks associated with Pelco products referred to in this publication are trademarks of Pelco, Inc. or its affiliates. ONVIF and the ONVIF logo are trademarks of ONVIF Inc. All other product names and services are the property of their respective companies. Product specifications and availability are subject to change without notice. ©Copyright 2019, Pelco, Inc. All rights reserved.