

DS-7104HGHI-F1+4CAM 1MP TURBO HD KIT

Key Feature

- H.264+/H.264 video compression
- Full channel recording at up to 1080p lite resolution
- Full channel synchronous real-time playback
- Hik-Connect app for easy network management



Camera

- 1 MP high-performance CMOS
- smart IR, up to 20 m IR distance
- 1 Analog HD video output
- IP66

DVR

- Connectable to HDTV/AVD/CVI/CVBS/IP video signal
- Up to 5-ch IP camera input (up to 1080p)
- H.264+/H.264 encoding improves encoding efficiency and reduces data storage costs
- Simultaneous HDMI/VGA output at up to 1920 × 1080 resolution
- One SATA interface (up to 6 TB capacity per HDD)

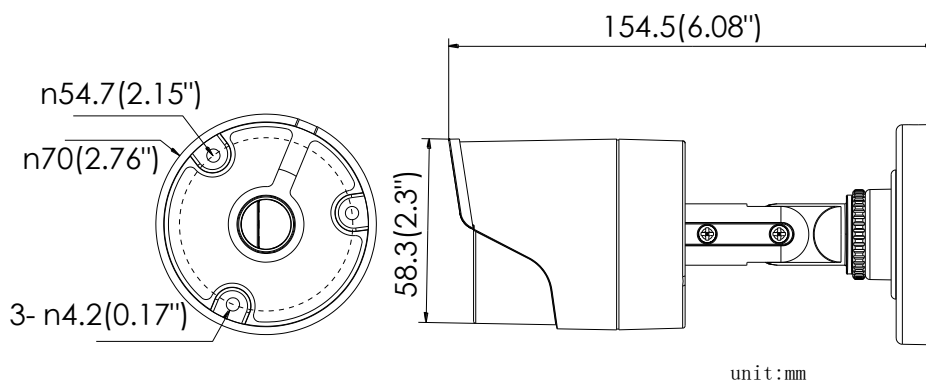


Specification

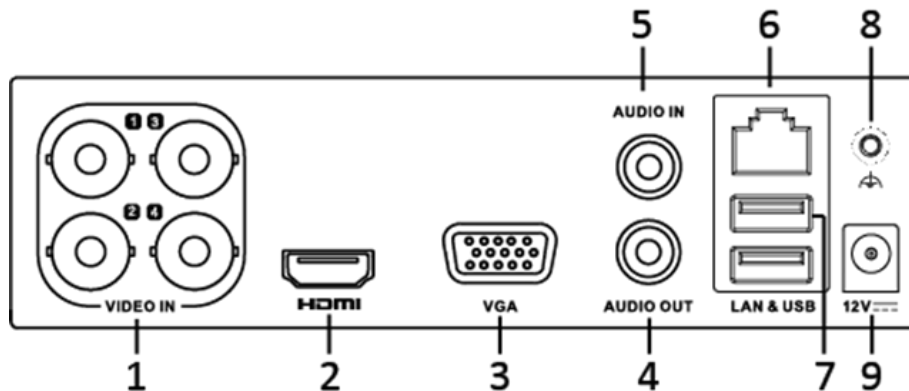
Kit model		DS-7104HGHI-F1+4CAM
DVR		DS-7104HGHI-F1
Video/ Audio input	IP video input	1-ch (up to 5-ch)
		Up to 1080p resolution
		H.264+/H.264
	Analog video input	4-ch
		BNC interface (1.0 Vp-p, 75 Ω), supporting coaxitron connection
	Video input	HDTV/AVD/CVI/CVBS/IP
	Audio compression	G.711u
	Audio input/Two-way audio input	1-ch, RCA (2.0 Vp-p, 1 KΩ)
Encoding resolution	When 1080p Lite mode not enabled: 720p/WD1/4CIF/VGA/CIF When 1080p Lite mode enabled: 1080p lite/720p/WD1/4CIF/VGA/CIF	
Frame rate	Main stream: When 1080p Lite mode not enabled: For 720p stream access: 720p/WD1/4CIF/VGA/CIF@25fps(P)/30fps(N) When 1080p Lite mode enabled: 1080p lite/720p/WD1/4CIF/VGA/CIF@25fps(P)/30fps(N)	
	Sub-stream: 2CIF@6fps; CIF/QVGA/QCIF@25fps(P)/30fps(N)	
Hard disk	SATA	1 SATA interface
	Capacity	Up to 6 TB capacity for each disk
External interface	HDMI/VGA output	1-ch, 1920 × 1080/60Hz, 1280 × 1024/60Hz, 1280 × 720/60Hz, 1024 × 768/60Hz HDMI and VGA simultaneous output
	Network interface	1, RJ45 10/100 Mbps self-adaptive Ethernet interface
	USB interface	Rear panel: 2 × USB 2.0
General	Operating condition	- 10 °C to 55 °C (14 °F to 131 °F), Humidity: 10% to 90%
	Dimension (W × D × H)	200 × 200 × 45 mm (7.9 × 7.9 × 1.8 inch)
	Weight	≤ 0.8 kg (1.8 lb)
Camera		DS-2CE16C0T-IRP
Image Sensor		1MP CMOS Image Sensor
		70.9°, 3.6 mm
IR range		Up to 20 m
Power consumption		Max. 4 W

Protection level		IP66
Operating condition		-40 °C to 60 °C (-40 °F to 140 °F), Humidity: 90% or less (non-condensation)
Dimension (W × D × H)		Φ70 × 149.5 mm (Φ2.76 × 5.89 inch)
Weight		300 g (0.66 lb)
Kit	DS-7104HGHI-F1+4CAM	
DVR	1 × DS-7104HGHI-F1	
Camera	4 × DS-2CE16C0T-IRP	
Accessory	Power	1 × power cable, 1 × power adaptor, 1 × power transfer cable
	Cable	4 × 18 m (59 ft) power cable
Weight		≤ 5.2 kg (11.4 lb)

Camera Dimension



DVR Physical Interface



No.	Description	No.	Description
1	VIDEO IN	6	LAN Network Interface
2	HDMI Interface	7	USB Interfaces
3	VGA Interface	8	GND
4	AUDIO OUT, RCA Connector	9	12 VDC Power Input
5	AUDIO IN, RCA Connector		

Available Model

DS-7104HGHI-F1+4CAM

Distributed by



Headquarters

No.555 Qianmo Road, Binjiang District,
Hangzhou 310051, China
T +86-571-8807-5998
overseasbusiness@hikvision.com

Hikvision USA
T +1-909-895-0400
sales.usa@hikvision.com

Hikvision Italy
T +39-0438-6902
info.it@hikvision.com

Hikvision Singapore
T +65-6684-4718
sg@hikvision.com

Hikvision Africa
T +27 (10) 0351172
sale.africa@hikvision.com

Hikvision Europe
T +31-23-55-42-770
info.eu@hikvision.com

Hikvision France
T +33(0)1-85-330-450
info.fr@hikvision.com

Hikvision Oceania
T +61-2-8599-4233
salesau@hikvision.com

Hikvision Hong Kong
T +852-2151-1761

Hikvision Middle East
T +971-4-8816086
salesme@hikvision.com

Hikvision Spain
T +34-91-737-16-55
info.es@hikvision.com

Hikvision Canada
T +1-909-895-0400
sales.usa@hikvision.com

Hikvision Russia
T +7-495-669-67-99
saleru@hikvision.com

Hikvision Poland
T +48-22-460-01-50
poland@hikvision.com

Hikvision Korea
T +82-31-731-8841
sales.korea@hikvision.com

Hikvision India
T +91-22-28469900
sales@pramahikvision.com

Hikvision UK
T +01628-902140
support.uk@hikvision.com

Hikvision Brazil
T +55 11 3318-0050
Latam.support@hikvision.com

0100001091030