

# NET6500 IP ENCODER 2 SERIES

3-YEAR WARRANTY

Convert existing analog CCTV video to digital streams that any VMS can retrieve with the NET6500 IP Encoder 2 Series. The IP encoder enables sites to view and record footage through the VMS software from analog cameras. With the NET6500, users will gain the benefits of a network video solution without having to replace current analog equipment and cabling. Government facilities, casinos, and commercial businesses can leverage this cost-effective approach by converting existing analog cameras to digital IP feeds. This provides an opportunity to keep existing video security equipment integrated into the latest IP camera system while allowing security teams to reduce time and costs in the transition.



## FEATURES



### EASY INSTALLATION

Provides enhanced flexibility and installation cost savings that allow clients to transition to IP in stages, starting with IP encoders connected to the existing analog cameras and migrating to IP cameras over time.



### COMPATIBLE WITH PELCO CAMERAS, INCLUDING COAXITRON AND PELCO D

Offers pan/tilt/zoom control of a camera over a coaxial cable.



### CUSTOMIZABLE DEPLOYMENT

Select between 4 or 16 channel model options for a customizable rack mount suitable for any application need.



### ONVIF S COMPLIANT

The IP encoder enables sites to view and record footage through VMS software with advanced functionality from existing analog cameras.

ONVIF is a trademark of Onvif, Inc.



### H.264 AND H.265 HIGH, MAIN, AND BASE COMPRESSION

Optimizes compression levels for regions in a scene to help maximize bandwidth savings and keep storage costs down.

# SPECIFICATIONS

MODEL NAME		NET6504	NET6516
Video	Input Signal	AHD (8M, 5M, 4M, 3M, 2M, 720p) TVI (8M, 5M, 4M, 3M, 2M, 720p) SD (NTSC, PAL)	AHD (8M, 5M, 4M, 3M, 2M, 720p) TVI (8M, 5M, 4M, 3M, 2M, 720p) SD (NTSC, PAL)
Audio	Input Signal	4CH (10 KOhm, 1 Vrms)	4CH (10 KOhm, 1 Vrms)
	Output Signal	1CH (600 Ohm, 2.8 Vpp)	1CH (600 Ohm, 2.8 Vpp)
	CODEC	G.711 u-law	G.711 u-law
Encoding	CODEC	H.264 / H.265	H.264 / H.265
	Encoding Rate	Up to 32FPS @ 3840 x 2160 (8M) Up to 40FPS @ 2592 x 1944 (5M) Up to 60FPS @ 2688 x 1520 (4M) Up to 60FPS @ 2560 x 1440 (QHD) Up to 72FPS @ 2048 x 1536 (3M)	Up to 128FPS @ 1920 x 2160 (8M Half) Up to 64FPS @ 2560 x 2160 (8M) Up to 160FPS @ 1296 x 1944 (5M Half) Up to 96FPS @ 2560 x 1944 (5M) Up to 240FPS @ 1344 x 1520 (4M Half) Up to 120FPS @ 2560 x 1520 (4M) Up to 240FPS @ 1280 x 1440 (QHD Half) Up to 120FPS @ 2560 x 1440 (QHD) Up to 240FPS @ 1024 x 1536 (3M Half) Up to 144FPS @ 2048 x 1536 (3M) Up to 240FPS @ FHD
	Encoding Resolution	CIF, 2CIF, D1, 960H, 720P, 1080P, 3M, 4M, 5M, 8M	CIF, 2CIF, D1, 960H, 720P, 1080P, 3M, 4M, 5M, 8M
Alarm I/O	Alarm Input	4CH, Pulled up to 5V via 10 KOhm	16CH, Pulled up to 5V via 10 KOhm
	Alarm Out	1CH, RELAY(120 VAC, 24 VDC)	1CH, RELAY(120 VAC, 24 VDC)

INTERFACES	NET6504	NET6516
USB	1	1
RS-485	1	1
RS-232	--	--
LAN	1 (10/100 Mbps)	1 (10/100/1,000 Mbps)
Watchdog	Yes	Yes
Cooling Fan	--	1EA
Real Time Clock	Yes	Yes
Buzzer	Yes	Yes

MODEL NAME		NET6504	NET6516
Power	Power Supply	12V / 3A adaptor	12V / 3A adaptor
	Power Consumption	6W (12V)	15W (12V)
Environment	Temperature	0°C ~ 40°C (32°F ~ 104°F)	0°C ~ 40°C (32°F ~ 104°F)
	Humidity	10 ~ 90% NC	10 ~ 90% NC
Chassis	Dimension	1U 260(W) x 262.6(D) x 44(H)	1U 380(W) x 314.6(D) x 44(H)
	Weight	1.5 kg (3.30 lb)	2.6 kg (5.73 lb)
Certifications		UL, cUL, FCC, CE, UKCA, KC	UL, cUL, FCC, CE, UKCA, KC

ENCODING	
Video Compression	H.264 / H.265
Audio Compression	G.711 u-law
Encoding Resolution	CIF, 2CIF, D1, 960H, 720P, 1080P, 3M, 4M, 5M, 8M

## ENCODING

Encoding Rate	Up to 30FPS, varies with stream configuration
---------------	---

## NETWORK

Maximum Connections	Connections: 32 users (Maximum connection number is fixed)
Dual Streaming	Yes
ONVIF	ONVIF Profile S
Protocols	RTP, RTSP, RTCP, SMTP, NTP, HTTP, FTP, DDNS, DHCP, Upnp (Router Port Forwarding)

## EVENT & ACTIONS

Event Notification	Yes
Alarm Sensor Event	Yes
Video Loss Event	Yes
Motion Detection Event	Yes

## SYSTEM

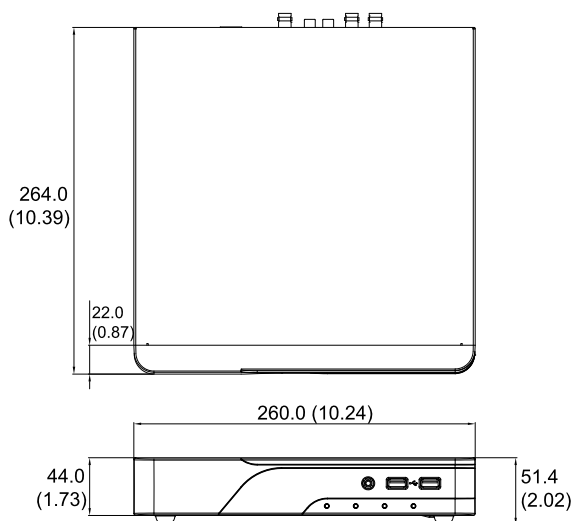
Operating System	LINUX®
PTZ Protocols	Pelco D & P, Coaxitron
Network Time Sync	Yes
Auto Time Sync	Yes
Daylight Savings Time	Yes
F/W Upgrade	Yes
Setup Import/Export	Yes
Browser Support	Internet Explorer 11, Edge, Chrome <sup>1</sup> , Safari, Firefox
Language	Multi-language

<sup>1</sup> Although Chrome is a preferred browser, it has a slower live view speed that is not optimized for PTZ movement.

# OUTLINE DIMENSIONS

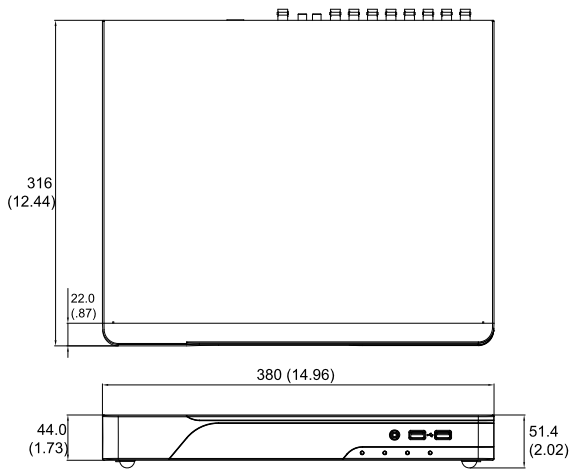
## NET6504

[X.X]	INCHES
X	MM



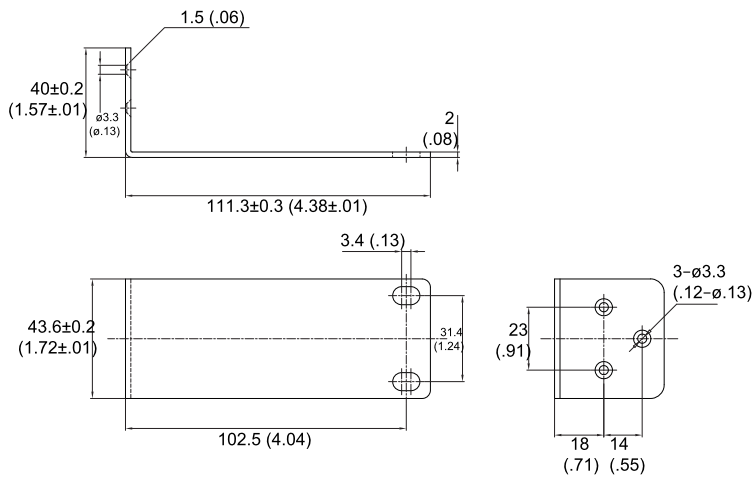
# NET6516

[X.X]	INCHES
X	MM



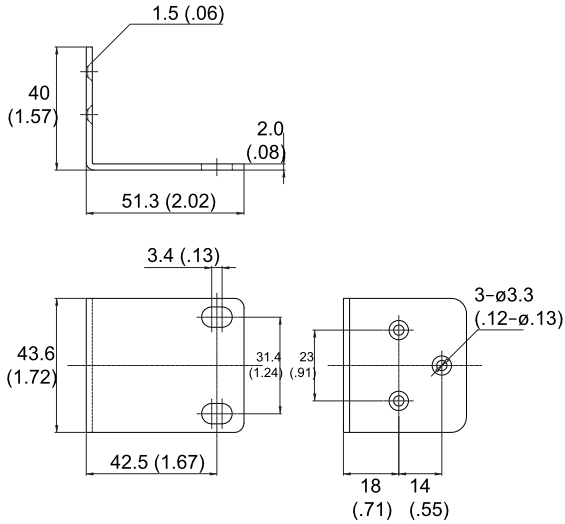
# 4-CHANNEL RACK MOUNT

[X.X]	INCHES
X	MM



## 16-CHANNEL RACK MOUNT

[X.X]	INCHES
X	MM



## ORDERING INFORMATION

### SYSTEM MODELS

MODEL NUMBER	DESCRIPTION
NET6504-AU	Rack Mount Encoder 4-CH, AU Power Cord
NET6516-AU	Rack Mount Encoder 16-CH, AU Power Cord
NET6504-EU	Rack Mount Encoder 4-CH, EU Power Cord
NET6516-EU	Rack Mount Encoder 16-CH, EU Power Cord
NET6504-UK	Rack Mount Encoder 4-CH, UK Power Cord
NET6516-UK	Rack Mount Encoder 16-CH, UK Power Cord
NET6504-US	Rack Mount Encoder 4-CH, US Power Cord
NET6516-US	Rack Mount Encoder 16-CH, US Power Cord

## SUPPORT

Learn more and find additional documentation at [pelco.com](https://pelco.com) or email [support@pelco.com](mailto:support@pelco.com) for specific product support.



Aug 2022 | | Rev 1

© 2021 - 2022, Motorola Solutions, Inc. All rights reserved. MOTOROLA, MOTO, MOTOROLA SOLUTIONS, and the Stylized M Logo are trademarks or registered trademarks of Motorola Trademark Holdings, LLC and are used under license. Pelco, the Pelco logo, and other trademarks associated with Pelco products referred to in this publication are trademarks of Pelco, Inc. or its affiliates. All other product names and services are the property of their respective companies. Product specifications and availability are subject to change without notice.