

DS-2DE2C400SCG-E 4 MP ColorVu Network Speed Dome

ColorVu



- High quality imaging with 4 MP resolution
- Clear imaging against strong back light due to DWDR technology
- 3D DNR technology delivers clean and sharp images
- Hik-Connect cloud service and APP for remote management and views of devices
- Built-in microphone and speaker for real-time audio security
- Built-in memory card slot, support microSD/SDHC/SDXC card, up to 256 GB
- Water and dust resistant IP66

▪ Specification

Camera	
Image Sensor	1/1.8" Progressive Scan CMOS
Max. Resolution	2560 × 1440
Min. Illumination	Color: 0.001 Lux @(F1.0, AGC ON), 0 Lux with Light
Lens	
Focal Length	2.8 mm/4 mm
FOV	2.8 mm, horizontal FOV 105.7°, vertical FOV 57.3°, diagonal FOV 124.9° 4 mm, horizontal FOV 88.7°, vertical FOV 44.7°, diagonal FOV 107.5°
Aperture	F1.0
Illuminator	
Supplement Light Type	White Light
Supplement Light Range	White Light Distance: up to 30 m
Smart Supplement Light	Yes
PTZ	
Movement Range (Pan)	0° to 340°
Movement Range (Tilt)	-5° to 105°
Pan Speed	Pan speed: configurable from 4° to 21°/s
Tilt Speed	Tilt speed: configurable from 4° to 19°/s
Video	
Video Compression	H.265, H.264, MJPEG
H.264 Type	Baseline Profile, Main Profile, High Profile
H.265 Type	Main Profile
Main Stream	50 Hz: 25 fps (2560 × 1440, 1920 × 1080, 1280 × 720) 60 Hz: 30 fps (2560 × 1440, 1920 × 1080, 1280 × 720)
Sub-Stream	50 Hz: 25 fps (1280 × 720, 640 × 480, 640 × 360) 60 Hz: 30 fps (1280 × 720, 640 × 480, 640 × 360)
Video Bit Rate	32 Kbps to 8 Mbps
Audio	
Audio Compression	G.711alaw/G.711ulaw/G.722.1/G.726/MP2L2/AAC-LC/PCM
Audio Bit Rate	64 Kbps (G.711ulaw/G.711alaw)/16 Kbps (G.722.1)/16 Kbps (G.726)/32 to 160 Kbps (MP2L2)/16 to 64 Kbps (AAC-LC)
Audio Sampling Rate	8 kHz/16 kHz
Environment Noise Filtering	Yes
Network	
Protocols	IPv4/IPv6, HTTP, HTTPS, Qos, DNS, DDNS, NTP, RTSP, RTP, TCP/IP, UDP, DHCP, Bonjour
API	Open Network Video Interface, ISAPI, SDK
Image	
Image Settings	Saturation, brightness, contrast, sharpness
Wide Dynamic Range (WDR)	Digital WDR
Image Enhancement	BLC, HLC, 3D DNR
Interface	
Ethernet Interface	1 RJ45 10 M/100 M self-adaptive Ethernet port
On-board Storage	Built-in memory card slot, support microSD/SDHC/SDXC card, up to 256 GB
Built-in Microphone	Yes

Built-in Speaker	Yes
Reset	Yes
Event	
Basic Event	Motion detection, video tampering alarm, exception
Alarm Linkage	Upload to FTP, notify surveillance center, send email, upload to memory card
General	
Operating Condition	With supplement light on: -30 °C to 40 °C. Humidity 95% or less (non-condensing) With supplement light off: -30 °C to 50 °C. Humidity 95% or less (non-condensing)
General Function	Mirror, password protection, watermark
Power	12 VDC ± 25%, 0.75 A, max. 9 W, Ø5.5 mm coaxial power plug, reverse polarity protection PoE: 802.3af, 36 V to 57 V, 0.2 A to 0.3 A, max. 10 W
Dimensions	Camera dimension: 162 mm × 120 mm × 234.2 mm (6.4" × 4.7" × 9.2") Package dimension: 205 mm × 167 mm × 289 mm (8.1" × 6.6" × 11.4")
Weight	Camera weight: 780 g (1.7 lb.) With package weight: 1280 g (2.8 lb.)
Approval	
EMC	FCC: 47 CFR Part 15, Subpart B; CE-EMC: EN 55032: 2015, EN 61000-3-2:2019, EN 61000-3-3: 2013+A1:2019, EN 50130-4: 2011 +A1: 2014; IC: ICES-003: Issue 7
Protection	IP66: IEC 60529-2013

▪ Available Model

DS-2DE2C400SCG-E(F0)

DS-2DE2C400SCG-E(F1)

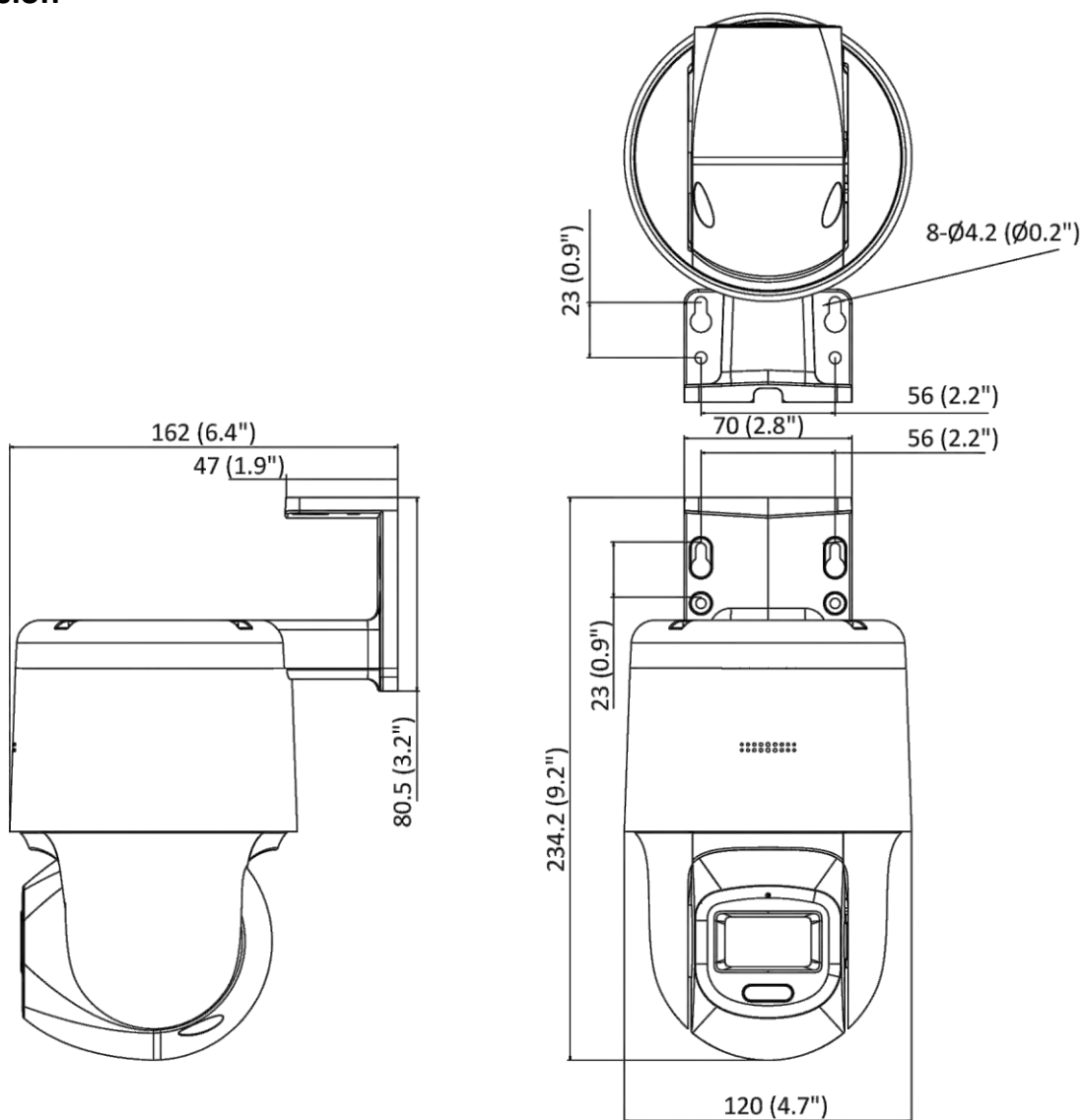
▪ Typical Application

Hikvision products are classified into three levels according to their anti-corrosion performance. Refer to the following description to choose for your using environment.

This model has NO SPECIFIC PROTECTION.

Level	Description
Top-level protection	Hikvision products at this level are equipped for use in areas where professional anti-corrosion protection is a must. Typical application scenarios include coastlines, docks, chemical plants, and more.
Moderate protection	Hikvision products at this level are equipped for use in areas with moderate anti-corrosion demands. Typical application scenarios include coastal areas about 2 kilometers (1.24 miles) away from coastlines, as well as areas affected by acid rain.
No specific protection	Hikvision products at this level are equipped for use in areas where no specific anti-corrosion protection is needed.

▪ Dimension



Unit: mm (inch)

Headquarters

No.555 Qianmo Road, Binjiang District,
Hangzhou 310051, China
T +86-571-8807-5998
www.hikvision.com



Follow us on social media to get the latest product and solution information.



Hikvision



HikvisionHQ



HikvisionHQ



Hikvision_Global



Hikvision
Corporate Channel



hikvisionhq