

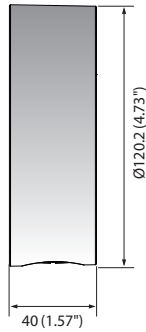
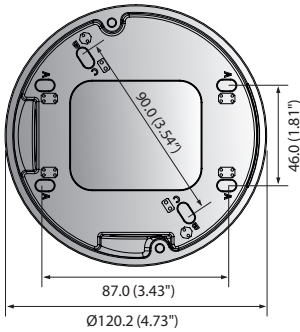
# SBV-120GW

Back Box



## Dimensions

Unit : mm (inch)



| SBV-120GW                   |   |
|-----------------------------|---|
| Color / Material            | White / Aluminum                                |
| Operating Temperature       | -50°C~60°C                                      |
| Operating Humidity          | 0~100%  |
| Product dimensions / weight | Ø120.2 x 40 mm (Ø4.73 x 1.57\"), 280g (0.62 lb) |

\* You can find applicable models with accessory selector [www.hanwha-security.com/en/products/accessory-selector/](http://www.hanwha-security.com/en/products/accessory-selector/)  
 \* The latest product information / specification can be found at [hanwha-security.com](http://hanwha-security.com)  
 \* Design and specifications are subject to change without notice.  
 \* Wisenet is the proprietary brand of Hanwha Techwin.