

DS-2XE6242F-IS/316L(D)

4 MP Explosion-Proof Network Bullet Camera



- Explosion-proof design: the camera has passed international ATEX & IECEx certifications, and can be used in gas and dust hazardous scenarios
- 316L stainless steel enclosure and anti-corrosion spray treatment, protecting the camera from damage caused by sparks or corrosive materials
- IP68/IK08 water resistant and vandal proof, preventing water ingress for outdoor use
- H.265+/H.265/H.264+/H.264 encoding: efficient compression technology saves storage space and reduces bandwidth requirements
- 100 VAC to 240 VAC wide range power supply: easy to deploy cables and safer compared to a power adapter solution



▪ Specification

Camera	
Image Sensor	1/3" Progressive Scan CMOS
Max. Resolution	2560 × 1440
Min. Illumination	Color: 0.01 lux @ (F1.2, AGC ON), B/W: 0.001 lux @ (F1.2, AGC ON), 0 Lux with IR
Shutter Time	1 s to 1/100,000 s
Day & Night	IR cut filter
Lens	
Lens Type	Fixed focal lens, 4, 6, 8, and 12 mm optional
Focal Length & FOV	4 mm, horizontal FOV 84°, vertical FOV 45°, diagonal FOV 99° 6 mm, horizontal FOV 52°, vertical FOV 28°, diagonal FOV 60° 8 mm, horizontal FOV 39°, vertical FOV 22°, diagonal FOV 46° 12 mm, horizontal FOV 25°, vertical FOV 14°, diagonal FOV 28°
Lens Mount	M12
Aperture	F1.6
DORI	
DORI	4 mm: D: 80 m, O: 31.7 m, R: 16 m, I: 8 m 6 mm: D: 128 m, O: 50.8 m, R: 25.6 m, I: 12.8 m 8 mm: D: 160 m, O: 63.5 m, R: 32 m, I: 16 m 12 mm: D: 248 m, O: 98.4 m, R: 49.6 m, I: 24.8 m
Illuminator	
Supplement Light Type	IR
Supplement Light Range	Up to 30 m
IR Wavelength	Up to 850 nm
Video	
Main Stream	50 Hz: 25 fps (2560 × 1440, 1920 × 1080, 1280 × 960, 1280 × 720) 60 Hz: 24 fps (2560 × 1440, 1920 × 1080, 1280 × 960, 1280 × 720)
Sub-Stream	50 Hz: 25 fps (704 × 576, 640 × 480, 352 × 288, 320 × 240) 60 Hz: 30 fps (704 × 480, 640 × 480, 352 × 240, 320 × 240)
Third Stream	50 Hz: 1 fps (1920 × 1080, 1280 × 960, 1280 × 720, 704 × 576, 640 × 480, 352 × 288, 320 × 240) 60 Hz: 1 fps (1920 × 1080, 1280 × 960, 1280 × 720, 704 × 480, 640 × 480, 352 × 240, 320 × 240)
Video Compression	Main stream: H.265/H.264/H.265+/H.264+ Sub stream: H.265/H.264/MJPEG Third stream: H.265/H.264/MJPEG
Video Bit Rate	32 Kbps to 16 Mbps
H.264 Type	Baseline profile/main profile/high profile
H.265 Type	Main profile
Region of Interest (ROI)	5 customized regions for each stream, and face dynamic tracking

Target Cropping	Yes
Audio	
Audio Type	Mono sound
Audio Compression	G.711/G.722.1/G.726/MP2L2/PCM/AAC/MP3
Audio Bit Rate	64 Kbps (G.711)/16 Kbps (G.722.1)/16 Kbps (G.726)/32 to 192 Kbps (MP2L2)/8 to 320 Kbps (MP3)
Audio Sampling Rate	8 kHz/16 kHz/32 kHz/44.1 kHz/48 kHz
Environment Noise Filtering	Yes
Network	
Protocols	TCP/IP, ICMP, HTTP, HTTPS, FTP, DHCP, DNS, DDNS, RTP, RTSP, RTCP
Simultaneous Live View	Up to 6 channels
API	Open Network Video Interface (Profile S, Profile G), PSIA, CGI, ISAPI
User/Host	Up to 32 users, 3 levels: administrator, operator and user
Network Storage	NAS (NFS, SMB/CIFS), auto network replenishment (ANR)
Client	iVMS-4200, Hik-Connect, Hik-Central
Web Browser	Plug-in required live view: IE 8+, Chrome 41.0 to 44, Firefox 30.0 to 51, Safari 8.0 to 11 Plug-in free live view: Chrome 45.0+, Firefox 52.0+ Local service: Chrome 57.0+, Firefox 52.0+ Not recommended: Safari 11+, Edge
Image	
Image Settings	Rotate mode, saturation, brightness, contrast adjustable by client software or web browser
Day/Night Switch	Auto/Schedule/Alarm Trigger
Wide Dynamic Range (WDR)	120 dB
Image Enhancement	BLC/3D DNR
Privacy Mask	8 programmable polygon privacy mask
Picture Overlay	LOGO picture can be overlaid on video with 128 × 128 24bit bmp format
Interface	
Ethernet Interface	1 RJ45 10 M/100 M self-adaptive Ethernet port
Audio	1 line in, 1 line out
On-Board Storage	Built-in memory card slot, support microSD/SDHC/SDXC card, up to 256 GB <i>*You are recommended to purchase memory card together with the product if needed. After ordering, the memory card will be installed to product during manufacturing.</i>
Alarm	1 alarm input, 1 alarm output
Event	
Basic Event	Motion detection, video tampering alarm, exception (network disconnected, IP address conflict, illegal login, HDD full, HDD error)
Smart Event	Line crossing detection, intrusion detection, region entrance detection, region exiting detection, unattended baggage detection, object removal detection Face detection, scene change detection, defocus detection
General	
Power	100 VAC to 240 VAC, 0.15 A, 50/60 Hz, max. 7 W, terminal block PoE: 802.3af, Class 3, 36 to 57 V, 0.3 to 0.2 A
Dimension	202 mm × 174 mm × 172 mm (8.0" × 6.9" × 6.8")
Package Dimension	435 mm × 255 mm × 285 mm (17.1" × 10" × 11.2")

Weight	Approx. 6.18 kg (13.62 lb.)
With Package Weight	Approx. 7.21 kg (15.90 lb.)
Storage Conditions	-30 °C to +60 °C (-40 °F to +140 °F). Humidity 95% or less (non-condensing)
Startup and Operating Conditions	-30°C to +60 °C (-22 °F to +140 °F). Humidity 95% or less (non-condensing)
Language	33 languages: English, Russian, Estonian, Bulgarian, Hungarian, Greek, German, Italian, Czech, Slovak, French, Polish, Dutch, Portuguese, Spanish, Romanian, Danish, Swedish, Norwegian, Finnish, Croatian, Slovenian, Serbian, Turkish, Korean, Traditional Chinese, Thai, Vietnamese, Japanese, Latvian, Lithuanian, Portuguese (Brazil), Ukrainian
General Function	Mirror, anti-flicker, heartbeat, watermark, password protection, privacy mask
Approval	
EMC	FCC: FCC-SDoC (ANSI C63.4, FCC Part15 sub B) CE: CE-EMC (EN 50130-4: 2011+A1: 2014, EN 55032: 2015, EN 61000-3-2: 2014, EN 61000-3-3: 2013) IC: IC-VoC (ICES-003 Issue 7: 2020) KC: KN 301489-1, KN 301489-17, RRA NOTICE 2017-14 (2017.12.05), RRA NOTICE 2017-19 (2017.12.28)
Safety	UL (UL 60950-1: 2014, CAN/CSA C22.2 No. 60950-1-07: 2014) CB (IEC 60950-1) CE: CE-LVD (EN 60950-1: 2006+A11: 2009+A1: 2010+A12: 2011+A2: 2013)
Protection	IK08 (IEC 62262:2002), IP68 (IEC 60529-2013)
Explosion-Proof Protection	ATEX: II 2G Ex db IIC T6 Gb/ II 2D Ex tb IIIC T80°C Db IP68 IECEx: Ex db IIC T6 Gb /Ex tb IIIC T80°C Db IP68 For explosive gas atmospheres, the maximum surface temperature is 85°C; For flammable dust atmospheres, the maximum surface temperature is 80°C; IIC: for explosive gas atmospheres other than mines susceptible to firedamp; For explosive gas mixture atmospheres: Zone 1, Zone 2, Zone 21, Zone 22.

▪ Available Model

DS-2XE6242F-IS/316L (4/6/8/12 mm)

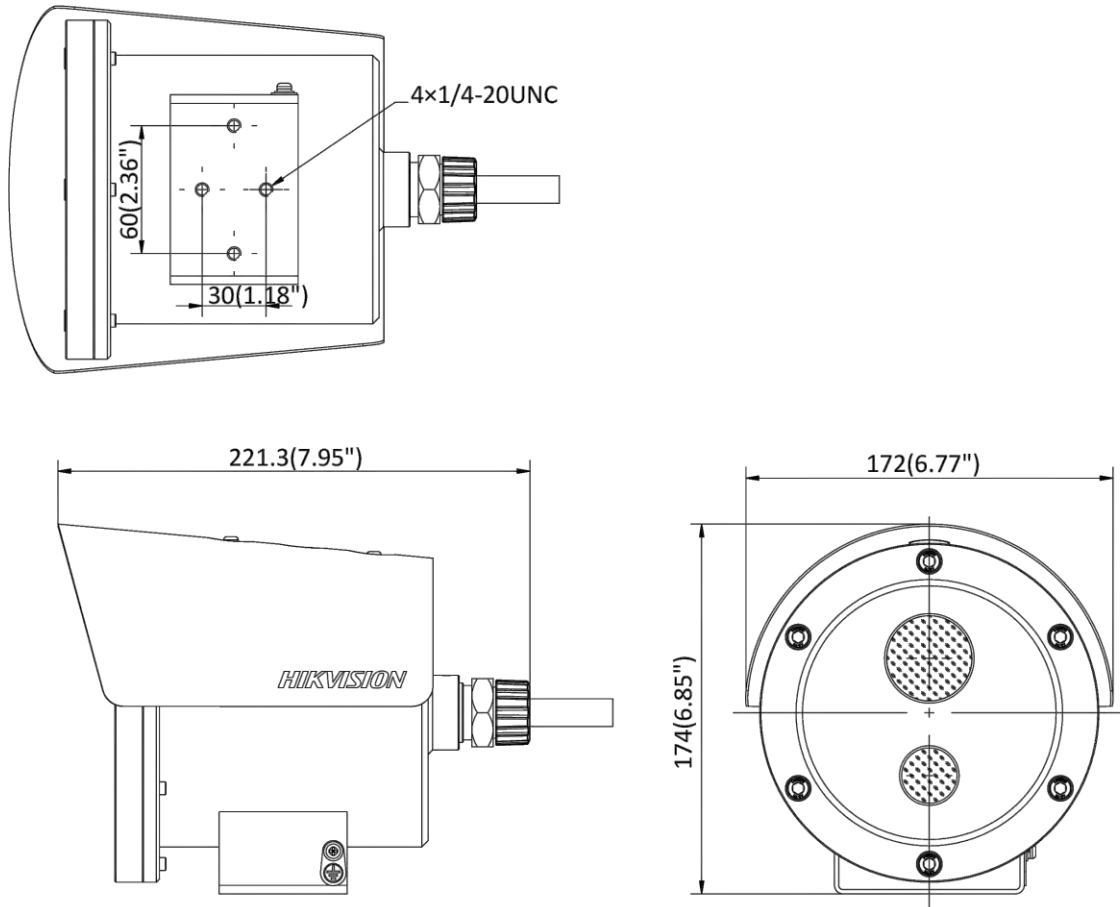
▪ Typical Application

Hikvision products are classified into three levels according to their anti-corrosion performance. Refer to the following description to choose for your using environment.

This model has TOP-LEVEL SPECIFIC PROTECTION.

Level	Description
Top-level protection	Hikvision products at this level are equipped for use in areas where professional anti-corrosion protection is a must. Typical application scenarios include coastlines, docks, chemical plants, and more.
Moderate protection	Hikvision products at this level are equipped for use in areas with moderate anti-corrosion demands. Typical application scenarios include coastal areas about 2 kilometers (1.24 miles) away from coastlines, as well as areas affected by acid rain.
No specific protection	Hikvision products at this level are equipped for use in areas where no specific anti-corrosion protection is needed.

▪ **Dimension**



Unit: mm (inch)

▪ **Accessory**

▪ **Optional**

DS-1704ZJ-Y-AC(OS)	DS-2780ZJ-X/316L(OS)	DS-1706ZJ-Y-AC(OS)
Wall Mount	Explosion-Proof Terminal Box	Wall Mount
		

Distributed by

**HIKVISION****Headquarters**

No.555 Qianmo Road, Binjiang District,
Hangzhou 310051, China
T +86-571-8807-5998
overseasbusiness@hikvision.com

Hikvision USA
T +1-909-895-0400
sales.usa@hikvision.com

Hikvision Australia
T +61-2-8599-4233
salesau@hikvision.com

Hikvision India
T +91-22-28469900
sales@pramahikvision.com

Hikvision Canada
T +1-866-200-6690
sales.canada@hikvision.com

Hikvision Thailand
T +662-275-9949
sales.thailand@hikvision.com

Hikvision Europe
T +31-23-5542770
sales.eu@hikvision.com

Hikvision Italy
T +39-0438-6902
info.it@hikvision.com

Hikvision Brazil
T +55 11 3318-0050
Latam.support@hikvision.com

Hikvision Turkey
T +90 (216)521 7070- 7074
sales.tr@hikvision.com

Hikvision Malaysia
T +601-7652-2413
sales.my@hikvision.com

Hikvision UK & Ireland
T +01628-902140
sales.uk@hikvision.com

Hikvision South Africa
Tel: +27 (10) 0351172
sale.africa@hikvision.com

Hikvision France
T +33(0)1-85-330-450
info.fr@hikvision.com

Hikvision Kazakhstan
T +7-727-9730667
nikia.panfilov@hikvision.ru

Hikvision Vietnam
T +84-974270888
sales.vt@hikvision.com

Hikvision UAE
T +971-4-4432090
salesme@hikvision.com

Hikvision Singapore
T +65-6684-4718
sg@hikvision.com

Hikvision Spain
T +34-91-737-16-55
info.es@hikvision.com

Hikvision Tashkent
T +99-87-1238-9438
uzb@hikvision.ru

Hikvision Hong Kong
T +852-2151-1761
info.hk@hikvision.com

Hikvision Russia
T +7-495-669-67-99
saleru@hikvision.com

Hikvision Korea
T +82-(0)31-731-8817
sales.korea@hikvision.com

Hikvision Poland
T +48-22-460-01-50
info.pl@hikvision.com

Hikvision Indonesia
T +62-21-2933759
Sales.Indonesia@hikvision.com

Hikvision Colombia
sales.colombia@hikvision.com