

70 SERIES HC70WB8R2



8 MP Network Outdoor Bullet Camera



OPERATIONAL

Video Standard	NTSC/PAL
Scanning System	Progressive
Image Sensor	Sony IM x 334, 1/1.8 in
Sensor size (H x V)	7,68 mm x 4,32 mm
Number Of Pixels (H x V)	8 MP (3840 x 2160)
Minimum Illumination (Color/BW)	Color: 0.005 Lux @F1.5, B/W: 0Lux @F1.5 (IR on)
S/N Ratio	>50 dB
Electronic Shutter Speed	Exposure Mode: manual Min exposure time: 1/32000-1/120 Max exposure time: 1/25000-1
IR Distance	60 m
IR Light Control	Smart IR (Auto/Manual) /OFF, External IR trigger by output
IR Light Number	4
Removable IR-Cut Filter	Yes
Day/Night	Auto/Day/Night/Schedule
Backlight Compensation	WDR, HLC
White Balance	Auto/Fixed Current/Manual
Gain Control	0-100 %
Wide Dynamic Range	130 dB
Noise Reduction	3D DNR
Lens	Remote Focus, 3,6 mm to 11 mm, MFZ, P-IRIS, F1.5 ~ F2.8
Angle Of View (H x V)	H: 108° ~ 50°, V: 60° ~ 28°
G-Sensor	Support Camera Direction OSD Display (Default-Off)
Privacy Masking	Off/On (5 Areas)
Defog	Support
Encryption Chipset	Built-in FIPS 140-2 certified encryption chipset
Local Storage	2 Micro SD/SDHC/SDXC card slot (up to 1 TB each), SD card encryption
Micro USB	Support Wi-Fi dongle configuration
Alarm Inputs / Outputs	1 In/1 Out

VIDEO

Smart Video Analytics (Built-in)	Intrusion detection, loiter detection, line crossing, face detection, object left unattended, object removed, motion detection, tampering detection
Video Analytics (Additional license required)	License plate recognition
Compression	H.265 HEVC/H.264/MJPEG, Smart Codec
Resolution (16/9)	3840 x 2160 (8 M), 3264 x 1840(6 M), 2592 x 1944 (5 M), 2688 x 1520 (4 M), 2048 x 1536 (3 M), 1920 x 1080 (2 M), 1280 x 960, 1280 x 720 (1 M), 800 x 600, 640 x 480, 640 x 360, 320 x 240
Number of Video Streams	3
Frame Rate Main Stream	30 fps (8 M mode), 60 fps (2 M mode)
Frame Rate Second Stream	30 fps (8 M mode), 60 fps (2 M mode)
Frame Rate Third Stream	30 fps (8 M mode), 60 fps (2 M mode)
Bit Rate	16K to 80 Mbps

AUDIO

Compression	G.711a/G.711Mu/G.726
Stream	Full duplex, simplex
Interface	Line in/out

NETWORK

Ethernet	10 Base-T/100 Base-TX Ethernet (RJ-45)
Supported Web Browsers	Mozilla Firefox™, Chrome™, Microsoft® Edge™
Supported OS	Microsoft® Windows™ 10
Protocols*	IPv4, IPv6, TCP/IP, HTTP, HTTPS, UPnP, RTSP/RTP/ RTCP, IGMP/Multicast,SMTP, DHCP, NTP, DNS, DDNS, CoS, QoS, SNMP, 802.1X, UDP, ICMP, ARP, TLS
Interoperability	ONVIF Profile G / S / T
Maximum Users Access	10 Users
Security	User account and password protection, HTTPS, IP filter, digest authentication, TLS1.2 only, stream encryption, AES128/256, SSH/Telnet closed, PCIDSS compliance,FIPS 140-2 certified chipset built-in, UL 2900-2-3, Security Level L3
Languages Supported	English, French, German, Italian, Japanese, Portu- guese, Russian, Spanish, Traditional Chinese

EVENTS

Event type	Video analytics, periodically, alarm input, system boot, recording notification
Event linkage	Event notification using digital output, HTTP, e-mail and MicroSD card
Region Of Interest	6

ELECTRICAL

Power Supply	AC24 V , PoE (IEEE 802.3at, Class 4)
Power Consumption (Max)	24 W

MECHANICAL

Dimensions (D x D x L)	104,9 mm x 104,9 mm x 171,3 mm (4.11 in x 4.11 in x 6.74 in)
Product Weight	1,75 kg (3.86 lb)
Package Weight	2,2 kg (4.85 lb)
Body Material	Polycarbonate/Metal (die casting aluminum with powder coating)
Color	RAL 120-1 (Honeywell white)/RAL 7022 (dark gray)

ENVIRONMENTAL

Operating Temperature	-40°C to +60°C (-40°F to +140°F) (65°C [145°F] 4 hours)
Relative Humidity	Less than 90 %, non-condensing
Ingress Protection	IP66/IP67/NEMA 4 X
Impact Resistance	IK10
Heater	Yes
Gore Vent	Yes

70 Series 8 MP Network Outdoor Bullet Camera Technical Specifications

REGULATORY	
Emissions	FCC PART 15, CE (EN 55032), comply with RCM and UKCA
Immunity	CE (EN 50130-4), comply with RCM and UKCA
Safety	UL listed to UL/CSA 62368-1, CE (EN 62368-1), UL/CSA 60950-22, CE (EN 60950-22), comply with UKCA
RoHS	CE (EN 50581), UAE (Cabinet Decree No.10 of 2017)
Country of Origin	Taiwan

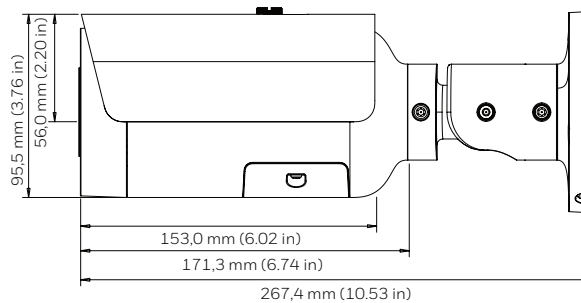
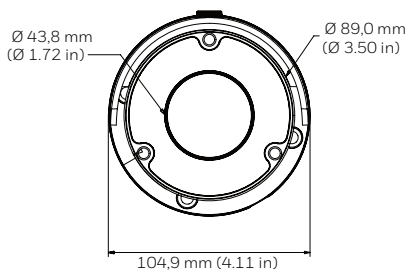
SYSTEM COMPATIBILITY	
Pro-Watch NVR	Up to 256 IP channels RAID5/6 Enterprise NVR
Maxpro NVR PE	Up to 128 IP channels RAID5/6 Enterprise NVR
Maxpro NVR SE	Up to 64 IP channels system NVR
Maxpro NVR XE	Up to 16 IP channels system NVR
Maxpro NVR Software	Up to 128 IP channels recording software
Honeywell DVM	Supported with Honeywell DVM R700.1 (and later maintenance releases)

OPTIONAL MOUNTS AND ACCESSORIES	
HA60BB1	Junction box, 60 and 70 Series outdoor bullet cameras
HA60CNMZ	Corner mount bracket
HA60PLMZ	Pole mount bracket
HA60WIF	Wi-Fi dongle and USB adapter for camera configuration

ORDERING*	
HC70WB8R2	8 MP Network IR bullet camera, TDN, WDR, 1/2.7 in CMOS, 3,6 mm to 11 mm MFZ, 4 IR LEDs, H.265, PoE, IP66/IP67/IK10, NDAA compliant
HV70LPRL1	Honeywell License Plate Recognition L1, Stop & Go
HV70LPRL2	Honeywell License Plate Recognition L2, Up to Speed 30 mph

DIMENSIONS

Figure 1. Dimensions



For More Information

buildings.honeywell.com/security

Honeywell Commercial Security

715 Peachtree St NE
Atlanta, GA 30308
1.800.323.4576
www.honeywell.com

Microsoft®, Windows™, Edge™ are trademarks or registered trademarks of Microsoft, Inc. in the United States and other countries.

Firefox™ is a trademark of the Mozilla Foundation in the U.S. and other countries.

Google Chrome™ is a trademark of Google LLC in the U.S. and other countries.

ONVIF and the ONVIF logo are trademarks of ONVIF Inc.

HEVC Advance logo is a trademark of HEVC Advance.

Honeywell reserves the right, without notification, to make changes in product design or specifications.

HSV-HC70WB8R2-02-US(0422)DS-IL
© 2022 Honeywell International Inc.

Honeywell