

IDS-7200HQHI-M1/S SERIES TURBO ACUSENSE DVR

Key Feature

- Deep learning-based motion detection 2.0 for all analog channels
- Deep learning-based perimeter protection
- H.265 Pro+/H.265 Pro/H.265/H.264+/H.264 video compression
- HDTV/AVD/CVI/CVBS/IP video inputs
- Audio via coaxial cable
- Up to 6/12/24-ch IP camera inputs (up to 6 MP)
- Up to 10 TB capacity per HDD



Compression and Recording

- H.265 Pro+ video compression improves encoding efficiency, and reduces data storage costs
- Full channel recording at up to 1080p resolution

Storage and Playback

- Smart search for efficient playback
- Support the third party cloud storage

Smart Function

- Deep learning-based motion detection, and perimeter protection (line crossing and intrusion detection)
- Support multiple VCA (Video Content Analytics) events for both analog and smart IP cameras

Network & Ethernet Access

- Compatible with major Wi-Fi dongle products in the market
- Hik-Connect & DDNS (Dynamic Domain Name System) for easy network management
- Output bandwidth limit configurable



Specification

Model	iDS-7204HQHI-M1/S	iDS-7208HQHI-M1/S	iDS-7216HQHI-M1/S
Motion Detection 2.0¹			
Human/Vehicle Analysis	Deep learning-based motion detection 2.0 is enabled by default for all analog channels, it can classify human and vehicle, and extremely reduce false alarms caused by objects like leaves and lights; Quick search by object or event type is supported;		
Perimeter Protection¹			
Human/Vehicle Analysis	Up to 2-ch	Up to 4-ch	
Recording			
Video compression	H.265 Pro+/H.265 Pro/H.265/H.264+/H.264		
Encoding resolution	Main stream: When 1080p lite mode not enabled: For 4 MP stream access: 4 MP lite@15 fps; 1080p lite/720p/WD1/4CIF/VGA/CIF@25 fps (P)/30 fps (N) For 3 MP stream access: 3 MP/1080p/720p/VGA/WD1/4CIF/CIF@15 fps For 1080p stream access: 1080p/720p@15 fps; VGA/WD1/4CIF/CIF@25 fps (P)/30 fps (N) For 720p stream access: 720p/VGA/WD1/4CIF/CIF@25 fps (P)/30 fps (N) When 1080p Lite mode enabled: 4 MP lite/3 MP@15 fps; 1080p lite/720p lite/VGA/WD1/4CIF/CIF@25 fps (P)/30 fps (N)		
	Sub-stream: WD1/4CIF@12 fps; CIF@25 fps (P)/30 fps (N)		
Video bitrate	32 Kbps to 6 Mbps		
Dual stream	Support		
Stream type	Video, Video & Audio		
Audio compression	G.711u		
Audio bitrate	64 Kbps		
Video and Audio			
IP video input²	1-ch (up to 5-ch)	2-ch (up to 10-ch)	2-ch (up to 18-ch)
	Enhanced IP mode on: 2-ch (up to 6-ch), each up to 4 Mbps	Enhanced IP mode on: 4-ch (up to 12-ch), each up to 4 Mbps	Enhanced IP mode on: 8-ch (up to 24-ch), each up to 4 Mbps
	Up to 6 MP resolution Support H.265+/H.265/H.264+/H.264 IP cameras		
Analog video input	4-ch	8-ch	16-ch
	BNC interface (1.0 Vp-p, 75 Ω), supporting coaxitron connection		
HDTVl input	4 MP, 3 MP, 1080p30, 1080p@25 fps, 720p@60 fps, 720p@50 fps, 720p@30 fps, 720p@25 fps *: The 3 MP signal input is only available for channel 1 of iDS-7204HQHI-M1/S, for channel 1/2 of iDS-7208HQHI-M1/S, and for channel 1/2/3/4 of iDS-7216HQHI-M1/S.		
AHD input	4 MP, 1080p@25 fps, 1080p@30 fps, 720p@25 fps, 720p@30 fps		
HDCVI input	4 MP, 1080p@25 fps, 1080p@30 fps, 720p@25 fps, 720p@30 fps		

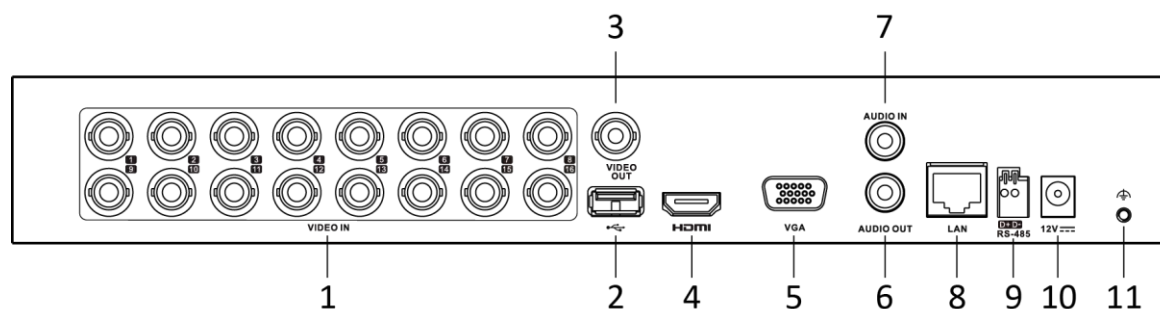
CVBS input	PAL/NTSC		
CVBS output	1-ch, BNC (1.0 Vp-p, 75 Ω), resolution: PAL: 704 × 576, NTSC: 704 × 480		
HDMI/VGA output	1-ch, 1920 × 1080/60Hz, 1280 × 1024/60Hz, 1280 × 720/60Hz, 1024 × 768/60Hz, HDMI/VGA simultaneous output		
Audio input	1-ch, RCA (2.0 Vp-p, 1 KΩ)		
	4-ch via coaxial cable	8-ch via coaxial cable	16-ch via coaxial cable
Audio output	1-ch, RCA (Linear, 1 KΩ)		
Two-way audio	1-ch, RCA (2.0 Vp-p, 1 KΩ) (using the first audio input)		
Synchronous playback	4-ch	8-ch	16-ch
Network			
Remote connection	32	64	128
Network protocol	TCP/IP, PPPoE, DHCP, Hik-Connect, DNS, DDNS, NTP, SADP, NFS, iSCSI, UPnP™, HTTPS, ONVIF		
Network interface	1, RJ45 10/100 Mbps self-adaptive Ethernet interface		1, RJ45 10/100/1000 Mbps self-adaptive Ethernet interface
Wi-Fi	Connectable to Wi-Fi network by Wi-Fi dongle through USB interface		
Auxiliary interface			
SATA	1 SATA interface, up to 10 TB capacity for each disk		
Serial interface	RS-485 (half-duplex)		
USB interface	Front panel: 1 × USB 2.0; Rear panel: 1 × USB 2.0		Front panel: 1 × USB 2.0; Rear panel: 1 × USB 3.0
Alarm in/out	N/A		
General			
Power supply	12 VDC, 1.5 A		12 VDC, 2 A
Consumption (without HDD)	≤ 18 W		≤ 24 W
Working temperature	-10 °C to 55 °C (14 °F to 131 °F)		
Working humidity	10% to 90%		
Dimension (W × D × H)	315 × 242 × 45 mm (12.4 × 9.5 × 1.8 inch)		
Weight (without HDD)	≤ 1.16 kg (2.6 lb)	≤ 1.78 kg (3.9 lb)	≤ 2 kg (4.4 lb)

Note:

1: Motion detection 2.0 and perimeter protection cannot be enabled at the same time. Enable one function will make the other one unavailable.

2: Enhanced IP mode might be conflicted with smart events (face picture comparison, motion detection 2.0 and perimeter protection) or other functions, please refer to the user manual for details.

Physical Interface



*: The rear panel of iDS-7204HQHI-M1/S provides 4 video input interfaces. The rear panel of iDS-7208HQHI-M1/S provides 8 video input interfaces.

No.	Description	No.	Description
1	VIDEO IN	7	AUDIO IN, RCA connector
2	USB interface	8	LAN network interface
3	VIDEO OUT	9	RS-485 serial interface
4	HDMI interface	10	12 VDC power input
5	VGA interface	11	GND
6	AUDIO OUT, RCA connector		

Available Model

iDS-7204HQHI-M1/S, iDS-7208HQHI-M1/S, iDS-7216HQHI-M1/S

Distributed by



Headquarters

No.555 Qianmo Road, Binjiang District,
Hangzhou 310051, China
T +86-571-8807-5998
overseasbusiness@hikvision.com

Hikvision USA
T +1-909-895-0400
sales.usa@hikvision.com

Hikvision Australia
T +61-2-8599-4233
salesau@hikvision.com

Hikvision India
T +91-22-28469900
sales@pramahikvision.com

Hikvision Canada
T +1-866-200-6690
sales.canada@hikvision.com

Hikvision Thailand
T +662-275-9949
sales.thailand@hikvision.com

Hikvision Europe
T +31-23-5542770
sales.eu@hikvision.com

Hikvision Italy
T +39-0438-6902
info.it@hikvision.com

Hikvision Brazil
T +55 11 3318-0050
Latam.support@hikvision.com

Hikvision Turkey
T +90 (216)521 7070- 7074
sales.tr@hikvision.com

Hikvision Malaysia
T +601-7652-2413
sales.my@hikvision.com

Hikvision UK & Ireland
T +01628-902140
sales.uk@hikvision.com

Hikvision South Africa
Tel: +27 (10) 0351172
sale.africa@hikvision.com

Hikvision France
T +33(0)1-85-330-450
info.fr@hikvision.com

Hikvision Kazakhstan
T +7-727-9730667
nikia.panfilov@hikvision.ru

Hikvision Vietnam
T +84-974270888
sales.vt@hikvision.com

Hikvision UAE
T +971-4-4432090
salesme@hikvision.com

Hikvision Singapore
T +65-6684-4718
sg@hikvision.com

Hikvision Spain
T +34-91-737-16-55
info.es@hikvision.com

Hikvision Tashkent
T +99-87-1238-9438
uzb@hikvision.ru

Hikvision Hong Kong
T +852-2151-1761
info.hk@hikvision.com

Hikvision Russia
T +7-495-669-67-99
saleru@hikvision.com

Hikvision Korea
T +82-(0)31-731-8817
sales.korea@hikvision.com

Hikvision Poland
T +48-22-460-01-50
info.pl@hikvision.com

Hikvision Indonesia
T +62-21-2933759
Sales.Indonesia@hikvision.com

Hikvision Colombia
sales.colombia@hikvision.com

04261022010224