

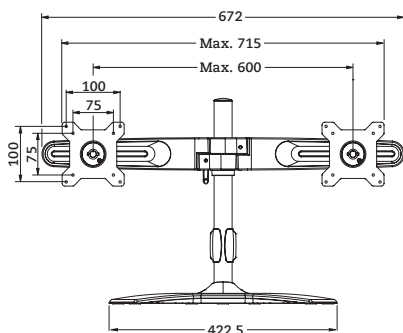
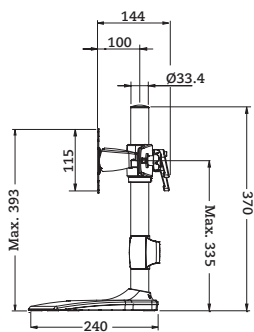
## DMS-01D



Double your view and free up workspace at the same time with the AG Neovo DMS-01D dual-display stand.

Manage dual on-screen images and adjust the display angles for enhancing work efficiency and ergonomic comfort with the DMS-01D display stand. Smart cable management helps maintain the cleanness of working area. Steel hinges and robust components ensure the durability. Compliant with VESA standard, the DMS-01D accommodates a variety of display sizes up to 24".

- > Smart cable management
- > Intuitive installation
- > Selective materials for durable product life time
- > Compatible with VESA standard (75 x 75 mm and 100 x 100 mm)
- > Height adjustable design
- > Swivel left and right for -20° to 20° per hinge
- > 40° of tilt up and down per hinge
- > Rotate for 360° per hinge
- > Weight capacity: 12 kg per hinge



### Specifications

Mounting	VESA Standard	75 x 75 mm / 100 x 100 mm
Loading	Weight Capacity	12 kg (26.5 lbs) per hinge
Adjustment (Mounting Bracket)	Rotate	360°
	Swivel	- 20° ~ + 20° per hinge
	Tilt	- 20° ~ + 20° per hinge
Exterior	Material	Steel, Aluminium alloy, Plastic
	Colour	Black & Silver
Dimensions	Net (W x H x D)	672 x 370 x 240 mm (26.5" x 18.5" x 5.7")
	Packing (W x H x D)	474 x 95 x 273 mm (18.7" x 3.7" x 10.7")
Weight	Net Weight	3.1 kg (6.9 lbs)
	Gross Weight	3.6 kg (8.0 lbs)
Packing	1 Carton	5 sets
	1 Pallet	120 sets