

DS-2SE7C432MWG-EB/26(F0) TandemVu 4 MP 32 × Network PTZ Camera



- Panoramic channel supports image stitching, with 180° horizontal field of view
- High quality imaging with 6 MP resolution in panoramic channel and 4 MP resolution in PTZ channel
- Secures an expansive area with 32 × optical zoom and 16 × digital zoom
- AcuSense technology focuses on human and vehicle targets classification and supports face capture to detect, capture and select faces in motion
- Expansive night view with up to 200 m IR distance in PTZ channel and 30 m white light in panoramic channel
- Active strobe light and audio alarm to warn intruders off
- Smart-linkage between panoramic channel and PTZ channel

▪ Specification

Camera	
Image Sensor	[Panoramic channel] 1/2.5" Progressive Scan CMOS [PTZ channel] 1/2.8" Progressive Scan CMOS
Shutter Speed	1 s to 1/30,000 s
Min. Illumination	[PTZ channel] Color: 0.005 Lux @ (F1.5, AGC ON), B/W: 0.001 Lux @ (F1.5, AGC ON), 0 lux with IR [Panoramic channel] Color: 0.0005 Lux @ (F1.0, AGC ON), 0 Lux with Light
Slow Shutter	yes
Day & Night	IR cut filter
HLC	yes
3D DNR	yes
White Balance	auto,ATW,sodium lamp,fluorescent lamp,indoor,outdoor,MWB,Locked WB
Zoom	32 × optical,16 × digital
Max. Resolution	[Panoramic channel] 3632 × 1632 [PTZ channel] 2560 × 1440
Lens	
FOV	[Panoramic channel] horizontal field of view: 180°±10°, vertical field of view: 80°±5° [PTZ channel] horizontal field of view: 60.2° to 2.3°
Focus	Auto,semi-auto>manual
Zoom Speed	[Panoramic channel] No [PTZ channel] approx. 5.6 s
Focal Length	[Panoramic channel] 2.8 mm [PTZ channel] 5.9 to 188.8 mm
Aperture	[Panoramic channel] F1.0 [PTZ channel] Max. F1.5
Illuminator	
White Light Distance	Panoramic channel: 30 m
Supplement Light Range	IR distance: up to 200 m
PTZ	
Movement Range (Pan)	360°
Movement Range (Tilt)	-15° to 90°
Pan Speed	Pan speed: configurable from 0.1° to 160°/s, preset speed: 240°/s
Tilt Speed	Tilt speed: configurable from 0.1° to 120°/s, preset speed 200°/s
Proportional Pan	Yes
Presets	300
Patrol Scan	8 patrols, up to 32 presets for each patrol
Pattern Scan	4 pattern scans, record time over minutes for each scan
Power-off Memory	Yes
Park Action	Preset,pattern scan,patrol scan,auto scan,tilt scan,random scan,frame scan,panorama scan
3D Positioning	Yes
PTZ Status Display	Yes
Preset Freezing	Yes
Scheduled Task	Preset,pattern scan,patrol scan,auto scan,tilt scan,random scan,frame scan,panorama scan,dome reboot,aux output,dome adjust

Video	
Stream Type	main stream,sub-stream,third stream
Main Stream	[PTZ channel] 50 Hz: 25 fps (2560 × 1440, 1920 × 1080, 1280 × 960, 1280 × 720), 60 Hz: 30 fps (2560 × 1440, 1920 × 1080, 1280 × 960, 1280 × 720) [Panoramic channel] 50 Hz: 25 fps (3632 × 1632, 3680 × 1656), 60 Hz: 30 fps (3632 × 1632, 3680 × 1656)
Sub-Stream	[PTZ channel] 50 Hz: 25 fps (704 × 576, 640 × 480, 352 × 288), 60 Hz: 30 fps (704 × 480, 640 × 480, 352 × 240) [Panoramic channel] 50 Hz: 25 fps (1200 × 536, 960 × 432), 60 Hz: 30 fps (1200 × 536, 960 × 432)
Third Stream	[PTZ channel] 50 Hz: 25 fps (1920 × 1080, 1280 × 960, 1280 × 720, 704 × 576, 640 × 480, 352 × 288), 60 Hz: 30 fps (1920 × 1080, 1280 × 960, 1280 × 720, 704 × 480, 640 × 480, 352 × 240) [Panoramic channel] No
Video Compression	Main stream: H.265+/H.265/H.264+/H.264, Sub-stream: H.265/H.264/MJPEG, Third stream: H.265/H.264/MJPEG
Video Bit Rate	32 Kbps to 16384 Mbps
H.264 Type	Baseline Profile,Main Profile,High Profile
H.265 Type	Main Profile
Scalable Video Coding (SVC)	yes
Region of Interest (ROI)	fixed region
Audio	
Audio Compression	G.711,G.722.1,G.726,MP2L2,PCM,AAC-LC,MP3
Audio Bit Rate	32 to 192 Kbps (MP2L2),16 to 64Kbps (AAC-LC),8 to 320 Kbps (MP3)
Audio Sampling Rate	MP2L2: 16kHz, 32kHz, 48kHz AAC-LC: 16kHz, 32kHz, 48kHz PCM: 8kHz, 16kHz, 32kHz, 48kHz MP3: 8kHz, 16KHz, 32KHz, 48KHz
Environment Noise Filtering	yes
Smart Features	
Smart Record	ANR (Automatic Network Replenishment), Dual-VCA
Network	
Protocols	TCP/IP,ICMP,HTTP,HTTPS,FTP,DHCP,DNS,DDNS,RTP,RTSP,RTCP,PPPoE,NTP,UPnP,SMTP,SNMP,IGMP,802.1X,QoS,IPv4/IPv6,UDP,Bonjour,WebSocket,WebSockets,SRTP
Network Storage	NAS (NFS, SMB/CIFS),auto network replenishment (ANR)
API	ISUP,SDK,ISAPI,ONVIF (Profile S, Profile G, Profile T)
Simultaneous Live View	20
User/Host	32
Security	Password protection,HTTPS encryption,802.1X authentication (EAP-TLS, EAP-LEAP, EAP-MD5),host authentication (MAC address),IP address filter
Client	iVMS-4200,HikCentral Pro,Hik-Connect
Web Browser	IE 11+, Chrome 57+, Firefox 52+, Safari 12+, Edge79.0.309.65+
Image	
Wide Dynamic Range (WDR)	[Panoramic channel] Digital WDR [PTZ channel] 120 dB
Day/Night Switch	Day,night,auto,schedule

Image Enhancement	BLC,HLC,3D DNR
Defog	yes
Image Stabilization	yes
Regional Exposure	yes
Regional Focus	yes
Image Settings	saturation, brightness, contrast, sharpness
Image Parameters Switch	Yes
Privacy Mask	24 programmable polygon privacy masks, mask color or mosaic configurable
SNR	> 52dB
Interface	
Ethernet Interface	1 RJ45 10/100M self-adaptive Ethernet port
On-board Storage	Built-in memory card slot, support Micro SD/Micro SDHC/Micro SDXC, up to 512 GB
Alarm	2 input(s), 1 output(s)
Audio	1 input (line in), max. input amplitude: 2-2.4 vpp, input impedance: 1 K Ω \pm 10%, 1 output (line out), line level, output impedance: 600 Ω
Reset	Yes
Event	
Basic Event	Motion detection,video tampering alarm,alarm input and output,exception (network disconnected, IP address conflict, illegal login, HDD full, HDD error, abnormal restart)
Smart Event	Line crossing detection,intrusion detection,region entrance detection,region exiting detection,audio exception detection
Linkage	Upload to FTP/NAS/memory card,notify surveillance center,send email,trigger alarm output,trigger recording,and PTZ actions (such as preset, patrol scan, pattern scan),audible warning,white light flashing
Smart Linkage	panorama linkage, tracking takeover, track in turn
Smart Tracking	Manual tracking,auto-tracking
Deep Learning Function	
Face Capture	Support detecting up to 5 faces at the same time. Support detecting, capturing, grading, selecting of face in motion, and output the best face picture of the face
General	
Power	24 VAC, Max. 60 W, Hi-PoE
Material	ADC12,Plastic,PC+10%GF
General Function	mirror,watermark,password protection,IP address filter
Operating Condition	-30 $^{\circ}$ C to 65 $^{\circ}$ C (-22 $^{\circ}$ F to 149 $^{\circ}$ F). Humidity 90% or less (non-condensing)
Demist	Yes
Dimension	\varnothing 222.3 mm \times 387.2 mm (\varnothing 8.75" \times 15.2")
Weight	Approx. 4.75 kg (10.47 lb.)
Approval	
Protection	IP66 (IEC 60529-2013)

▪ DORI

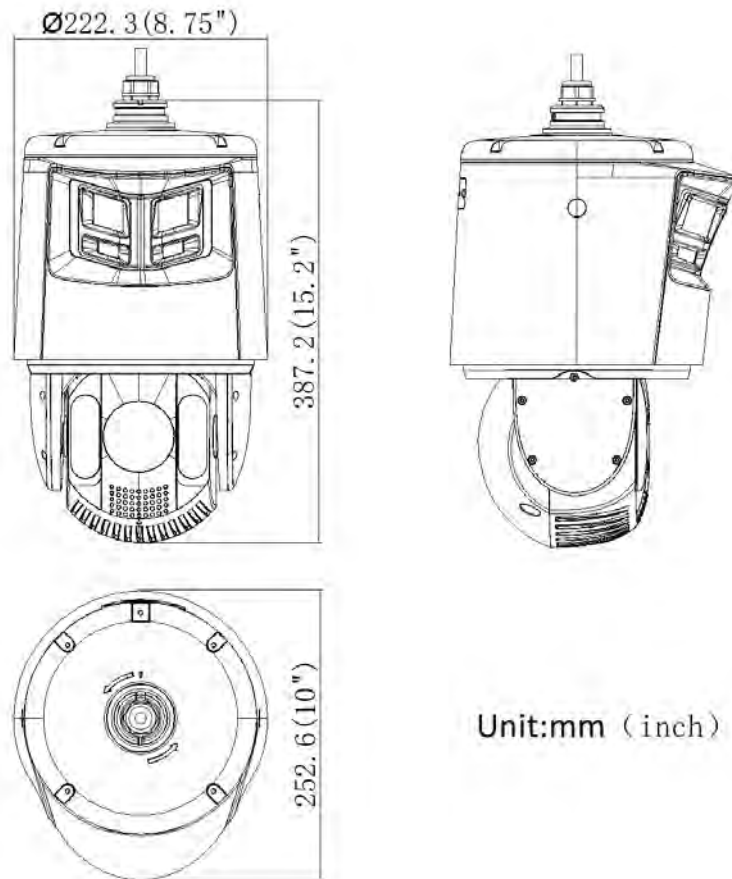
The DORI (detect, observe, recognize, identify) distance gives the general idea of the camera ability to distinguish persons or objects within its field of view. It is calculated based on the camera sensor specification and the criteria given by EN 62676-4: 2015.

DORI	Detect	Observe	Recognize	Identify
Definition	25 px/m	63 px/m	125 px/m	250 px/m
Distance (Tele)	3060.0 m (10039.4 ft.)	1214.3 m (3983.9 ft.)	612 m (2007.9 ft.)	306.0 m (1004.0 ft.)

▪ **Available Model**

DS-2SE7C432MWG-EB/26(F0)

▪ **Dimension**



▪ **Accessory**

▪ **Optional**

DS-1602ZJ-Pole	DS-1681ZJ-2	DS-1661ZJ	DS-1602ZJ	DS-1602ZJ-Corner
DS-2681ZJ				



Headquarters

No.555 Qianmo Road, Binjiang District,
Hangzhou 310051, China
T +86-571-8807-5998
www.hikvision.com



Follow us on social media to get the latest product and solution information.

