

DS-KH6320Y-WTE2 2-Wire Indoor Station



The KH6 series 2-wire indoor station, with 7-inch touch screen brings you a fluent video and audio communication. By considering the difficulty of deployment of the traditional video intercom, the device has improved the design and can deploy the whole video intercom system by itself independently, without extra devices or configurations, which reduces the deployment time and cost. You can view, chat with, and send permission for the visitor via mobile phone in anywhere. The device can also link other control systems, such as CCTV system, elevator control system, etc.

- 7-inch IPS touch screen 2-Wire IP indoor station with 1024 × 600 resolution
- Convenient Hik-Connect APP Mobile Control
- Receive calls, open the door and live view remotely
- Easy to use without PC
- Easy wizard for quick set up
- Configure the whole system on one touch screen
- Live view of the door station and cameras in public areas
- Support voice messages when no response from the indoor station
- Receive alarms by linkage with a alarm system and notify the center to handle in time
- Elevator access control

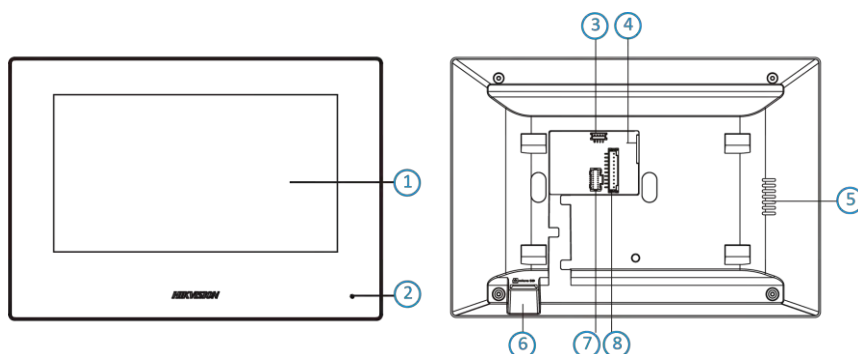
▪ Specification

System parameters	
Operation system	Embedded Linux operation system
ROM	32 MB
RAM	128 MB
Processor	Embedded processor
Display parameters	
Screen size	7-inch
Operation method	Capacitive touch screen
Type	TFT
Resolution	1024 × 600
Video parameters	
Lens	/
Resolution	/
FOV	/
Wide dynamic range (WDR)	/
Video compression standard	/
Focal length	/
Audio parameters	
Audio input	Built-in omnidirectional microphone
Audio compression standard	G.711 U G.711 A
Audio output	Buit-in loudspeaker
Audio compression bitrate	64 Kps
Audio quality	Noise suppression and echo cancellation
Volume adjustment	Adjustable
Capacity	
Message capacity	200 captured pictures (with TF card); 200 alarm records 2 MB RAM (without TF card) reserved for events
Notice capacity	200
Linked network camera capacity	16
Linked indoor extensions capacity	5
Linked doorphone capacity	17 IP doorphones Max.
Network parameters	
Network protocol	TCP/IP, SIP, RTSP
Wi-Fi	IEEE802.11b, IEEE802.11g, IEEE802.11n
Bluetooth	/
3G/4G	/
Zigbee	/
Device interfaces	
Alarm input	8-ch alarm inputs
TAMPER	/
RS-485	1
USB	/
TF card	Max to 128 G, SD 2.0 or lower version

Alarm output	2 relays (30 V Max.)
Lock control	2 relays, Max. to 30 VDC, 0.3 A
Two-Wire IP interface	1
General	
Button	/
Installation	Surface mounting
Indicator	/
Weight	Net weight:0.325 kg Gross weight: 0.650 kg
Protective level	/
Working temperature	-10 °C to 50 °C (14 °F to 122 °F)
Working humidity	10% to 90% (no-condensing)
Dimension (W × H × D)	200 mm × 140 mm × 23.6 mm (7.87" × 5.51" × 0.93")
Battery	/
Power supply	Powered by KAD704Y or KAD706Y series distributor
Application environment	Indoor
Power consumption	≤ 4 W
Language	English, French, Portuguese (Brazil), Spanish, Russian, German, Italian, Polish, Arabic, Turkish, Vietnamese, Hungarian, Dutch, Romanian, Czech, Bulgarian, Ukrainian, Croatian, Serbian, Greek, Portuguese, Slovak

▪ Physical Interface

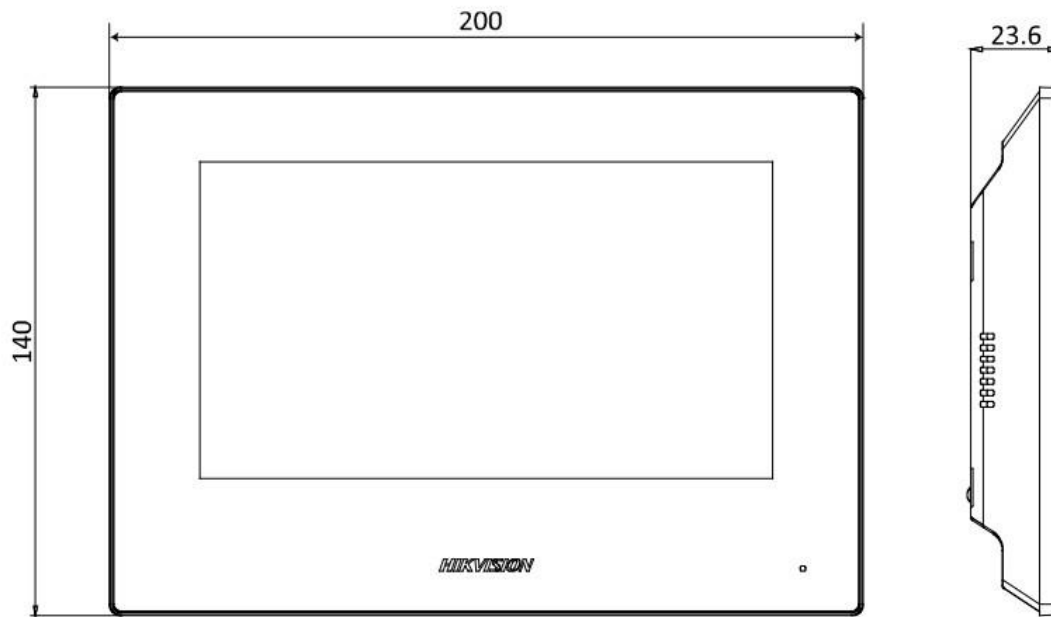
No.	Description	No.	Description
1	Screen	5	Loudspeaker
2	Microphone	6	TF Card Slot
3	Debugging Port	7	Alarm Terminal
4	Network Interface and power supply	8	Reserved



▪ Available Model

DS-KH6320Y-WTE2

▪ **Dimension**



▪ **Accessory**

▪ **Optional**

DS-KABH6320-T Indoor Station Table Bracket	DS-KIS702 Villa Two Wire Kit	DS-KIS702-P Two Wire IP Bundle	DS-KIS702Y	DS-KIS702Y-P
				
DS- KIS702/S#Europe	DS- KIS702/S#EUROPE	DS-KIS702EY	DS-KIS702Y#EU	DS-KIS7021Y-S#EU
				

DS-KIS7022Y-S#EU	DS-KIS7023Y-S#EU	DS-KIS7024Y-S#EU	DS-KIS7021Y-G#EU	DS-KIS7022Y-G#EU
				
DS-KIS7023Y-G#EU		DS-KIS7024Y-G#EU		
				

Headquarters

No.555 Qianmo Road, Binjiang District,
Hangzhou 310051, China
T +86-571-8807-5998
www.hikvision.com



Follow us on social media to get the latest product and solution information.

