

DS-2701ZJ-AC(OS)

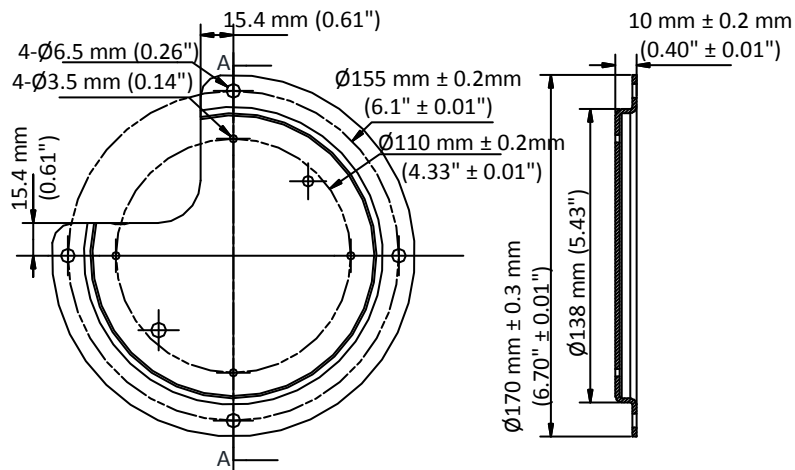
Ceiling Mount



Feature

- SUS316L Stainless steel
- Anti-corrosion surface spray treatment

Dimension



Available Model

DS-2701ZJ-AC(OS)

Parameter

Model	DS-2701ZJ-AC(OS)
Parameters	Ceiling Mount
Appearance	Silver moon grey
Material	SUS316L Stainless steel
Dimension	170 mm × 170 mm × 10 mm (0.56" × 0.56" × 0.03")
Weight	360 g (0.80 lb.)

Note

- The mount should be installed on the flat surface.
- The wall must be capable of supporting at least 3 times as much as the total weight of the camera, and the mount.
- The mount's maximum load capacity is 10 kg (22.05 lb.).