

DS-1692ZJ-X-AC(OS)

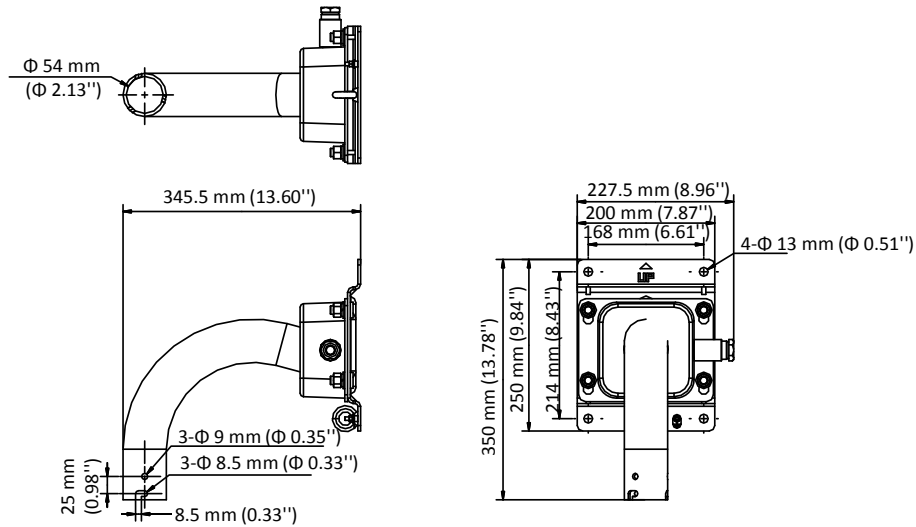
Wall Mount



Features

- Applied to both indoor conditions, and outdoor conditions
- The interface adopts the quick-installed structure

Dimension



Available Model

DS-1692ZJ-X-AC(OS)

Parameter

Model	DS-1692ZJ-X-AC(OS)
Parameters	Wall Mount
Appearance	Silver moon grey
Material	SUS316L Stainless steel
Dimension	350 mm × 200 mm × 345 mm (13.78" × 7.87" × 13.60")
Weight	7 kg (15.43 lb.)

Notes

- The mount should be installed on the flat surface.
- Waterproof rubber is necessary for the outdoor application.
- The wall should be capable of supporting at least 3 times as much as the total weight of the camera, and the mount.
- The maximum load capacity of the mount is 30 kg (66.14 lb.).