

DS-2202ZJ

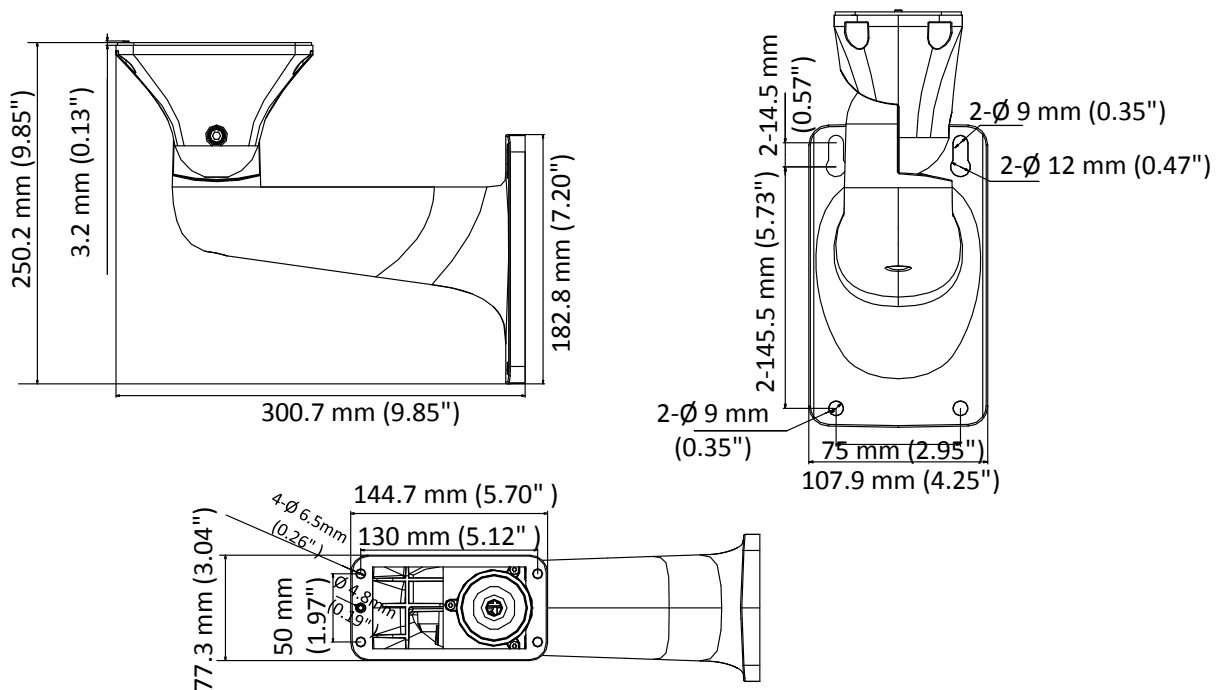
Wall Mount



Feature

- Aluminum alloy with surface spray treatment
- Internal cable routing design
- Use the wall mount with the housing (DS-1331HZ-B)

Dimension



Available Model

DS-2202ZJ

Parameter

Model	DS-2202ZJ
Parameters	Wall Mount
Appearance	Hikvision White
Material	Aluminum Alloy ADC12
Dimension	300.7 mm × 250.2 mm × 107.9 mm (9.85" × 9.85" × 4.25")
Weight	1250 g (2.76 lb.)

Note

- The mount should be installed on the flat surface.
- The wall must be capable of supporting at least 3 times as much as the total weight of the camera, and the mount.
- The mount's maximum load capacity is 10 kg (22 lb.).