

PMCL Series Mounts

Wall and Ceiling Mounts for Flat Panel Monitors

Product Features

- Can Be Used With Pelco PMCL6 Series Monitors
- VESA®-Compliant
- Articulating Arm Wall Mount
- Fixed and Tilt Mounts
- Unique Tilt/Swivel Head Design Ensures Optimum Viewing Angle
- Easy to Install
- For Indoor Applications Only

Pelco's PMCL Series of monitor mounts has been designed for use with flat panel, VESA®-compliant monitors. The PMCL Mount Series includes several wall and ceiling monitor mounts. Many of the mounts feature a unique tilt/swivel capability, which allows the monitor to be swiveled for portrait or landscape viewing and tilted up or down. This tilt/swivel feature ensures the proper viewing angle in any application. PMCLNB mounts are designed to support up to 175 lb. (79.38 kg). PMCL2 mounts are designed to support up to 50 lb. (22.7 kg).



PMCLNBWMF, PMCLNBWMT, and PMCLNBWMS mounting solutions

The PMCLNBWMF flat wall mount, PMCLNBWMT tilt/swivel mount, and PMCLNBWMS articulating arm wall mounts are designed for use with larger flat panel monitors. The PMCLNBWMF and PMCLNBWMT mounts supports a mounting pattern from 200 x 200 mm to 815 x 525 mm. The PMCLNBWMS mount supports a mounting pattern from 200 x 200 mm to 735 x 518 mm. All three mounting solutions support a weight capacity of up to 175 lb (79.38 kg).

PMCL2-WM, PMCL2-WMT, and PMCL2-WM1A mounting solutions

The PMCL2-WM flat wall mount, PMCL2-WMT tilt/pivot mount, and PMCL2-WM1A articulating arm wall mounts are designed for use with smaller flat panel monitors. These PMCL2 mounts support mounting patterns from 75 x 75 mm up to 200 x 200 mm (with included adapter plate) and a weight capacity of up to 50 lb (22.7 kg).

PMCL2-CM, PMCL2-CMPS, and PMCL2-CMPL mounting solutions

The tilt/swivel PMCL2-CMPS and PMCL2-CMPL allow smaller flat panel monitors to be mounted from the ceiling. These mounts are equipped with an adjustable telescoping pole. The PMCL2-CM is a similar ceiling mount that does not include a pole allowing the use of any length of 1.5-in. NPT threaded pipe in

applications with higher ceilings. These PMCL2 mounts support mounting patterns from 75 x 75 mm up to 200 x 200 mm (with included adapter plate) and a weight capacity of up to 50 lb (22.7 kg).

Wall Mounts

Models

Model	Description
PMCLNBWMF	Flat wall mount for 43-in. or larger monitors
PMCLNBWMT	Tilt mount for 43-in. or larger monitors
PMCLNBWMS	Scissor-style articulating arm wall mount for 43-in. or larger monitors
PMCL2-WM1A	Dual-arm swing-out mount
PMCL2-WM	Fixed low-profile flat panel mount
PMCL2-WMT	Single-stud tilt and pivot mount

Mechanical

Parameter	Specification
Swivel adjustment	
PMCLNBWMF	N/A
PMCLNBWMT	N/A
PMCLNBWMS	45°
PMCL2-WM1A	90°
PMCL2-WM	N/A
PMCL2-WMT	N/A
Tilt/pivot adjustment	
PMCLNBWMF	N/A
PMCLNBWMT	10°
PMCLNBWMS	10°
PMCL2-WM1A	15°
PMCL2-WM	N/A
PMCL2-WMT	15°

General

Parameter	Specification
Included Hardware	
PMCLNBWMF	Wall Plate with Fixed Brackets (1), universal hardware pack (1), manual (1)
PMCLNBWMT	Wall Plate with Tilt Brackets (1), universal hardware pack (1), manual (1)
PMCLNBWMS	Swingout Wall Mount (1), universal hardware pack (1), manual (1)
PMCL2-WM1A	Mount (1), adapter plate, universal hardware pack (1), manual (1)
PMCL2-WM	Wall mount (1), adapter plate (1), universal hardware pack (1) which includes universal spacers and M4-M10 screws
PMCL2-WMT	Wall mount (1), adapter plate (1), universal hardware pack (1)
Suggested Mounting Method	
PMCLNBWMF	Secure to wall with studs with a minimum of four lag bolts. Two wall studs are required for mounting. Use a minimum of two lag bolts for each wall stud.
PMCLNBWMT	Secure to wall with studs with a minimum of four lag bolts. Two wall studs are required for mounting. Use a minimum of two lag bolts for each wall stud.
PMCLNBWMS	Secure to wall studs with a minimum of four 5/16-in. diameter x 3-in. lag bolts. Use a flat washer for each lag bolt. Two wall studs are required for mounting. Use a minimum of two lag bolts for each wall stud. It is recommended that two people be involved in installing this mount.
PMCL2-WM1A	Secure to wall stud using four lag bolts, or secure to concrete surface with four wedge anchors.
PMCL2-WM	Secure to wall stud using two lag bolts, or secure to solid surface with four wall anchors.
PMCL2-WMT	Secure to wall stud using four lag bolts, or secure to concrete surface with four wedge anchors.
Maximum Load	
PMCLNBWMF	175.00 lb. (79.38 kg)
PMCLNBWMT	175.00 lb. (79.38 kg)
PMCLNBWMS	175.00 lb. (79.38 kg)
PMCL2-WM1A	50 lb. (22.7 kg)
PMCL2-WM	50 lb. (22.7 kg)
PMCL2-WMT	50 lb. (22.7 kg)
Construction	Steel
Dimensions	
PMCLNBWMF	33.25 x 21.38 x 0.96 in. (84.45 x 54.31 x 2.43 cm)
PMCLNBWMT	33.25 x 21.38 x 1.97 in. (84.45 x 54.30 x 5.00 cm)

Parameter	Specification
PMCLNBWMS	30.19 - 34.31 x 22.23 - 26.43 x 3.11 - 15.90 in. (76.68 – 87.14 x 56.47 – 67.12 x 7.90 – 40.39 cm)
PMCL2-WM1A	8.88 x 8.88 x 3.7 in. (225.55 x 225.55 x 93.98 mm)
PMCL2-WM	8.88 x 8.88 x 81.38 in. (235 x 225 x 21 mm)
PMCL2-WMT	3.94 - 8.88 x 9.5 x 2.84 in. (100 - 225 x 241 x 72 mm)
Unit Weight	
PMCLNBWMF	12.00 lb. (5.44 kg)
PMCLNBWMT	15.00 lb. (6.80 kg)
PMCLNBWMS	40.00 lb. (18.14 kg)
PMCL2-WM1A	11.1 lb. (5.03 kg)
PMCL2-WM	4.02 lb. (1.8 kg)
PMCL2-WMT	6.44 lb. (2.9 kg)
Mounting pattern	
PMCLNBWMF	7.87 x 7.87 in. (200 x 200 mm) to 32.09 x 20.67 in. (815 x 525 mm)
PMCLNBWMT	7.87 x 7.87 in. (200 x 200 mm) to 32.09 x 20.67 in. (815 x 525 mm)
PMCLNBWMS	7.87 x 7.87 in. (200 x 200 mm) to 28.94 x 20.39 in. (735 x 518 mm)
PMCL2-WM1A	2.95 x 2.95 in. (75 x 75 mm) to 7.87 x 7.87 in. (200 x 200 mm)
PMCL2-WM	2.95 x 2.95 in. (75 x 75 mm) to 7.87 x 7.87 in. (200 x 200 mm)
PMCL2-WMT	2.95 x 2.95 in. (75 x 75 mm) to 7.87 x 7.87 in. (200 x 200 mm)
Finish	Black polyester powder coat

PMCLNBWMF Product Image and Dimensional Drawings



Figure 1: PMCLNBWMF product image

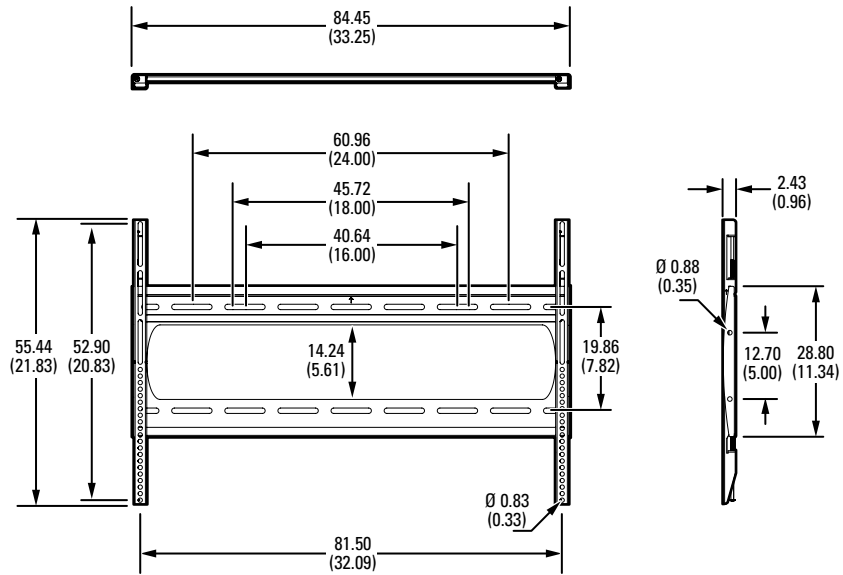



Figure 2: PMCLNBWMT dimensional drawing

 Note: Values in parentheses are inches; all others are centimeters.

PMCLNBWMT Product Image and Dimensional Drawings



Figure 3: PMCLNBWMT product image

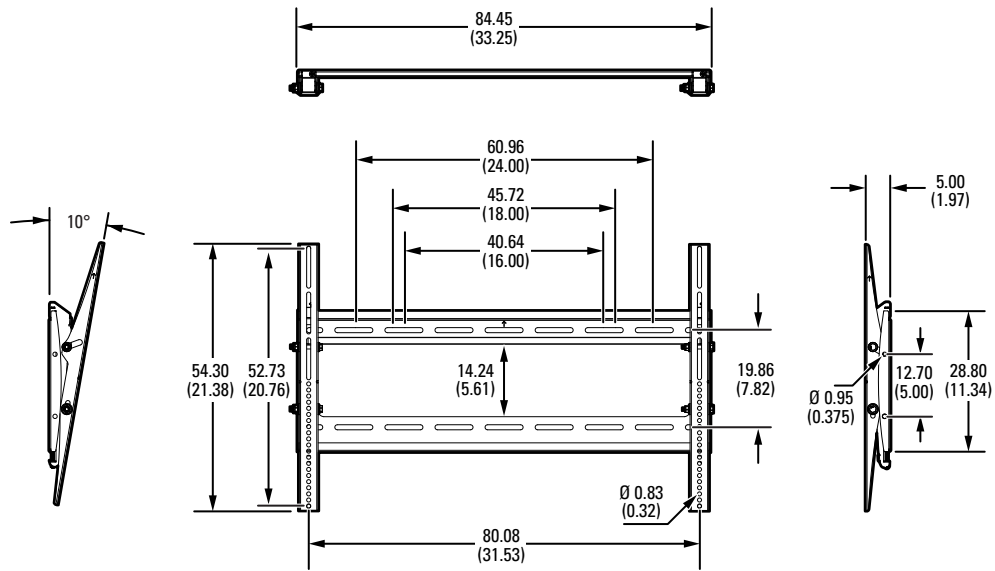


Figure 4: PMCLNBWMT dimensional drawing



Note: Values in parentheses are inches; all others are centimeters.

PMCLNBWMS Product Image and Dimensional Drawings



Figure 5: PMCLNBWMS product image

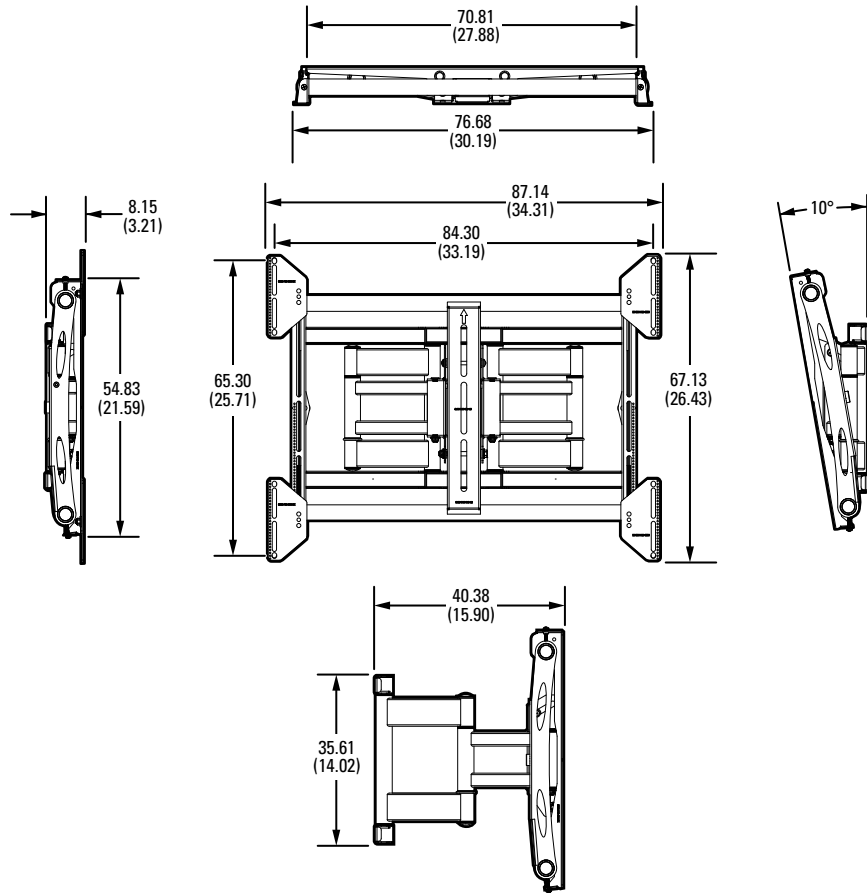



Figure 6: PMCLNBWMS dimensional drawing

 Note: Values in parentheses are inches; all others are centimeters.

PMCL2-WM Product Image and Dimensional Drawings

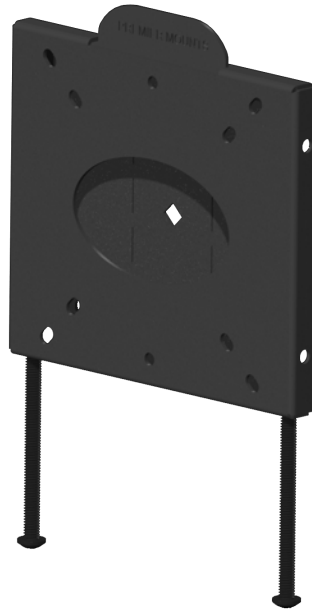
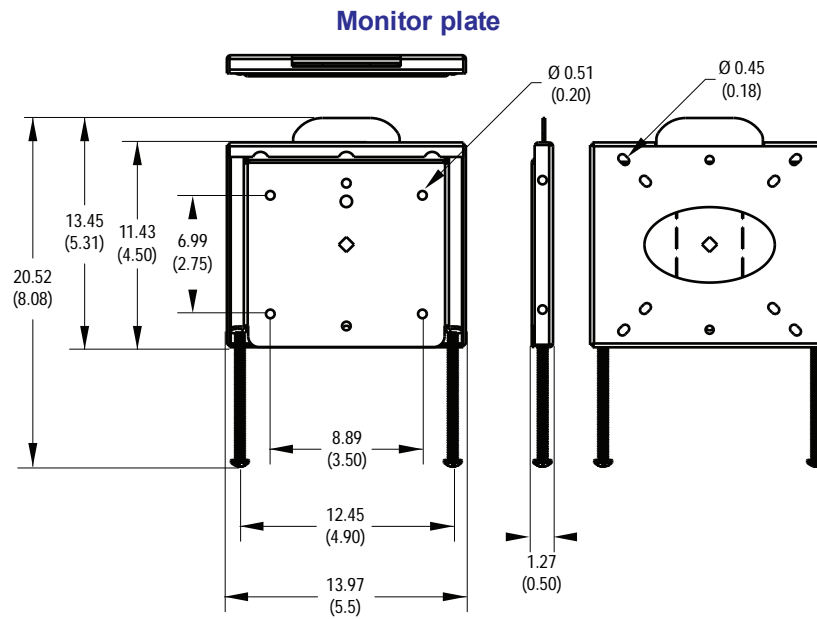


Figure 7: PMCL2-WM product image



Adapter plate

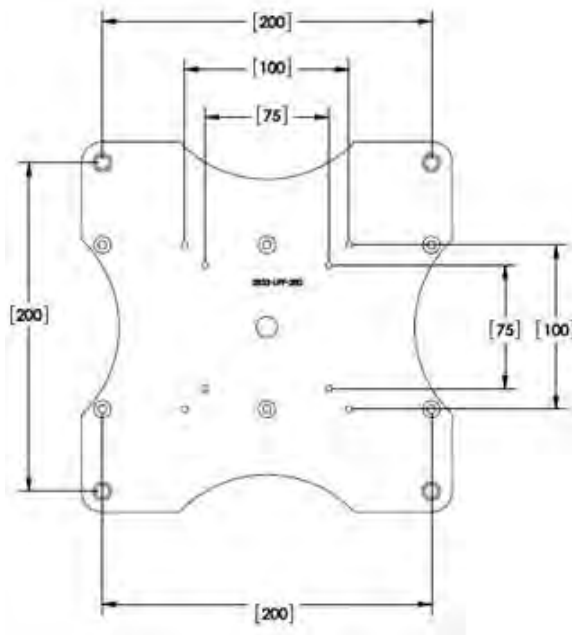


Figure 8: PMCL2-WM dimensional drawing



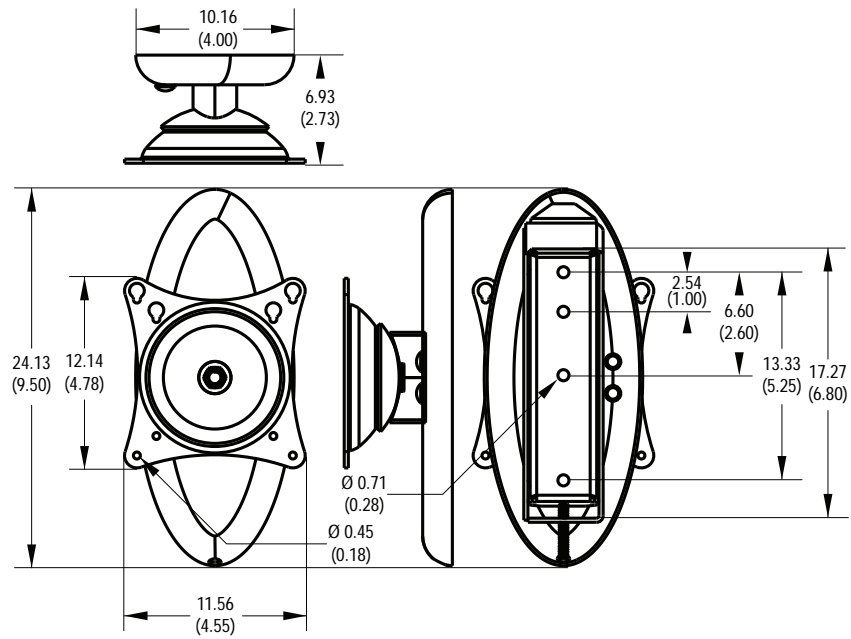
Note: Values in parentheses are inches; all others are centimeters.

PMCL2-WMT Product Image and Dimensional Drawings



Figure 9: PMCL2-WMT product image

Monitor plate



Adapter plate

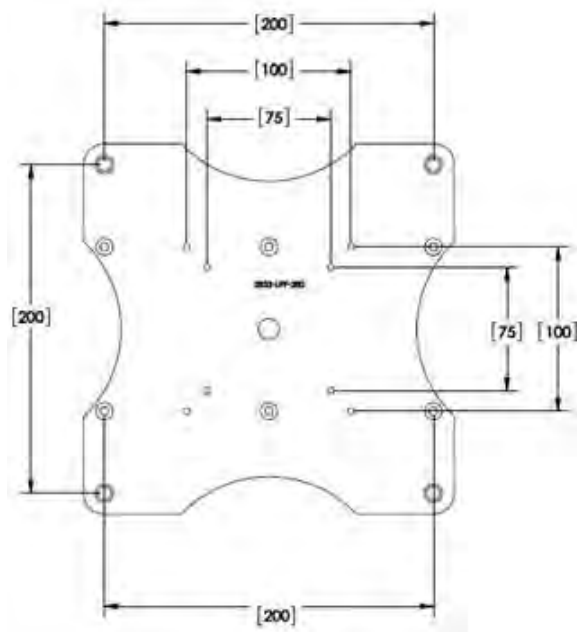


Figure 10: PMCL2-WMT dimensional drawing

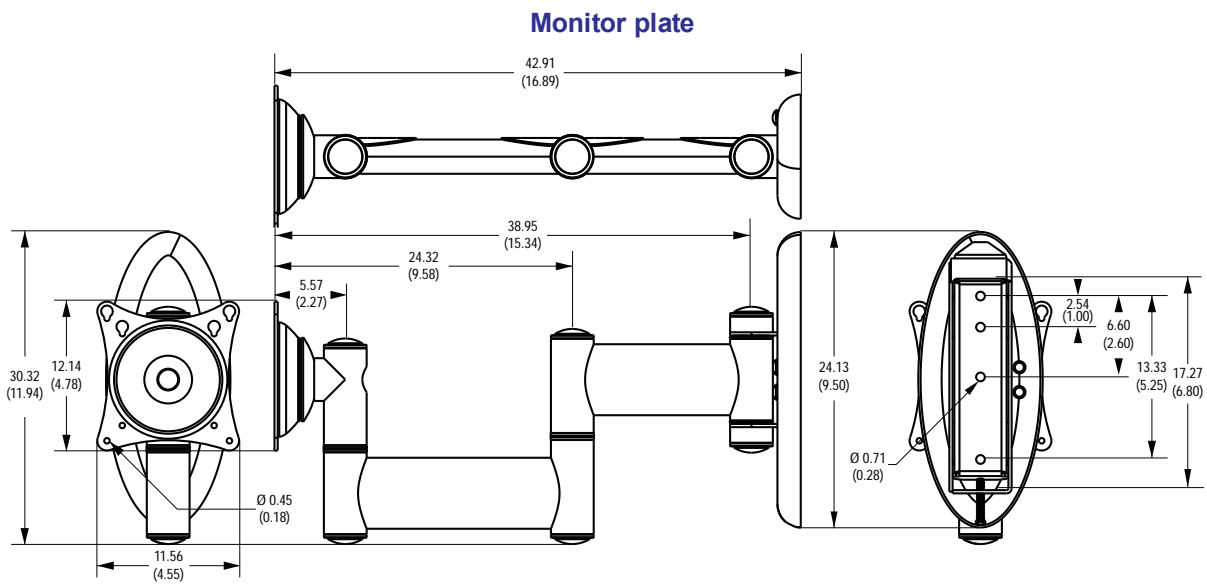


Note: Values in parentheses are inches; all others are centimeters.

PMCL2-WM1A Product Image and Dimensional Drawings



Figure 11: PCML2-WM1A product image



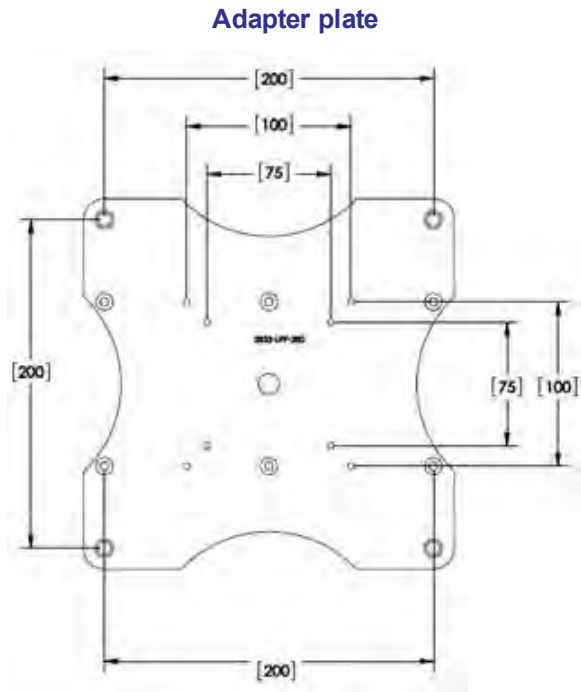



Figure 12: PCML2-WM1A dimensional drawing

 Note: Values in parentheses are inches; all others are centimeters.

Ceiling Mounts

Models

Model	Description
PMCL2-CM	Flat-panel adjustable-height ceiling mount, with no pole adapter
PMCL2-CMPS	Flat-panel adjustable-height ceiling mount, with 13 to 24 in. (33 to 61 cm) pole adapter
PMCL2-CMPL	Flat-panel adjustable-height ceiling mount, with 24 to 46 in. (61 to 117 cm) pole adapter

Mechanical

Parameter	Specification
Tilt/pivot adjustment	15°

General

Parameter	Specification
Included hardware	
PMCL2-CM	PMCL2-CM assembly (1), adapter plate (1), hardware pack (1)

Parameter	Specification
PMCL2-CMPS	PMCL2-CM assembly (1), adapter plate (1), 13 to 24 in. (33 to 61 cm) pole adapter with welded top assembly (1), hardware pack (1)
PMCL2-CMPL	PMCL2-CM assembly (1), adapter plate (1), 24 to 46 in. (61 to 117 cm) pole adapter with welded top assembly (1), hardware pack (1)
Maximum load	50 lb. (22.7 kg)
Dimensions	
PMCL2-CM	8.88 x 9.62 x 3.49 in. (225 x 244 x 89 mm)
PMCL2-CMPS	8.88 x 20.69 - 28.7 x 3.49 in. (225 x 526 - 729 x 89 mm)
PMCL2-CMPL	8.88 x 35.86 - 52.86 x 3.49 in. (225 x 911 - 1343 x 89 mm)
Unit weight	
PMCL2-CM	5.48 lb. (2.5 kg)
PMCL2-CMPS	12.9 lb. (5.85 kg)
PMCL2-CMPL	20.68 lb. (9.4 kg)
Mounting pattern	2.95 x 2.95 in. (75 x 75 mm) to 7.87 x 7.87 in. (200 x 200 mm)
Finish	Black

PMCL2-CM Product Image and Dimensional Drawings



Figure 13: PMCL2-CM product image

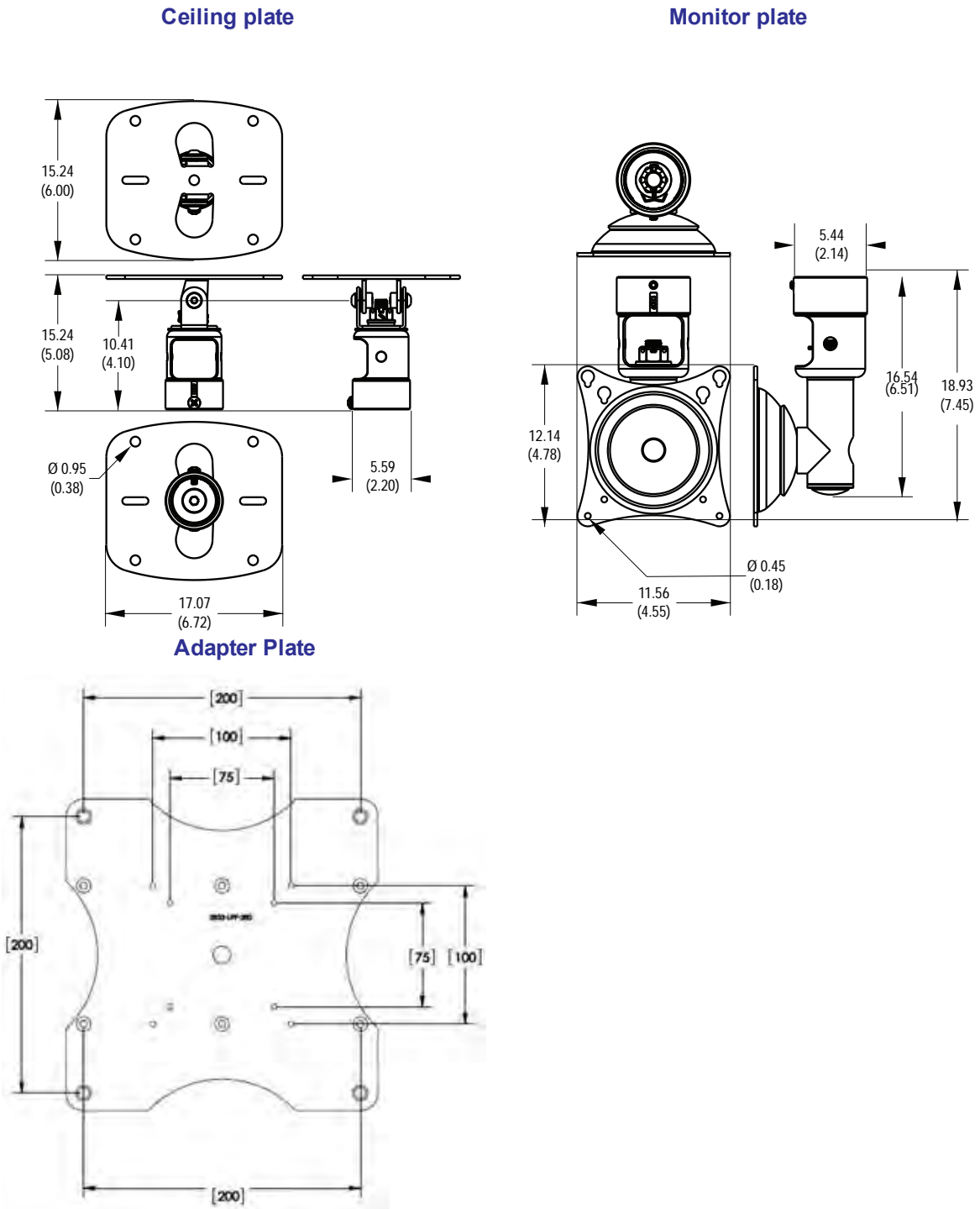



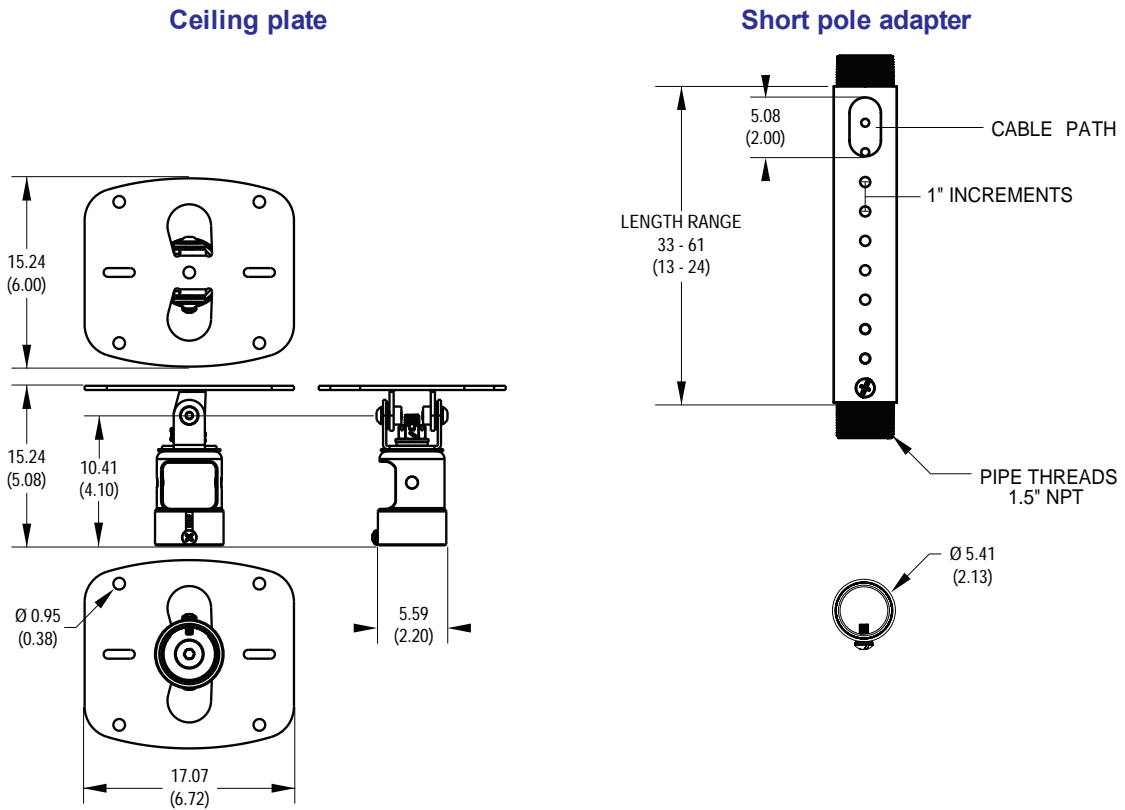
Figure 14: PMCL2-CM (Adjustable-height ceiling-mount with no adapter) dimensional drawing

 Note: Values in parentheses are inches; all others are centimeters.

PMCL2-CMPS Product Image and Dimensional Drawings



Figure 15: PMCL2-CMPS (Adjustable-height ceiling-mount with short adapter) product image



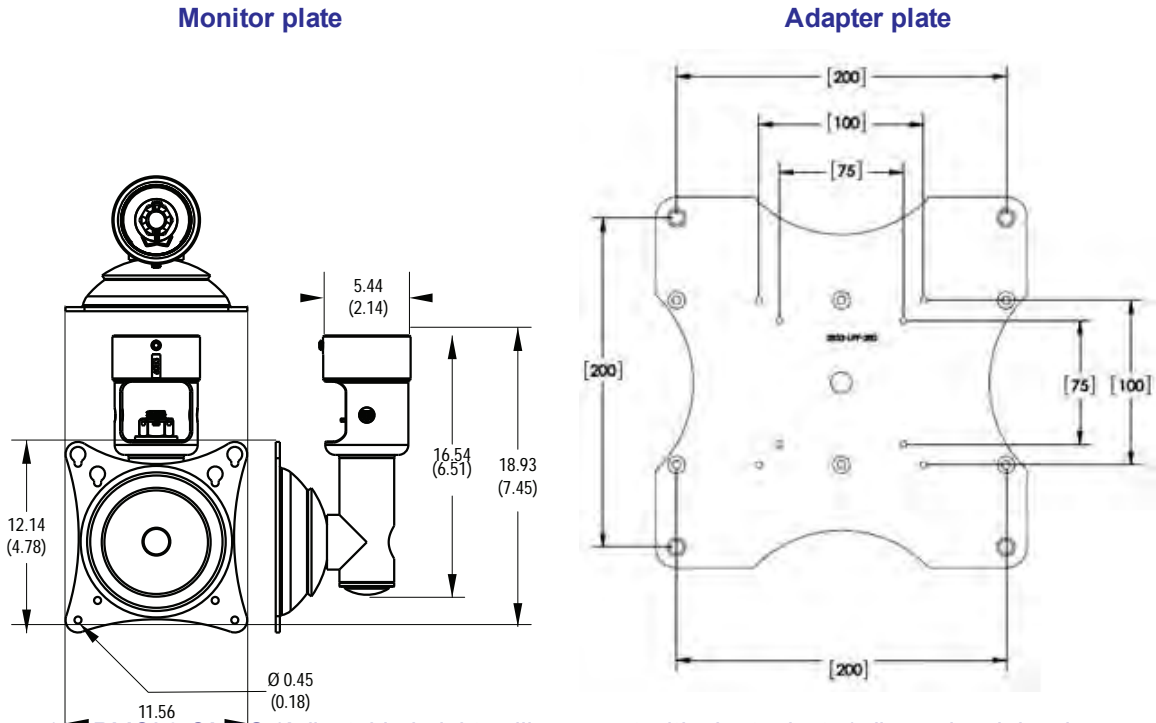



Figure 16: PMCL2-CMPS (Adjustable-height ceiling-mount with short adapter) dimensional drawing

 Note: Values in parentheses are inches; all others are centimeters.

PMCL2-CMPL Product Image and Dimensional Drawings



Figure 17: PMCL2-CMPL (Adjustable-height ceiling-mount with long adapter) product image

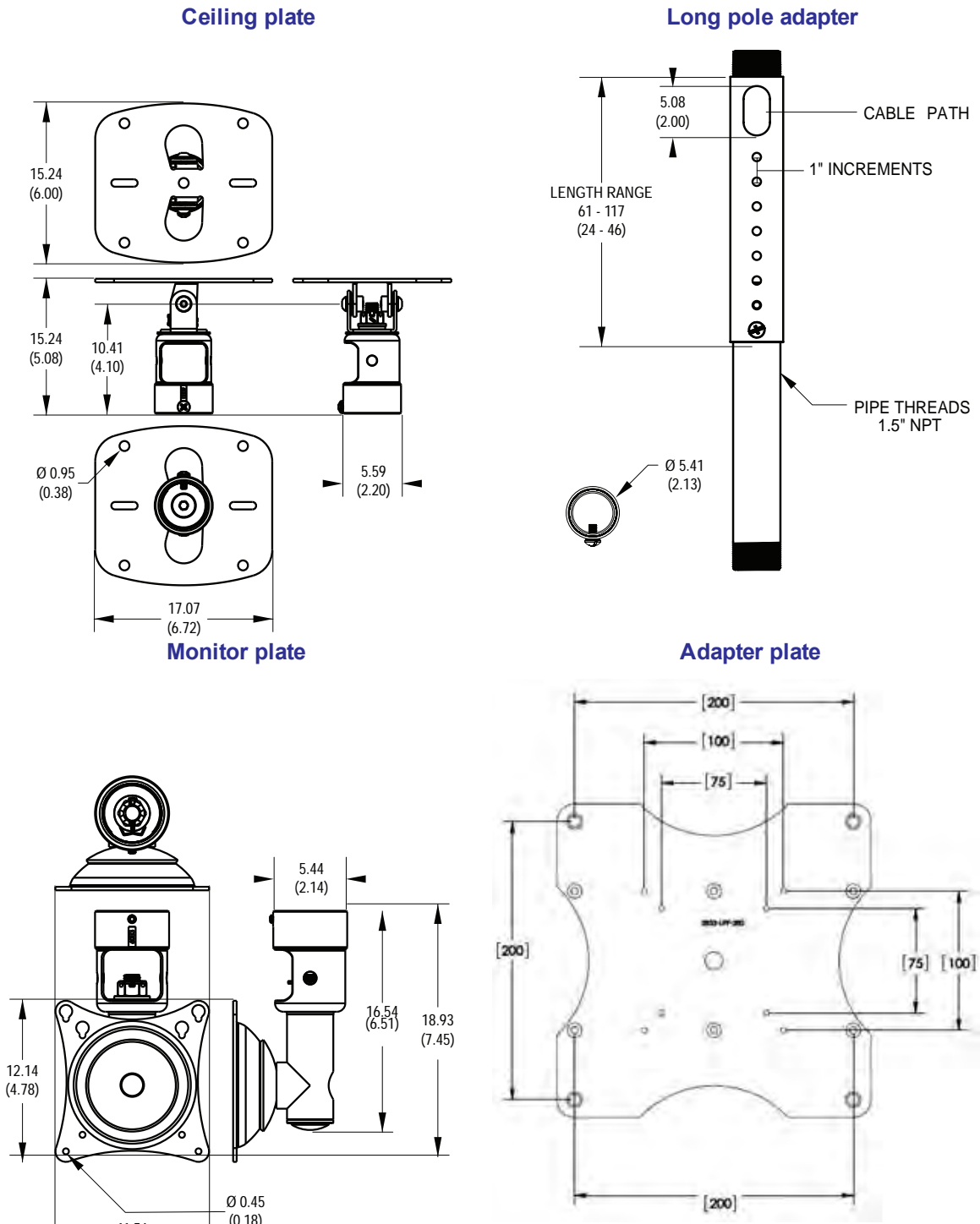


Figure 18: PMCL2-CMPL (Adjustable-height ceiling-mount with long adapter) dimensional drawing



Note: Values in parentheses are inches; all others are centimeters.



International Standards Organization
Registered Firm; ISO 9001 Quality System

Pelco
625 W. Alluvial, Fresno, California 93711 United States
(800) 289-9100 Tel
(800) 289-9150 Fax
+1 (559) 292-1981 International Tel
+1 (559) 348-1120 International Fax
www.pelco.com

⚠ WARNING: Cancer and Reproductive Harm -
www.P65Warnings.ca.gov.
⚠ ADVERTENCIA: Cáncer y Daño Reproductivo -
www.P65Warnings.ca.gov.
⚠ AVERTISSEMENT: Cancer et Troubles de
l'appareil reproducteur - www.P65Warnings.ca.gov.

Pelco, the Pelco logo, and other trademarks associated with Pelco products referred to in this publication are trademarks of Pelco, Inc. or its affiliates. ONVIF and the ONVIF logo are trademarks of ONVIF Inc. All other product names and services are the property of their respective companies. Product specifications and availability are subject to change without notice.

© Copyright 2019, Pelco, Inc. All rights reserved.