

DS-2CD2463G0-IW 6 MP IR Fixed Cube Network Camera



- High quality imaging with 6 MP resolution
- Efficient H.265+ compression technology
- Clear imaging against strong back light due to 120 dB true WDR technology
- Provides real-time security via built-in two-way audio
- Detects human body through passive infrared is sensitive to body temperature (PIR)
- -W: Wi-Fi connection



▪ Specification

Camera	
Image Sensor	1/2.9" Progressive Scan CMOS
Min. Illumination	Color: 0.01 Lux @ (F1.2, AGC ON), 0.028 lux @(F2.0, AGC ON), 0 lux with IR
Shutter Speed	1/3 s to 1/100,000 s
Slow Shutter	Yes
Day & Night	IR Cut Filter
Wide Dynamic Range	120 dB
Angle Adjustment	Pan: 0° to 360°, tilt: 0° to 90°, rotate: 0° to 360°
DNR	3D DNR
Lens	
Lens	2.8/4 mm
Aperture	F2.0
FOV	2.8 mm, horizontal FOV: 97°, vertical FOV: 67°, diagonal FOV: 121° 4 mm, horizontal FOV: 78°, vertical FOV: 53°, diagonal FOV: 98°
Lens Mount	M12
Illuminator	
IR Range	10 m
Wavelength	850 nm
PIR	
PIR Angle	Horizontal: 90°, vertical: 80°
PIR Range	10 m
Video	
Max. Resolution	3072 × 2048
Main Stream	50Hz: 20 fps (3072 × 2048, 3072 × 1728, 2944 × 1656) 25 fps (2560 × 1440, 1920 × 1080, 1280 × 720) 60Hz: 20 fps (3072 × 2048, 3072 × 1728, 2944 × 1656) 30 fps (2560 × 1440, 1920 × 1080, 1280 × 720)
Sub Stream	50Hz: 25 fps (640 × 480, 640 × 360, 320 × 240) 60Hz: 30 fps (640 × 480, 640 × 360, 320 × 240)
Third Stream	50Hz: 25 fps (1280 × 720, 640 × 360, 352 × 288) 60Hz: 30 fps (1280 × 720, 640 × 360, 352 × 240)
Video Compression	Main stream: H.265/H.264 Sub-stream: H.265/H.264/MJPEG Third stream: H.265/H.264
H.264 Type	Main Profile/High Profile
H.265 Type	Main Profile
Video Bit Rate	32 Kbps to 16 Mbps
SVC	Support H.264 and H.265 encoding
Audio	
Environment Noise Filtering	Yes
Audio Sampling Rate	16 kHz
Image	
Image Enhancement	BLC/3D DNR/HLC

Day/Night Switch	Day/Night/Auto/Schedule
Wi-Fi	
Frequency	2.412 GHz to 2.4835 GHz
Channel Bandwidth	20/40 MHz
Security	WPA, WPA2
Transfer Rate	11b: 11 Mbps 11g: 54 Mbps 11n: up to 150 Mbps
Wireless Range	50 m
Wireless Standards	IEEE 802.11b/g/n
Network	
Network Storage	Support Micro SD/SDHC/SDXC card (128 GB), local storage and NAS (NFS, SMB/CIFS), ANR
Simultaneous Live View	Up to 6 channels
User/Host	Up to 32 users. 3 levels: administrator, operator and user
Alarm Trigger	Motion detection, video tampering, network disconnected, IP address conflict, HDD full, HDD error, PIR, illegal login
Interface	
Communication Interface	1 RJ45 10M/100M self-adaptive Ethernet port
Audio	1 built-in mic, 1 built-in speaker, mono sound
On-board Storage	Built-in microSD/SDHC/SDXC slot, up to 128 GB
General	
Reset	Yes
Startup and Operating Conditions	-10 °C to +40 °C (14 °F to +104 °F), humidity 95% or less (non-condensing)
Power Supply	12 VDC ± 25%, PoE (802.3af, class 3)
Power Consumption and Current	12 VDC, 0.5 A, max. 6 W, Ø5.5 mm coaxial plug power; PoE (802.3af, 36 V to 57 V), 0.2 A to 0.1 A, max. 7 W
Material	Plastic
Dimensions	102.8 mm × 65.2 mm × 32.6 mm (4.1" × 2.6" × 1.3")
Weight	Camera: Approx. 128 g (0.3 lb.)
Compression Standard	
H.264+	Main stream supports
H.265+	Main stream supports
Smart Feature-set	
Face Detection	Yes

▪ Available Model

DS-2CD2463G0-IW(2.8 mm, 4 mm)(W)

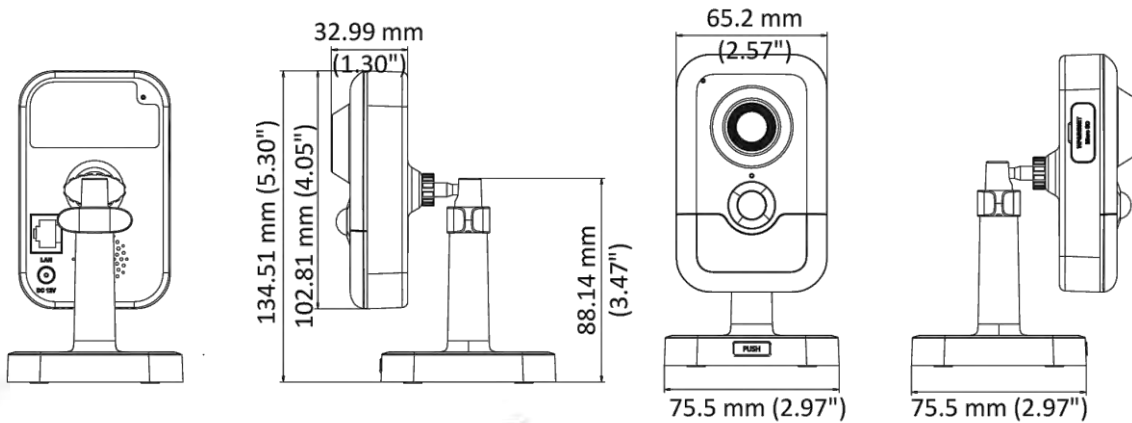
▪ Typical Application

Hikvision products are classified into three levels according to their anti-corrosion performance. Refer to the following description to choose for your using environment.

This model has NO SPECIFIC PROTECTION.

Level	Description
Top-level protection	Hikvision products at this level are equipped for use in areas where professional anti-corrosion protection is a must. Typical application scenarios include coastlines, docks, chemical plants, and more.
Moderate protection	Hikvision products at this level are equipped for use in areas with moderate anti-corrosion demands. Typical application scenarios include coastal areas about 2 kilometers (1.24 miles) away from coastlines, as well as areas affected by acid rain.
No specific protection	Hikvision products at this level are equipped for use in areas where no specific anti-corrosion protection is needed.

Dimension



Distributed by

HIKVISION

Headquarters

No.555 Qianmo Road, Binjiang District,
Hangzhou 310051, China
T +86-571-8807-5998
overseasbusiness@hikvision.com

Hikvision USA
T +1-909-895-0400
sales.usa@hikvision.com

Hikvision Australia
T +61-2-8599-4233
salesau@hikvision.com

Hikvision India
T +91-22-28469900
sales@pramahikvision.com

Hikvision Canada
T +1-866-200-6690
sales.canada@hikvision.com

Hikvision Thailand
T +662-275-9949
sales.thailand@hikvision.com

Hikvision Europe
T +31-23-5542770
sales.eu@hikvision.com

Hikvision Italy
T +39-0438-6902
info.it@hikvision.com

Hikvision Brazil
T +55 11 3318-0050
Latam.support@hikvision.com

Hikvision Turkey
T +90 (216)521 7070- 7074
sales.tr@hikvision.com

Hikvision Malaysia
T +601-7652-2413
sales.my@hikvision.com

Hikvision UK & Ireland
T +01628-902140
sales.uk@hikvision.com

Hikvision South Africa
Tel: +27 (10) 0351172
sale.africa@hikvision.com

Hikvision France
T +33(0)1-85-330-450
info.fr@hikvision.com

Hikvision Kazakhstan
T +7-727-9730667
nikia.panfilov@hikvision.ru

Hikvision Vietnam
T +84-974270888
sales.vt@hikvision.com

Hikvision UAE
T +971-4-4432090
salesme@hikvision.com

Hikvision Singapore
T +65-6684-4718
sg@hikvision.com

Hikvision Spain
T +34-91-737-16-55
info.es@hikvision.com

Hikvision Tashkent
T +99-87-1238-9438
uzb@hikvision.ru

Hikvision Hong Kong
T +852-2151-1761
info.hk@hikvision.com

Hikvision Russia
T +7-495-669-67-99
saleru@hikvision.com

Hikvision Korea
T +82-(0)31-731-8817
sales.korea@hikvision.com

Hikvision Poland
T +48-22-460-01-50
info.pl@hikvision.com

Hikvision Indonesia
T +62-21-2933759
Sales.Indonesia@hikvision.com

Hikvision Colombia
sales.colombia@hikvision.com