

DS-D4207CI-ZWDB



- Each pixel point on the front of the display unit board module is composed of flip-chip red chip, green chip and blue chip package, and each chip is fixed to the circuit board.
- The back of the display unit board module contains components driver ICs, resistors and capacitors, and the display control system connected to the box can display video, images, and text information.
- The cabinet display unit is a front-dimensional magnetic suction tool, which is equipped with professional magnetic suction tools to complete the installment and debugging
- High Reliability Flip Chip
- Using constant current to drive the chip, uniform light emission, low power consumption
- High contrast ratio can achieve good display effect
- Light weight, easy to Installation and disassembly
- Modular design The whole box is divided into two unit structures: cabinet kits, module brackets



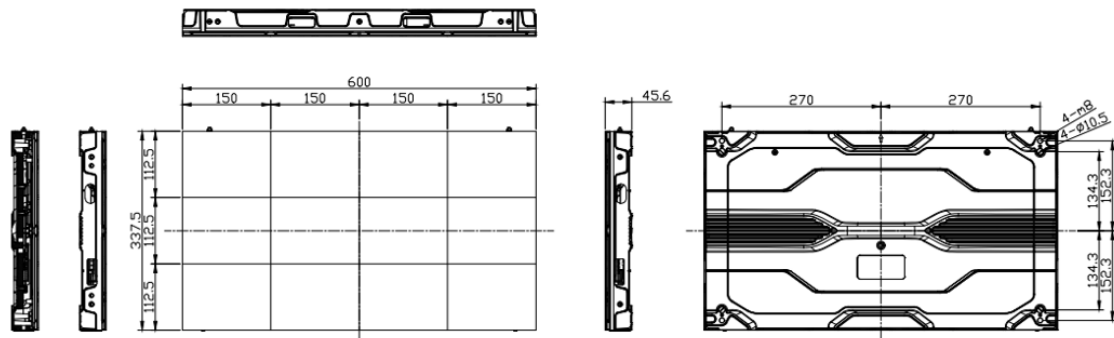
▪ Specification

Model		DS-D4207CI-ZWDB
Cabinet	Pixel Configuration	Flip COB Chip
	Pixel Pitch Category	P0.7
	Pixel Pitch	0.78 mm
	Modules Component	2 Panel
	Dimensions (W × H × D)	600 mm × 337.5 mm × 45.6 mm (23.62" x 13.29" x 1.80")
	Resolution	768 × 432
	Area	0.2025 m ²
	Weight	6.5 Kg (14.3 lb)
	Pixel Density	1638400 dots/m ²
	Lamp Board Housing	No housing
	Cabinet Material	Die-casting Aluminum
	Maintenance Method	Front & Rear
	Cabinet Flatness	0.1 mm
	Protection Level	Front protection level IP65
Display	White Balance Brightness	600 cd/m ²
	Color Temperature	3000 K to 10000 K adjustable
	Viewing Angle	Horizontal 160°, vertical 160°
	Contrast Ratio	15000 : 1
	Color Uniformity	≤ ± 0.003Cx, Cy
	Brightness Uniformity	≥ 97%
Processing Performance	Driving Method	Constant current driving
	Frame Frequency	60 Hz
	Refresh Rate	Up to 3840 Hz
	Grey Level	Up to 16 bit
	Display Color	281 trillion
Power	Power Supply	AC100~240V(50-60Hz)
	Max. Consumption	≤ 470 W/m ²
	Average Consumption	< 157 W/m ²
Working Environment	Working Temperature	-10 °C to 40 °C (14 °F to 104 °F)
	Working Humidity	10%~80%RH
	Storage Humidity	10%~80%RH
	Storage Temperature	-40 °C to 60 °C (-40 °F to 140 °F)
General	Gross Weight	14.5 Kg (32.0 lb)
	Package Dimension (W × H × D)	712 mm × 362 mm × 448 mm (1 Package 4)(28.03" x 14.25" x 17.64")
	Lifespan	Lamp 100,000 hours

Available Model

DS-D4207CI-ZWDB

Dimension



Distributed by



Headquarters

No.555 Qianmo Road, Binjiang District,
Hangzhou 310051, China
T +86-571-8807-5998
overseasbusiness@hikvision.com

Hikvision USA
T +1-909-895-0400
sales.usa@hikvision.com

Hikvision Australia
T +61-2-8599-4233
salesau@hikvision.com

Hikvision India
T +91-22-28469900
sales@pramahikvision.com

Hikvision Canada
T +1-866-200-6690
sales.canada@hikvision.com

Hikvision Thailand
T +662-275-9949
sales.thailand@hikvision.com

Hikvision Europe
T +31-23-5542770
sales.eu@hikvision.com

Hikvision Italy
T +39-0438-6902
info.it@hikvision.com

Hikvision Brazil
T +55 11 3318-0050
Latam.support@hikvision.com

Hikvision Turkey
T +90 [216]521 7070- 7074
sales.tr@hikvision.com

Hikvision Malaysia
T +601-7652-2413
sales.my@hikvision.com

Hikvision UK & Ireland
T +01628-902140
sales.uk@hikvision.com

Hikvision South Africa
Tel: +27 (10) 0351172
sale.africa@hikvision.com

Hikvision France
T +33(0)1-85-330-450
info.fr@hikvision.com

Hikvision Kazakhstan
T +7-727-9730667
nikia.panfilov@hikvision.ru

Hikvision Vietnam
T +84-974270888
sales.vt@hikvision.com

Hikvision UAE
T +971-4-4432090
salesme@hikvision.com

Hikvision Singapore
T +65-6684-4718
sg@hikvision.com

Hikvision Spain
T +34-91-737-16-55
info.es@hikvision.com

Hikvision Tashkent
T +99-87-1238-9438
uzb@hikvision.ru

Hikvision Hong Kong
T +852-2151-1761
info.hk@hikvision.com

Hikvision Russia
T +7-495-669-67-99
saleru@hikvision.com

Hikvision Korea
T +82-(0)31-731-8817
sales.korea@hikvision.com

Hikvision Poland
T +48-22-460-01-50
info.pl@hikvision.com

Hikvision Indonesia
T +62-21-2933759
Sales.Indonesia@hikvision.com

Hikvision Colombia
sales.colombia@hikvision.com