

DS-2XS6A47G1-LS/C36S80

4 MP ColorVu Fixed Bullet Solar 4G Camera Kit

ColorVu

AcuSense



It can be used in the areas that are not suitable for laying wired network and electric supply lines, or used for the scenes that feature tough environment and have high demanding for device stability. It can be used for monitoring the farms, electric power cables, water and river system, oil pipelines and key forest areas.

It also can be used in the temporary monitoring scenes, such as the large-scale competitions, the sudden public activity, the temporary traffic control and the city construction.

Hikvision ColorVu technology provides 24/7 vivid colorful images with F1.0 advanced lenses and high performance sensors. F1.0 super-aperture collects more light to produce brighter images. Advanced sensor technology can vastly improve the utilization of available light.

Empowered by deep learning algorithms, Hikvision AcuSense technology brings human and vehicle targets classification alarms to front- and back-end devices. The system focuses on human and vehicle targets, vastly improving alarm efficiency and effectiveness.

- High quality imaging with 2560 × 1440@ 15 fps resolution
- 24/7 Colorful imaging
- Clear imaging against strong back light due to 130 dB true WDR technology
- Focus on human and vehicle targets classification based on deep learning
- 80 W photovoltaic panel, 360 WH chargeable lithium battery
- Support battery management, battery display, battery high-low temperature protection, charge-discharge protection, low-battery sleep protection and remote wakeup
- LTE-TDD/LTE-FDD/WCDMA/GSM 4G wireless network transmission, support Micro SIM card
- Camera: Water and dust resistant (IP67)
- Built-in 64 GB eMMC storage

▪ Specification

Camera	
Image Sensor	1/1.8" Progressive Scan CMOS
Max. Resolution	2560 × 1440
Min. Illumination	Color: 0.0005 Lux @ (F1.0, AGC ON), B/W: 0 Lux with white light
Shutter Time	1 s to 1/100,000 s
Lens	
Focal Length & FOV	2.8 mm, horizontal FOV: 105.7°, vertical FOV: 57.3°, diagonal FOV: 124.9° 4 mm, horizontal FOV: 88.7°, vertical FOV: 44.7°, diagonal FOV: 107.5°
Lens Type	Fixed focal lens, 2.8 and 4 mm optional
Iris Type	Fixed
Lens Mount	M16
Aperture	F1.0
DORI	
DORI	2.8 mm: D: 58 m, O: 23 m, R: 11 m, I: 5.5 m 4 mm: D: 77 m, O: 30 m, R: 15 m, I: 7.5m
Illuminator	
Supplement Light Type	White Light
Supplement Light Range	Up to 30 m
Smart Supplement Light	Yes
Video	
Main Stream	50 Hz: 12.5 fps (2560 × 1440, 1920 × 1080, 1280 × 720) 60 Hz: 15 fps (2560 × 1440, 1920 × 1080, 1280 × 720)
Sub-Stream	50 Hz: 12.5 fps (640 × 480, 640 × 360) 60 Hz: 15 fps (640 × 480, 640 × 360)
Third Stream	50 Hz: 1 fps (1280 × 720, 640 × 480) 60 Hz: 1 fps (1280 × 720, 640 × 480)
Video Compression	Main stream: H.264/H.265 Sub-stream: H.264/H.265/MJPEG Third Stream: H.265/H.264 *Performance mode: main stream supports H.264+, H.265+
Video Bit Rate	32 Kbps to 8 Mbps
H.264 Type	Baseline Profile, Main Profile, High Profile
H.265 Type	Main Profile
Bit Rate Control	CBR/VBR
Scalable Video Coding (SVC)	H.264 and H.265 encoding
Region of Interest (ROI)	4 fixed regions for main stream
Audio	
Audio Compression	G.711/G.722.1/G.726/MP2L2/PCM/MP3/AAC-LC
Audio Bit Rate	64 Kbps (G.711ulaw/G.711alaw)/16 Kbps (G.722.1)/16 Kbps (G.726)/32 to 192 Kbps (MP2L2)/8 to 320 Kbps (MP3)/16 to 64 Kbps (AAC-LC)
Audio Sampling Rate	8 kHz/16 kHz/32 kHz/44.1 kHz/48 kHz
Environment Noise Filtering	Yes
Network	
Simultaneous Live View	Up to 6 channels
API	Open Network Video Interface (Profile S, Profile G, Profile T), ISAPI, SDK, ISUP

Protocols	TCP/IP, ICMP, HTTP, HTTPS, FTP, DHCP, DNS, DDNS, RTP, RTSP, RTCP, NTP, UPnP, SMTP, SNMP, IGMP, 802.1X, QoS, IPv6, UDP, Bonjour, SSL/TLS, WebSocket, WebSockets
User/Host	Up to 32 users. 3 user levels: administrator, operator and user
Security	Password protection, complicated password, HTTPS encryption, 802.1X authentication (EAP-TLS, EAP-LEAP, EAP-MD5), watermark, IP address filter, basic and digest authentication for HTTP/HTTPS, WSSE and digest authentication for Open Network Video Interface, RTP/RTSP over HTTPS, control timeout settings, TLS 1.2, TLS 1.3
Network Storage	NAS (NFS, SMB/CIFS), auto network replenishment (ANR) Together with high-end Hikvision memory card, memory card encryption and health detection are supported.
Client	Hik-Connect (proactive mode also supports), Hik-central Professional
Web Browser	Plug-in required live view: IE 10+ Plug-in free live view: Chrome 57.0+, Firefox 52.0+ Local service: Chrome 57.0+, Firefox 52.0+
Mobile Communication	
SIM Card Type	MicroSIM
Frequency	<p>DS-2XS6A47G1-LS/C32S80:</p> <p>LTE-TDD: Band38/40/41</p> <p>LTE-FDD: Band1/3/5/7/8/20/28</p> <p>WCDMA: Band1/5/8</p> <p>GSM: 850/900/1800MHz</p> <p>DS-2XS6A47G1-LS/C32S80 (US):</p> <p>LTE-FDD: Band2/4/5/12/13/66/71</p> <p>WCDMA: Band2/4/5</p> <p>DS-2XS6A47G1-LS/C32S80 (LA):</p> <p>LTE-TDD: Band38/40</p> <p>LTE-FDD: Band1/2/3/4/5/7/8/12/17/28/66</p> <p>WCDMA: Band1/2/3/4/5/8</p> <p>GSM: 850/900/1800/1900MHz</p> <p>DS-2XS6A47G1-LS/C32S80 (JP):</p> <p>LTE-TDD: Band41</p> <p>LTE-FDD: Band1/3/8/11/18/19/21/26/28</p> <p>WCDMA: Band1/6/8/19</p>
Standard	<p>DS-2XS6A47G1-LS/C32S80: LTE-TDD/LTE-FDD/WCDMA/GSM</p> <p>DS-2XS6A47G1-LS/C32S80 (US): LTE-FDD/WCDMA</p> <p>DS-2XS6A47G1-LS/C32S80 (LA): LTE-TDD/LTE-FDD/WCDMA/GSM</p> <p>DS-2XS6A47G1-LS/C32S80 (JP): LTE-TDD/LTE-FDD/WCDMA</p>
Image	
Wide Dynamic Range (WDR)	130 dB
Day/Night Switch	Day, Night, Auto, Schedule
Image Enhancement	BLC, HLC, 3D DNR, Defog
Image Parameters Switch	Yes
Image Settings	Saturation, brightness, contrast, sharpness, gain, white balance adjustable by client software or web browser

SNR	≥ 52 dB
Privacy Mask	4 programmable polygon privacy masks
Interface	
RS-485	1 RS-485 (half duplex, connect to external battery)
Audio	1 input (line in), max. input amplitude: 3.3 Vpp, input impedance: 4.7 KΩ, interface type: non-equilibrium, 1 output (line out), max. output amplitude: 3.3 Vpp, output impedance: 100 Ω, interface type: non-equilibrium
Alarm	1 input(s), 1 output(s) (max. 12 VDC, 1 A)
On-Board Storage	Built-in memory card slot, support microSD card, up to 256 GB; Built-in 64 GB eMMC storage
Reset Key	Yes
Ethernet Interface	1 RJ45 10 M/100 M self-adaptive Ethernet port
Power Output	12 VDC, max. 1000 mA
Event	
Basic Event	Motion detection, video tampering alarm, exception (network disconnected, IP address conflict, illegal login, HDD error)
Smart Event	Line crossing detection, Intrusion detection, region entrance detection, region exiting detection, unattended baggage detection, object removal detection, scene change detection, face detection *Smart events are only supported under performance mode.
Linkage	Upload to FTP/NAS/memory card, notify surveillance center, send email, trigger recording, trigger capture, trigger alarm output, audible warning
General	
Power	12 VDC ± 20%, 4-pin M8 waterproof connector 1. Standby power consumption: 53 mW 2. The average power consumption of 24 hours: 2 W (4G transmission is excluded). 3. The max. power consumption: 3.2 W
Material	Front cover: metal, body: metal, bracket: metal
Dimension	882.6 mm × 706.3 mm × 760 mm (34.8" × 27.8" × 29.9") (Max. size of the camera after it is completely assembled)
Package Dimension	862 mm × 352 mm × 762 mm (33.9" × 13.9" × 30.0")
Weight	Approx. 30.2 kg (66.5 lb.)
With Package Weight	Approx. 36.3 kg (80.0 lb.)
Storage Conditions	-20 °C to 60 °C (-4 °F to 140 °F). Humidity 95% or less (non-condensing)
Startup and Operating Conditions	-20 °C to 60 °C (-4 °F to 140 °F). Humidity 95% or less (non-condensing)
Language	33 languages: English, Russian, Estonian, Bulgarian, Hungarian, Greek, German, Italian, Czech, Slovak, French, Polish, Dutch, Portuguese, Spanish, Romanian, Danish, Swedish, Norwegian, Finnish, Croatian, Slovenian, Serbian, Turkish, Korean, Traditional Chinese, Thai, Vietnamese, Japanese, Latvian, Lithuanian, Portuguese (Brazil), Ukrainian
General Function	Anti-banding, heartbeat, mirror, privacy mask, flash log, password reset via email, pixel counter
Battery	
Battery Type	Lithium
Capacity	360 WH (90 WH for each battery)

Battery Voltage	10.8 V
Max. Output Voltage	12.6 V
Operating Temperature	Charging: -20 °C to 45 °C (-4 °F to 113 °F) Discharging: -20 °C to 60 °C (-4 °F to 140 °F)
Cycle Lifetime	Performance mode: 5 days, Proactive mode: 8 days, Standby mode: 80 days *in cloudy/rainy days (25 °C)
Battery Life	More than 500 cycles
Battery Weight	Approx. 3.3 kg (7.3 lb.)
Extended Dimension	221 mm × 84 mm × 37.3 mm (8.7" × 3.3" × 1.5")
Approval	
EMC	CE-EMC (EN 55032: 2015, EN 61000-3-2:2019, EN 61000-3-3: 2013+A1:2019, EN 50130-4: 2011+A1: 2014); RCM (AS/NZS CISPR 32: 2015); FCC (47 CFR Part 15, Subpart B); IC (ICES-003: Issue 7)
RF	CE: CE-RED (EN 301908-1,EN 301908-2,EN 301908-13, EN 301511,EN 301489-1,EN 301489-52,EN 62133); ICASA: same as CE-RED FCC ID (47 CFR Part15 Subpart C); IC ID (RSS-132 Issue 3, RSS-133 Issue 6, RSS-139 Issue 3, RSS-130 Issue 2, RSS-102 Issue 5); MIC (Article 49-6-4 and 49-6-5 the relevant articles and MIC Notice No. 1299 of the Ordinance Regulating Radio Equipment)
Safety	CB (IEC 62368-1:2014+A11) CE-LVD (EN 62368-1:2014/A11:2017) LOA (IEC/EN 60950-1)
Environment	CE-RoHS (2011/65/EU); WEEE (2012/19/EU); Reach (Regulation (EC) No 1907/2006)
Protection	Camera: IP67 (IEC 60529-2013) Wind resistance 12 level, up to 40 m/s wind speed resistance

▪ Typical Application

Hikvision products are classified into three levels according to their anti-corrosion performance. Refer to the following description to choose for your using environment.

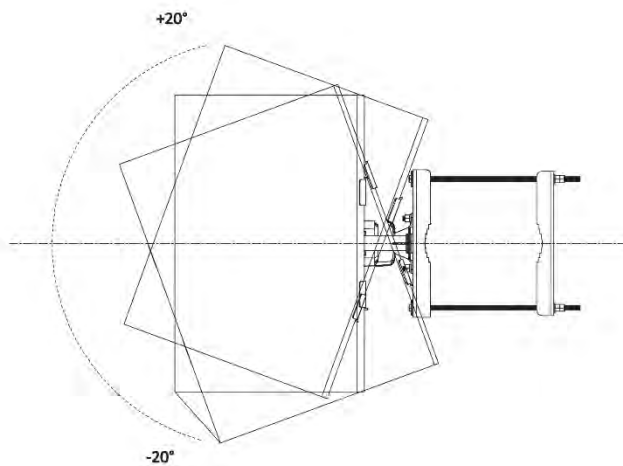
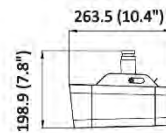
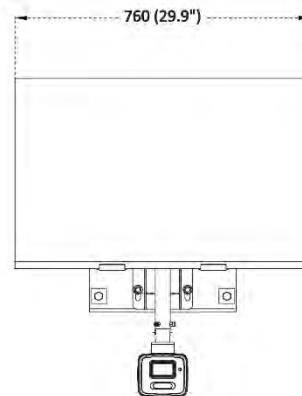
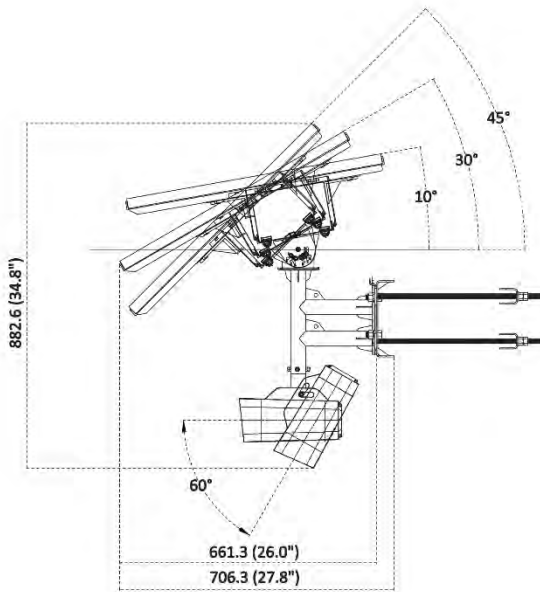
This model has NO SPECIFIC PROTECTION.

Level	Description
Top-level protection	Hikvision products at this level are equipped for use in areas where professional anti-corrosion protection is a must. Typical application scenarios include coastlines, docks, chemical plants, and more.
Moderate protection	Hikvision products at this level are equipped for use in areas with moderate anti-corrosion demands. Typical application scenarios include coastal areas about 2 kilometers (1.24 miles) away from coastlines, as well as areas affected by acid rain.
No specific protection	Hikvision products at this level are equipped for use in areas where no specific anti-corrosion protection is needed.

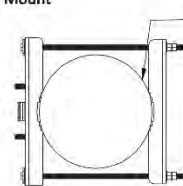
▪ Available Model

DS-2XS6A47G1-LS/C36S80(2.8/4 mm)

▪ **Dimension**



Pole Mount



Diameter range:
160 to 290 mm (6.3" to 11.4")

Unit: mm (inch)

Headquarters

No.555 Qianmo Road, Binjiang District,
Hangzhou 310051, China
T +86-571-8807-5998
www.hikvision.com

Follow us on social media to get the latest product and solution information.

