

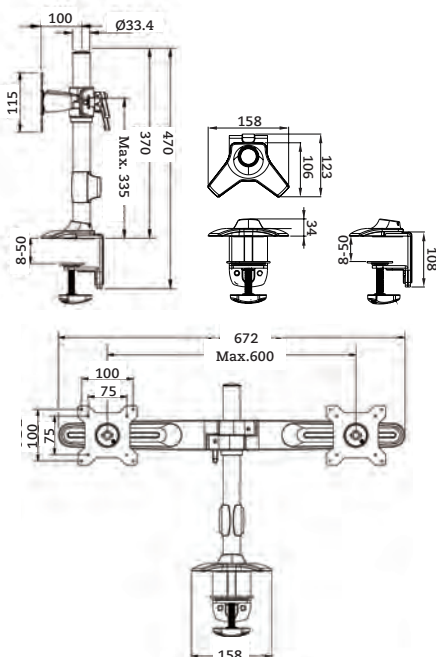
DMC-02D



Enhance space utilisation for limited working area with the clamp-based AG Neovo DMC-02D dual-display desk mount.

Control over dual display images and save space with the DMC-02D desk clamp. The ergonomic design allows rapid tilt, swivel, rotation as well as height adjustment. With the sturdy hinges and body structure, the DMC-02D bears display weight up to 12 kg per hinge and endures long time operations. Compatible with VESA standard, it supports a wide range of displays under 24".

- > Smart cable management and clamp base free up space
- > Intuitive installation
- > Selective materials for durable product life time
- > Compatible with VESA standard (75 x 75 mm and 100 x 100 mm)
- > Height adjustable design
- > Swivel left and right for -20° to 20° per hinge
- > 40° of tilt up and down per hinge
- > Rotate for 360° per hinge
- > Weight capacity: 12 kg per hinge



Specifications

Mounting	VESA Standard	75 x 75 mm / 100 x 100 mm
Loading	Weight Capacity	12 kg (26.5 lbs) per hinge
Adjustment (Mounting Bracket)	Rotate	360°
	Swivel	- 20° ~ + 20° per hinge
	Tilt	- 20° ~ + 20° per hinge
Exterior	Material	Steel, Aluminium alloy, Plastic
	Colour	Black & Silver
Dimensions	Net (W x H x D)	672 x 470 x 144 mm (26.5" x 18.5" x 5.7")
	Packing (W x H x D)	602 x 143 x 218 mm (23.7" x 5.6" x 8.6")
Weight	Net Weight	3.3 kg (7.4 lbs)
	Gross Weight	4.0 kg (8.9 lbs)
Packing	1 Carton	3 sets
	1 Pallet	96 sets