

DS-D2055HE-G LCD Display



The DS-D2055HE-G LCD display uses an industry-level extreme-narrow bezel design, which enables a bezel width of 1.8 mm between neighboring displays. The adopted direct-lit LED backlighting technology helps achieve ultra-high and uniform brightness of 700 cd/m² without boundary shadows. The display has abundant interfaces for video inputs, such as DVI, VGA, HDMI, and DP.

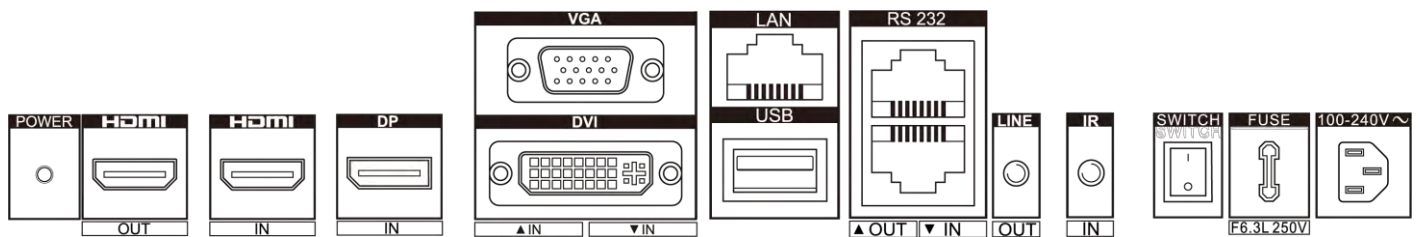
- 4K signal input, auto loop up to 30 screens with HDMI interfaces
- Switching between three picture modes: Monitoring, Meeting, and Movie
- Factory calibration for color and brightness uniformity
- Direct-lit LED backlight with uniform brightness and no boundary shadows
- 1920 × 1080 resolution, 178° viewing angle
- Extreme-narrow 1.8 mm bezel design
- Anti-glare, high definition, high brightness, high color gamut, and vivid images with rich colors
- Stable and 24-hour continuous working
- Metal casing for preventing from radiation and magnetic & electric field interference
- Wall-mount and modular brackets available to meet various installation requirements

▪ Specification

| | Model | DS-D2055HE-G |
|----------------------------|--------------------------------|--|
| Display | Screen Size | 55 inch |
| | Active Display Area | 1209.6 (H) mm × 680.4 (V) mm |
| | Backlight | Direct-lit LED backlight |
| | Pixel Pitch | 0.63 mm |
| | Physical Seam | 1.8 mm |
| | Bezel Width | 1.3 mm (top/left), 0.5 mm (bottom/right) |
| | Resolution | 1920 × 1080@60 Hz |
| | Brightness | 700 cd/m ² |
| | Viewing Angle | Horizontal 178°, vertical 178° |
| | Color Depth | 10 Bit, 1.06 B |
| | Contrast Ratio | 1100:1 |
| | Response Time | 8 ms |
| | Color Gamut | 72%NTSC |
| | Surface Treatment | Haze 28%, 3H |
| Interface | Video & Audio Input | VGA × 1, HDMI × 1, DVI × 1, DP × 1, USB × 1 |
| | Video & Audio Output | HDMI × 1 |
| | Control Interface | RS-232 IN × 1, RS-232 OUT × 1 |
| Power | Power Supply | 100-240 VAC, 50/60 Hz |
| | Power Consumption | ≤ 230 W |
| | Standby Consumption | ≤ 0.5 W |
| Working Environment | Working Temperature | 0 °C to 40 °C (32 °F to 104 °F) |
| | Working Humidity | 10% to 80% RH (non-condensing) |
| | Storage Temperature | -20 °C to 60 °C (-4 °F to 140 °F) |
| | Storage Humidity | 10% to 90% RH (non-condensing) |
| General | Casing Material | SGCC |
| | VESA | 600 (H) mm × 400 (V) mm |
| | Product Dimensions (W × H × D) | 1212.21 (W) mm × 683.06 (H) mm × 69.3 (D) mm (47.72" × 26.89" × 2.73") |
| | Package Dimensions (W × H × D) | 1404 (W) mm × 910 (H) mm × 231 (D) mm (55.28" × 35.83" × 9.09") |
| | Net Weight | 22.5 ± 0.5 kg (49.6 ± 1.1 lb) for single display |
| | Gross Weight | 41.2 ± 0.5 kg (90.8 ± 1.1 lb) for carton with a single display |
| | Packing List | Carton with a single display: LCD display × 1, power cable × 1, network cable × 1, 2-meter HDMI cable × 1, screw × 4, remote control × 1, IR receiver × 1, RS-232 converter × 1, quick start guide (multilingual) × 1, quick start guide (English) × 1 |

Physical Interface

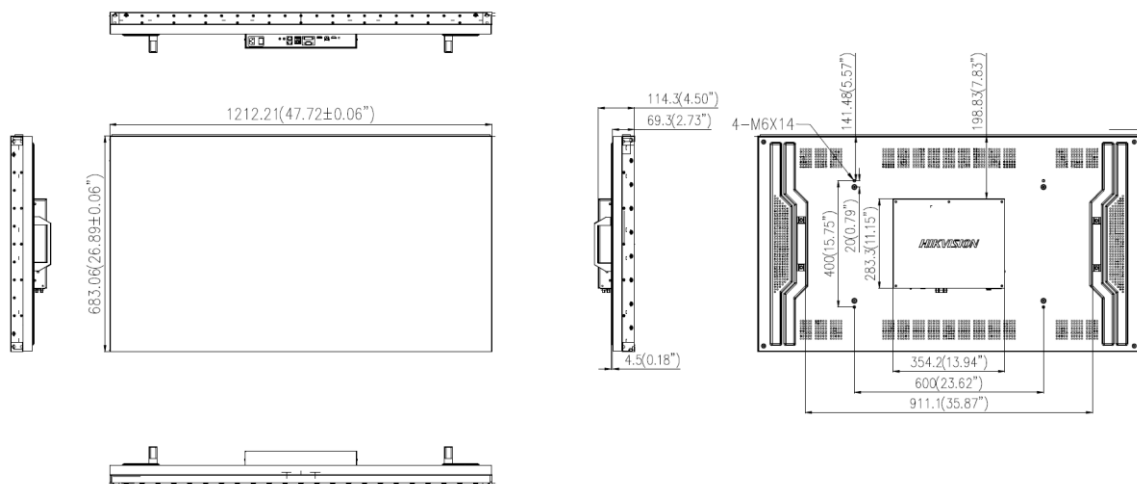
| Interface | Description | Interface | Description |
|-----------|---|------------|---|
| POWER | Power indicator | DVI IN | DVI-I input interface for digital signals |
| LINE OUT | Audio output interface for analog signals | RS 232 OUT | Serial loopback output interface |
| HDMI OUT | HDMI output interface for digital signals | RS 232 IN | Serial input interface |
| HDMI IN | HDMI input interface for digital signals | USB | USB interface |
| DP IN | DP input interface for digital signals | IR IN | IR input interface |
| VGA IN | VGA input interface for analog signals | SWITCH | Switch button |
| 100-240V~ | Power input | | |



Available Model

DS-D2055HE-G

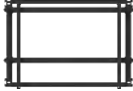



Dimension



Unit: mm (inch)

▪ **Accessory**

▪ **Optional**

| DS-DN4655W/U Wall-mounted Bracket | DS-DN55E4M/F Modular Bracket (Frame) | DS-DN55E4M/B Modular Bracket (Base) | DS-DN5501W Wall-mounted Bracket |
|---|---|---|---|
|  |  |  |  |

Headquarters

No.555 Qianmo Road, Binjiang District,
Hangzhou 310051, China
T +86-571-8807-5998
www.hikvision.com



Follow us on social media to get the latest product and solution information.



Hikvision



HikvisionHQ



HikvisionHQ



Hikvision_Global



Hikvision
Corporate Channel



hikvisionhq